



ITS 3100 A (BR) and ITS 4100 A (BR) Front Panel Mount Square Flange Receptacle Assembly with Backshell for Termination of UNI4883 Rubber Conduits

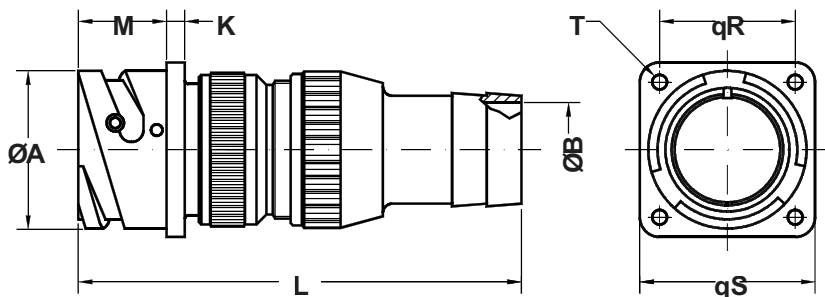
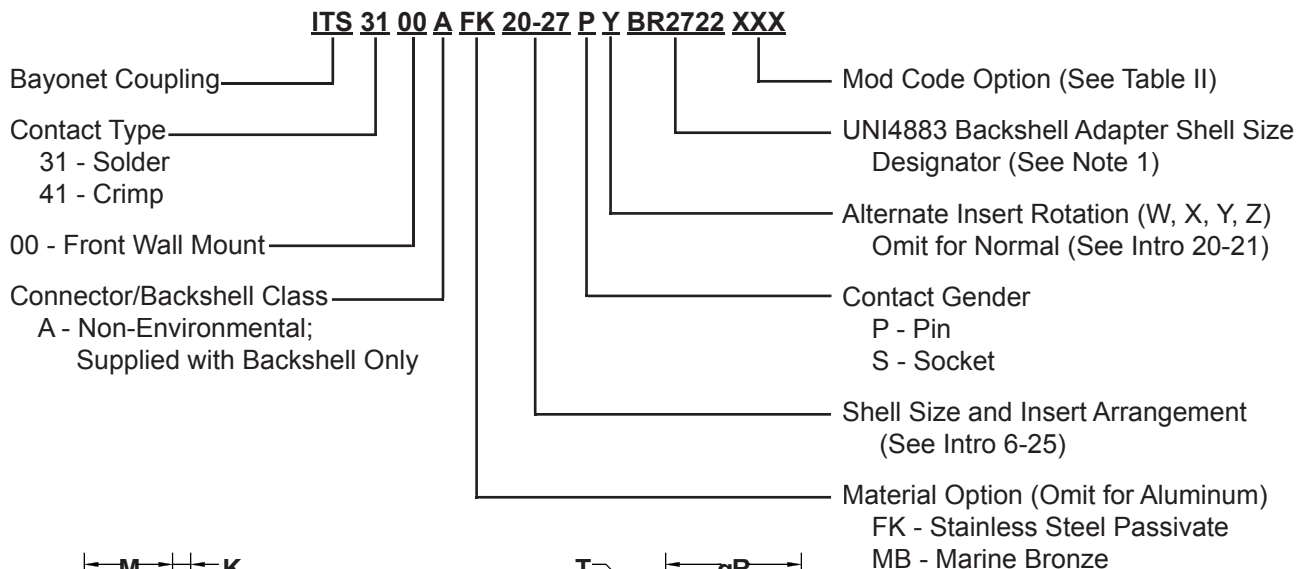


TABLE II: MODIFICATION CODES

CONTACT OPTIONS	
Sym	Description
B0	Connector less contacts
B1	Connector with gold plated contacts
Omit for standard version (Silver Plated)	

TABLE II (CONT.): MODIFICATION CODES

FINISH OPTIONS	
Sym	Description
F2	Bright Nickel Plating
F6	Black Electrodeposited Paint
F7	Black Zn-Co Plating
F8	Olive Drab Zn-Co Plating
Omit for Standard Version (Cad/Olive Drab)	

Application Notes:

1. Front panel mount square flange receptacle with rear-end backshell for termination of UNI4883 type rubber conduit. Use last 6 digits in Backshell Part Number; Column 1, Table III to Designate UNI4883 Rubber Hose Inner Diameter. Through mounting holes.
2. Connector/Backshell Class "A" (non-environmental)—Wire sealing grommet not supplied.
3. Standard materials configuration consists of aluminum alloy with cadmium olive drab finish.
4. Standard contact material consists of copper alloy with silver plating (Gold plating available, see mod codes).
5. Standard insert material is synthetic rubber.
Add "FR" prefix to front of part number to specify fire resistant inserts.



ITS 3100 A (BR) and ITS 4100 A (BR)
Front Panel Mount Square Flange Receptacle Assembly
with Backshell for Termination of UNI4883 Rubber Conduits



ITS
Reverse Bayonet
Assemblies

TABLE I: DIMENSIONS

Shell Size	ØA +0 -0.1	ØB ±0.1	K ±0.2	L Max.	M +0.2 -0	R ±0.1	S +0.2	ØT +0.1 -0
10 SL	18.2	See Table III Below	2.8	90.0	14.3	18.25	25.4	3.2
14 S	24.5		3.3	91.5	14.5	23.00	30.4	3.2
16 S	27.2		3.3	91.5	14.5	24.60	32.5	3.2
16	27.2		3.3	103.0	19.1	24.60	32.5	3.2
18	30.7		4.0	103.0	19.1	27.00	35.0	3.2
20	34.0		4.0	103.0	19.1	29.40	38.0	3.2
22	37.3		4.0	103.0	19.6	31.75	41.0	3.2
24	40.9		4.0	104.5	20.6	34.90	44.5	3.7
28	46.7		4.0	111.0	20.7	39.70	50.9	3.7
32	53.4		4.0	116.5	22.3	44.45	57.0	4.3
36	59.6		4.0	122.0	22.3	49.20	63.5	4.3
40	65.5		4.0	122.0	22.3	55.55	69.9	4.3

TABLE III: BACKSHELL DIMENSIONS

Backshell Part Number	Shell Size	A Thread	ØB ±0.1	ØQ ±0.2
IT 37267-10BR1712	10SL	0.6250 - 24UNEF	10.5	20.0
IT 37267-18BR2722	18	1.0000 - 20UNEF	20.5	30.0
IT 37267-20BR1712	20 - 22	1.1875 - 18UNEF	10.5	34.0
IT 37267-20BR2722	20 - 22	1.1875 - 18UNEF	20.5	34.0
IT 37267-20BR2833	20 - 22	1.1875 - 18UNEF	31.5	42.0
IT 37267-28BR2520	24 - 28	1.4375 - 18UNEF	16.5	45.0
IT 37267-28BR2722	24 - 28	1.4375 - 18UNEF	20.5	45.0
IT 37267-28BR3126	24 - 28	1.4375 - 18UNEF	22.5	45.0
IT 37267-28BR3328	24 - 28	1.4375 - 18UNEF	26.5	45.0
IT 37267-28BR3530	24 - 28	1.4375 - 18UNEF	26.5	45.0
IT 37267-28BR3833	24 - 28	1.4375 - 18UNEF	31.5	45.0
IT 37267-28BR5045	24 - 28	1.4375 - 18UNEF	36.2	45.0
IT 37267-32BR3126	32	1.7500 - 18UNS	24.5	53.0
IT 37267-32BR3328	32	1.7500 - 18UNS	26.5	53.0
IT 37267-32BR3833	32	1.7500 - 18UNS	31.5	53.0
IT 37267-32BR4035	32	1.7500 - 18UNS	31.5	53.0
IT 37267-32BR5045	32	1.7500 - 18UNS	40.0	53.0
IT 37267-36BR3530	36	2.0000 - 18UNS	26.5	57.4
IT 37267-36BR3833	36	2.0000 - 18UNS	31.5	57.4
IT 37267-36BR4035	36	2.0000 - 18UNS	31.5	57.4
IT 37267-36BR5045	36	2.0000 - 18UNS	43.5	57.4
IT 37267-40BR4136	40	2.2500 - 16UN	31.5	63.0
IT 37267-40BR4540	40	2.2500 - 16UN	38.5	63.0
IT 37267-40BR5045	40	2.2500 - 16UN	43.5	63.0
IT 37267-40BR5550	40	2.2500 - 16UN	48.5	63.0

