

# Benchtop Broadband Source

## BBS Series



### Key Features

- Choice of wavelengths (C-band and L-band)
- Flattened output power spectrums
- High output power density
- High spectral stability
- Optional quad outputs

### Applications

- Optical component spectral tests
- Systems compliance tests
- Optical measurement systems
- Sensors and imaging

### Safety Information

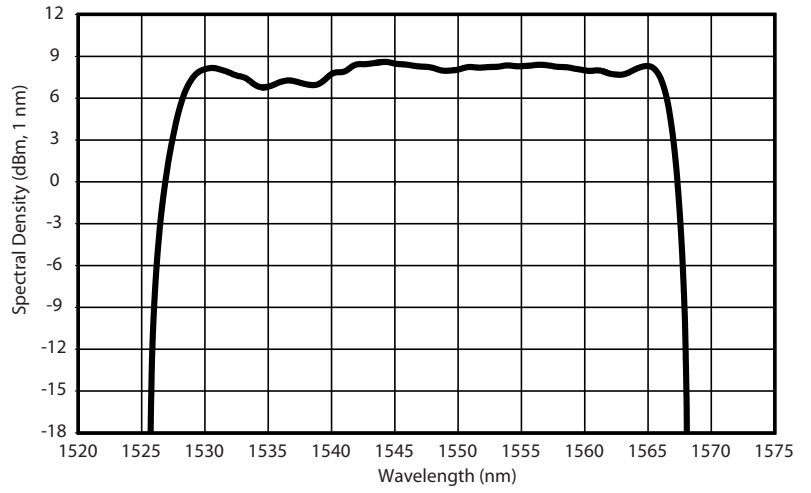
Complies to CE requirements plus UL3101-1 and CAN/CSA-C22.2 No. 1010.1 Meets the requirements of Class 3B in standard IEC 60825-1(2002) and complies with 21CFR1040.10 except deviations per Laser Notice No. 50, July 2001.

The JDSU Benchtop BBS series provides a wide wavelength and high output power source within the 1525 to 1610 nm window. Its superior performance is achieved by pumping erbium-doped fiber to generate amplified spontaneous emission combined with specialized optical filters to achieve optimal flatness over its operating wavelength range.

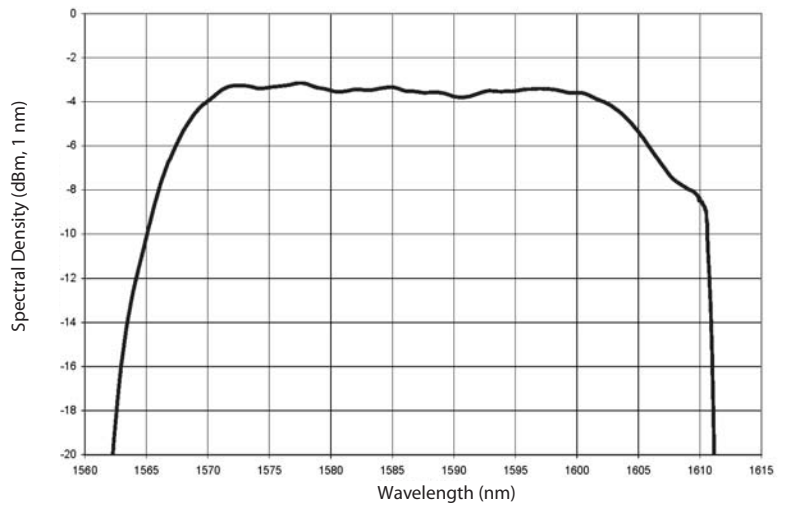
Through optimization of spectral power density, spectral uniformity and optical stability, the broadband source maximizes your capabilities of optical component spectral measurements and systems compliance tests both in manufacturing and research and development (R&D) environments.

The Benchtop models provide specialized variants and optical performance not available in the Multiple Application Platform (MAP) product line. Additional Benchtop BBS models are available in the MAP BBS cassette product line.

INVISIBLE LASER RADIATION  
AVOID EXPOSURE TO BEAM  
CLASS 3B LASER PRODUCT  
(IEC 60825-1, 2002)  
MAX. 500 mw, 700-1680 nm



BBS1550+2XX30 C-band 250 mW



BBS1590+2XX00 L-band 20 mW

## 3

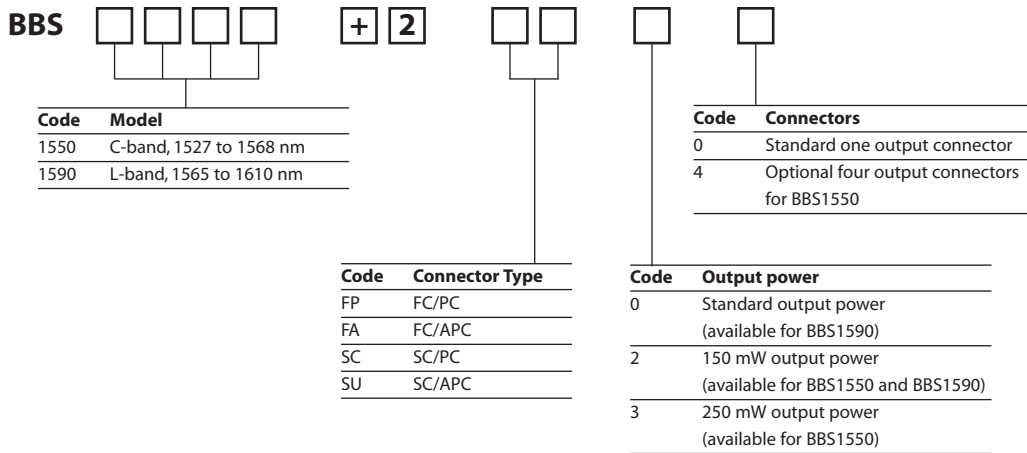
## Specifications

Parameter	1550 150 mW Output Power	1550 250 mW Output Power	1590 20 mW Output Power	1590 150 mW Output Power
Test band	C-band		L-band	
Operating wavelength range	1527 to 1568 nm		1565 to 1610 nm	
Spectral gain flatness (maximum)	1.8 dB	2.5 dB	1.8 dB	4.5 dB
Gain flattened range	1529 to 1565 nm		1570 to 1603 nm	
Total output power stability <sup>1,2,3</sup>	0.02 dB			
Output isolation (minimum)	45 dB			
Input voltage	100 to 240 V AC, 50 to 60 Hz			
Power consumption	90 V A maximum			
Operating temperature	0 to 50°C			
Storage temperature	-40 to 70°C			
Humidity	maximum 95% RH non condensing from 0 to 45°C			
Dimensions (W x H x D)	21.2 x 8.9 x 35.5 cm			
Weight	< 4 kg			

1. Measured at 1547 nm (C-band) at 23°C.
2. Measured at 1586 nm (L-band) at 23°C.
3. Over one hour at 23°C, after one hour of warm-up.

**Ordering Information**

For more information on this or other products and their availability, please contact your local JDSU account manager or JDS Uniphase directly at 1-800-498-JDSU (5378) in North America and +800-5378-JDSU worldwide or via e-mail at sales@jdsu.com.

**Sample : BBS1550+2FP02**

**Standard Accessories**

Part Number	Description
ED000899-A-00	Standard 19-inch rackmount kit

**Optional Accessories**

Part Number	Description
ED000899-A-01	Rackmount kit (Japan)

All statements, technical information and recommendations related to the products herein are based upon information believed to be reliable or accurate. However, the accuracy or completeness thereof is not guaranteed, and no responsibility is assumed for any inaccuracies. The user assumes all risks and liability whatsoever in connection with the use of a product or its application. JDSU reserves the right to change at any time without notice the design, specifications, function, fit or form of its products described herein, including withdrawal at any time of a product offered for sale herein. JDSU makes no representations that the products herein are free from any intellectual property claims of others. Please contact JDSU for more information. JDSU and the JDSU logo are trademarks of JDS Uniphase Corporation. Other trademarks are the property of their respective holders. ©2006 JDS Uniphase Corporation. All rights reserved. 10109643 Rev. 007 10/06

**Test & Measurement Regional Sales**

<b>NORTH AMERICA</b> TOLL FREE: 1 866 228 3762 FAX: +1 301 353 9216	<b>LATIN AMERICA</b> TEL: +55 11 5503 3800 FAX: +55 11 5505 1598	<b>ASIA PACIFIC</b> TEL: +852 2892 0990 FAX: +852 2892 0770	<b>EMEA</b> TEL: +49 7121 86 2222 FAX: +49 7121 86 1222	<b>WEBSITE: www.jdsu.com</b>
---	--	---	---	------------------------------