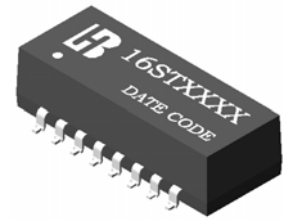


10/100 BASE PULSE TRANSFORMER (SMD)

462 Boston St - Topsfield, MA 01983 - Phone: 978-887-8050 - Fax: 978-887-5434

- Designed for 10/100 Base/s Transmission Over UTP-5 Cable.
- 16-PIN SMD package for economic cost.
- Cable interface for isolation and Low common mode Emissions.
- Meet all IEEE 802.3 standards including 350 μ H OCL with 8mA Bias.
- Storage temperature range: -40°C to +125°C.



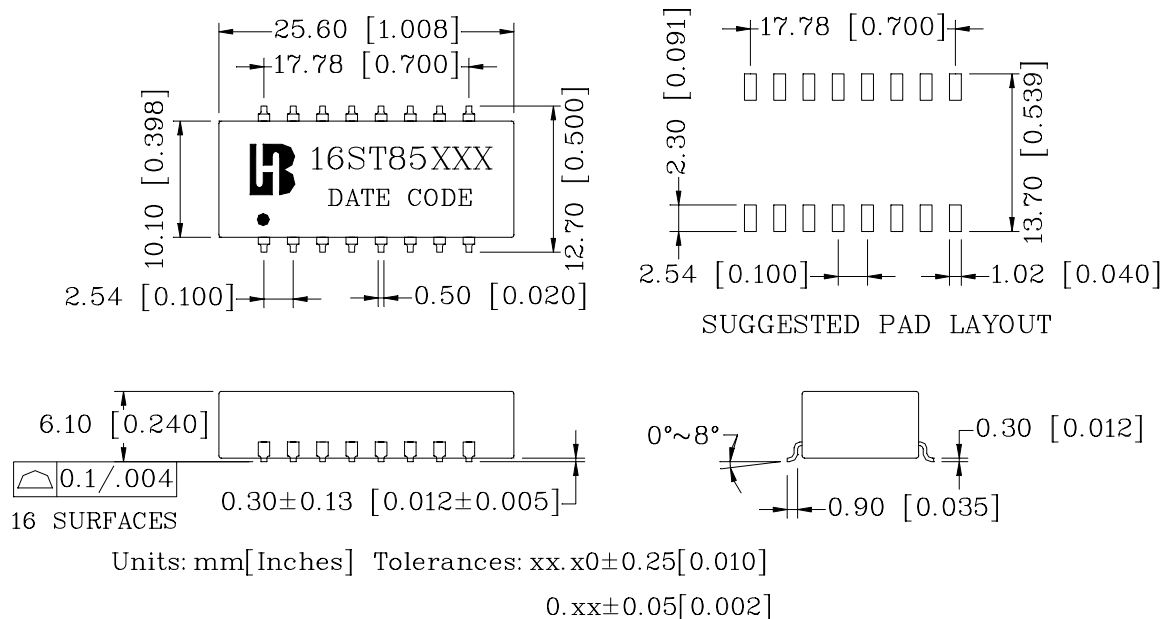
Electrical Specifications @ 25°C Operating Temperature range: 0°C to +70°C

Primary OCL inductance : 350 μ H Min @ 100KHz/0.1Vrms,8.0mA/DC

Part Number	Insertion Loss (dB Max)	Return Loss TX/RX (dB Min)					Cross talk (dB Min)		Differential to Common Mode Rejection TX/RX (dB Min)	
		0.3~100MHz	30MHz	40MHz	50MHz	60MHz	80MHz	0.3-60MHz	60-100MHz	0.3-60MHz
16ST8510	-1.15	-16	-14	-13.5	-13	-12	-40	-30	-35/-30	-35/-30
16ST8512	-1.15	-16	-14	-13.5	-13	-12	-40	-30	-35/-30	-35/-30
16ST8513	-1.15	-16	-14	-13.5	-13	-12	-30		-35/-30	-35/-30
16ST8514	-1.15	-16	-14	-13.5	-13	-12	-30		-35/-30	-35/-30
16ST8515	-1.15	-16	-14	-13.5	-13	-12	-40	-30	-35/-30	-35/-30
16ST8515-1	-1.15	-16	-14	-13.5	-13	-12	-40	-30	-35/-30	-35/-30
16ST8515-4	-1.15	-16	-14	-13.5	-13	-12	-40	-30	-35/-30	-35/-30

Part Number	Turn Ratio($\pm 5\%$)		L.L (uH Max)	Rise Time 10-90%(nS Typ)	DCR RX/TX(Ω Max)	Cw/w (pF Max)	HI-POT Vrms
	Transmit	Receive					
16ST8510	1CT:1CT	1CT:1CT	-	2.5	-	-	1500
16ST8512	1CT:1	1CT:1CT	-	2.5	0.9	-	1500
16ST8513	1:1CT	1CT:1CT	0.6	3.0	-	28	1500
16ST8514	1CT:1	1CT:1CT	0.6	3.0	-	28	1500
16ST8515	1CT:1CT	1CT:1CT	0.6	2.5	-	28	1500
16ST8515-1	1CT:1	1CT:1CT	0.6	2.5	-	28	1500
16ST8515-4	1CT:1CT	1CT:1CT	0.6	2.5	-	28	1500

Mechanicals

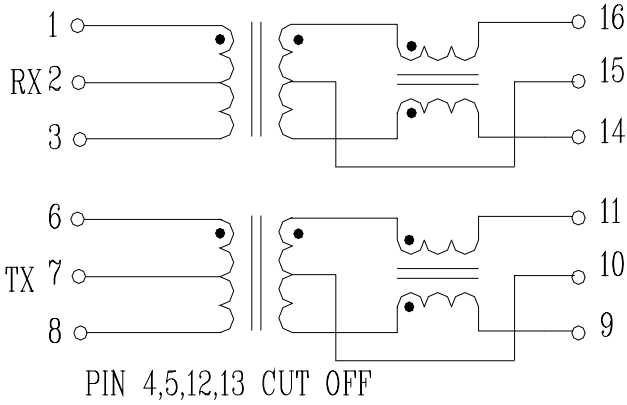


10/100 BASE PULSE TRANSFORMER (SMD)

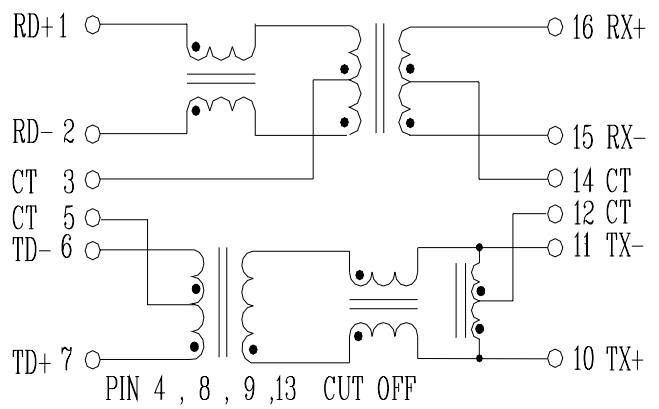
462 Boston St - Topsfield, MA 01983 - Phone: 978-887-8050 - Fax: 978-887-5434

Schematics

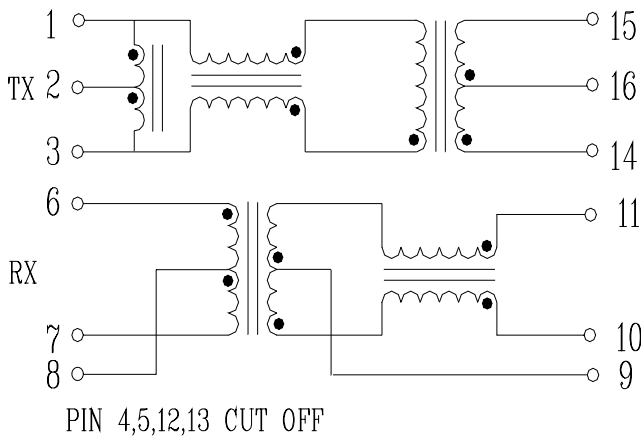
16ST8510



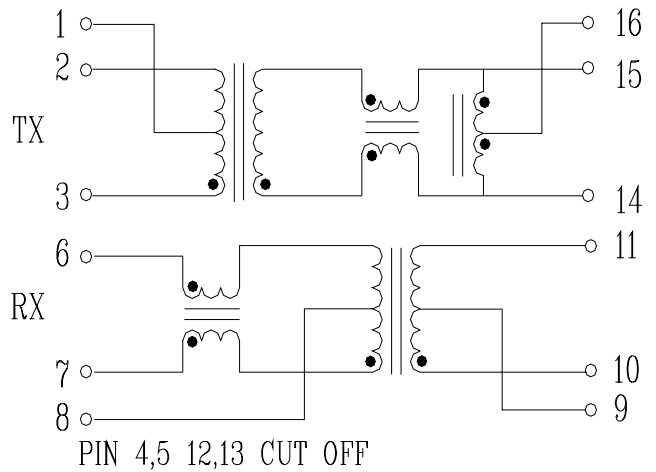
16ST8512



16ST8513

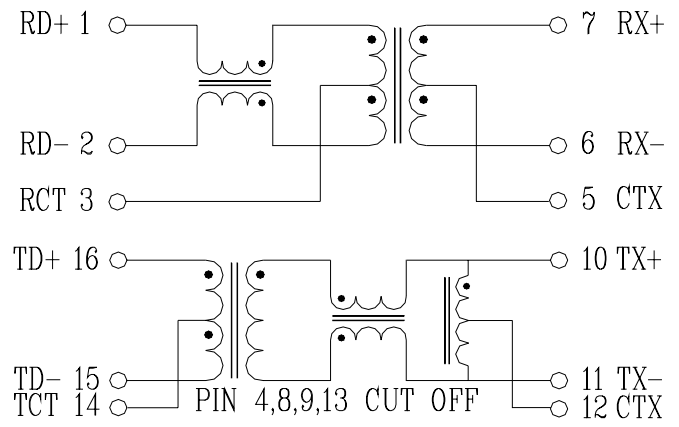
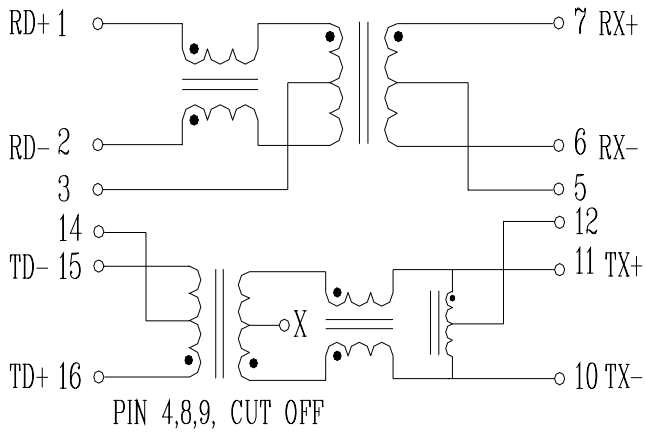


16ST8514



10/100 BASE PULSE TRANSFORMER (SMD)

462 Boston St - Topsfield, MA 01983 - Phone: 978-887-8050 - Fax: 978-887-5434



16ST8515-4

