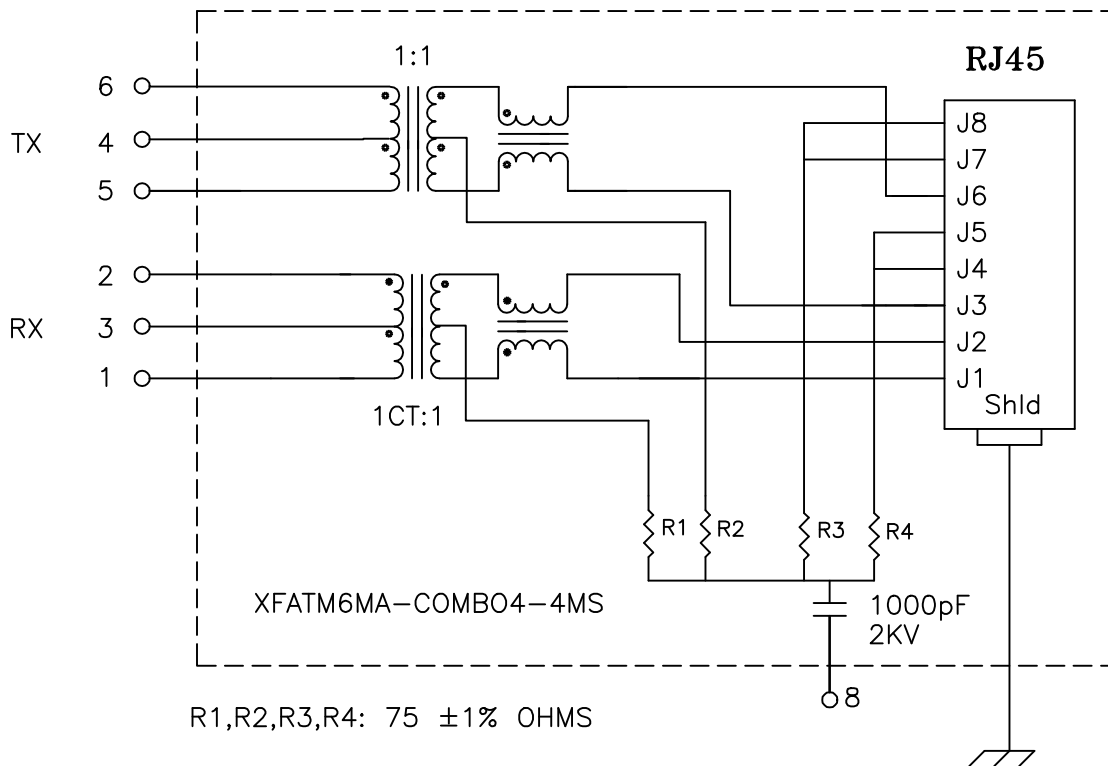


## Schematic:



### Electrical Specifications: @25°C

Isolation Voltage: 1500 Vac  
 Isolation Voltage: 500 Vac (6+5+4-3+2+1)  
 UTP SIDE OCL: 350uH Min @100KHz 100mV 8mADC  
 Rise Time (10-90%): 2.5ns Typical  
 Insertion Loss (300KHz-100MHz): -1.1dB Maximum  
 Insertion Loss (100MHz-125MHz): -1.5dB Maximum  
 Return Loss: -12dB Typical @300KHz - 100MHz  
 Crosstalk:  
 100KHz-60MHz -40dB Typical  
 60MHz-100MHz -38dB Typical  
 Common Mode to Differential Mode Rejection:  
 100KHz-60MHz -45dB Typ (Tx) / -40dB Typ (Rx)  
 60MHz-100MHz -40dB Typ (Tx) / -35dB Typ (Rx)

#### Note:

- Solderability: Leads shall meet MIL-STD-202, Method 208D for solderability.
- Flammability: UL94V-0,
- ASTM oxygen index: > 28% ,
- Temperature rating: 155°C. UL file E151556,
- Operating Temperature Range: -40°C to +85°C

**XFMRs Inc.**

Title:

**QUAD PORT COMBO**

UNLESS OTHERWISE SPECIFIED  
 TOLERANCES:  
 .xxx ±0.010  
 Dimensions in Inch  
 SHEET 1 OF 2

P/N: XFATM6MA-COMBO4-4MS

REV. A

DWN.

李小锋

Jun-28-01

CHK.

廖玉坤

Jun-28-01

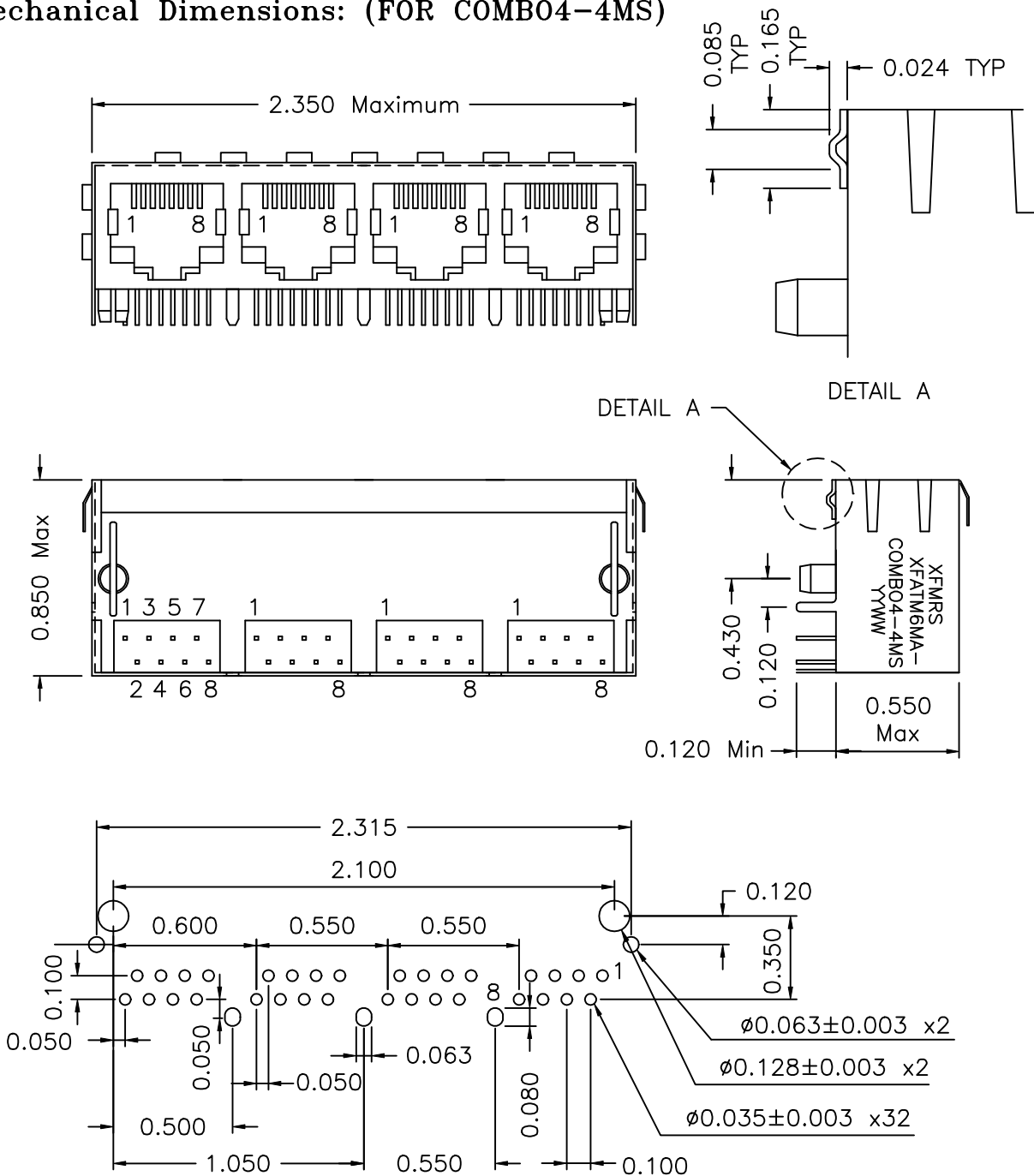
APP.

BW

Jun-28-01

DOC. REV: A/1

# Mechanical Dimensions: (FOR COMB04-4MS)



SUGGESTED MOUNTING PATTERN

DOC. REV: A/1

<b>XFMRs Inc.</b> UNLESS OTHERWISE SPECIFIED TOLERANCES: .xxx ±0.010 Dimensions in Inch SHEET 2 OF 2	Title: Mechanical Dimensions For COMB04-4MS Series		
	P/N: XFATM6MA-COMB04-4MS		REV. A
	DWN.	BW	Jun-28-00
	CHK.	JOE HUFF	Jun-28-00
	APP.	AEI	Jun-28-00