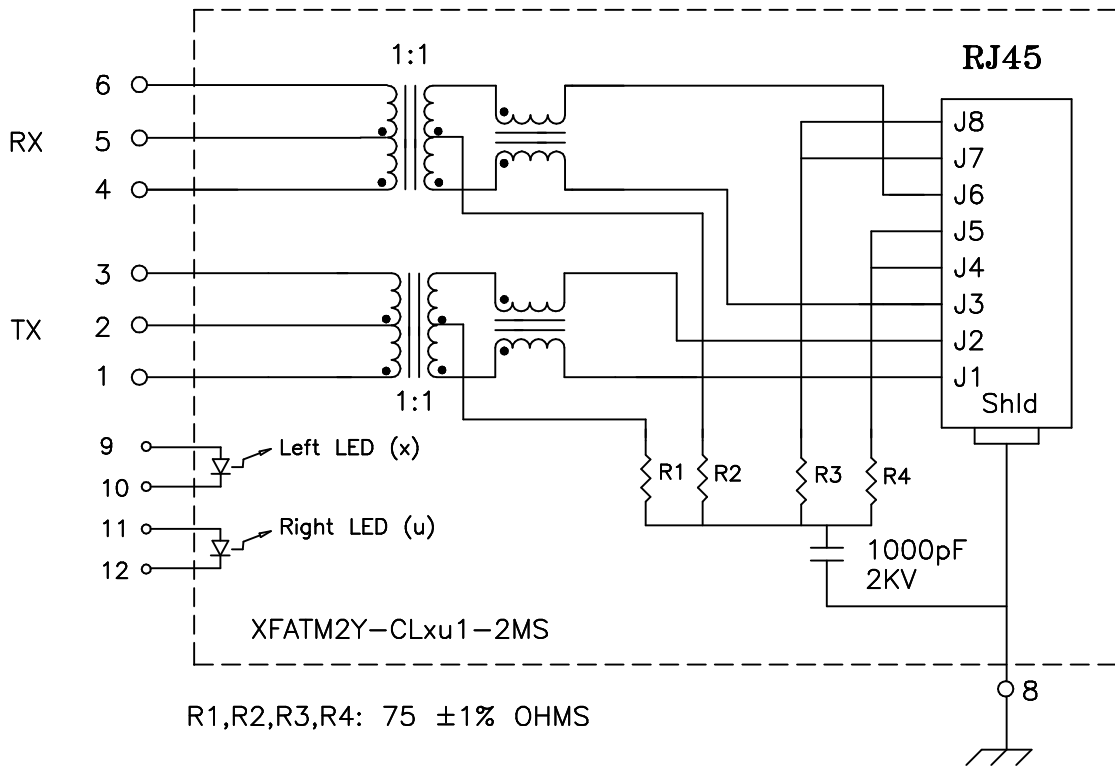


Schematic:



R1,R2,R3,R4: 75 ±1% OHMS

Electrical Specifications: @25°C

- Isolation Voltage: 1500 Vac
- Isolation Voltage: 500 Vac (1+2+3+4+5+6)
- UTP SIDE OCL: 350uH Min @100KHz 100mV 8mADC
- Leakage Inductance: P6-P4 0.3uH Max @1MHz 100mV Short J6 and J3
- Leakage Inductance: P3-P1 0.3uH Max @1MHz 100mV Short J2 and J1
- Cww: (P6, P5, & P4) to (J6 & J3) 30pF Max @1MHz
- Cww: (P3, P2, & P1) to (J2 & J1) 30pF Max @1MHz
- DCR: (J6-J3) = (J2-J1) 1.2 Ohms Max
- Rise Time (10-90%): 2.5ns Typ
- Insertion Loss (100KHz-100MHz): -1.2dB Max
- Return Loss: -18dB Min @1MHz - 30MHz
- Return Loss: -12dB Min @60MHz - 80MHz
- Crosstalk: 30dB Typ @1MHz to 100MHz
- Common Mode to Differential Mode Rejection:
 - 1MHz-100MHz -35dB Typ (Tx) / -35dB Typ (Rx)

Complete the Combo P/N as follows:

Replace 'x' & 'u' in the part number with one of the four LED color letters:

'x' = Left LED Color	Y=Yellow
'u' = Right LED Color	G=Green
	A=Amber
	R=Red

DOC. REV: A/1

XFMRs Inc. UNLESS OTHERWISE SPECIFIED TOLERANCES: .xxx ±0.010 Dimensions in Inch SHEET 1 OF 2	Title: SINGLE PORT COMBO	
	P/N: XFATM2Y-CLxu1-2MS	REV. A
	DWN. 李小锋	Jan-07-02
	CHK. 廖玉坤	Jan-07-02
APP. Isaiah M	Jan-07-02	

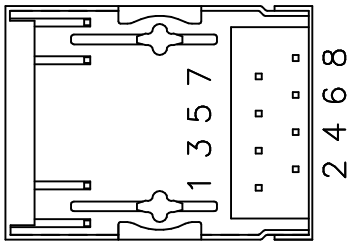
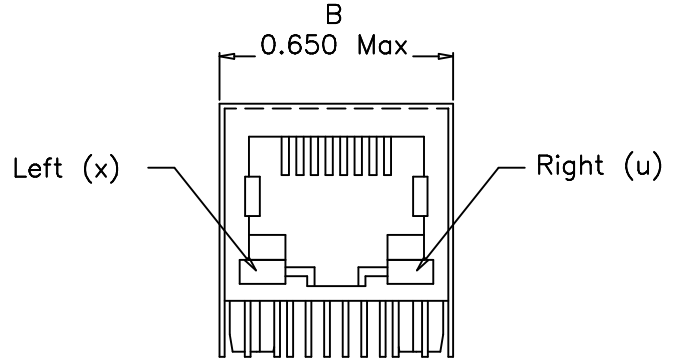
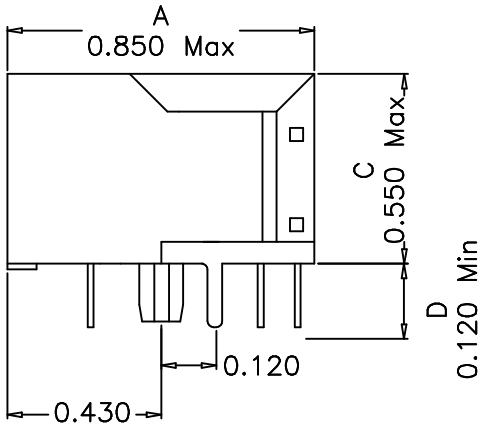
Mechanical Dimensions:

XFMR5
 XFATM2Y-
 CLxu1-2MS
 YYWW

Complete the Combo P/N as follows:

Replace 'x' & 'u' in the part number with one of the four LED color letters:

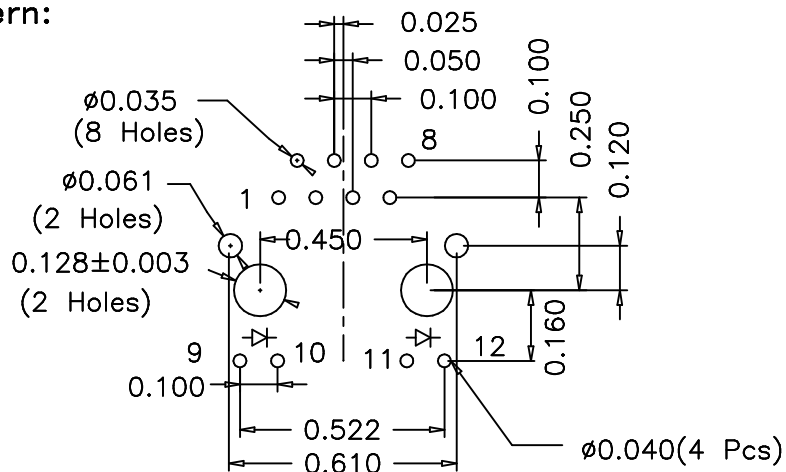
'x' = Left LED Color	Y=Yellow
'u' = Right LED Color	G=Green
	A=Amber
	R=Red



(BOTTOM VIEW)

Mounting Pattern:

(COMP SIDE)



XFMR5 Inc.		Title: Mechanical Dimensions For CLxu1-2MS Series	
UNLESS OTHERWISE SPECIFIED	P/N: XFATM2Y-CLxu1-2MS	REV. A	
TOLERANCES:	DWN.	李小锋	Jan-07-02
.xxx ±0.010	CHK.	廖玉坤	Jan-07-02
Dimensions in Inch	APP.	Isaiah M	Jan-07-02
SHEET 2 OF 2			

DOC. REV: A/1