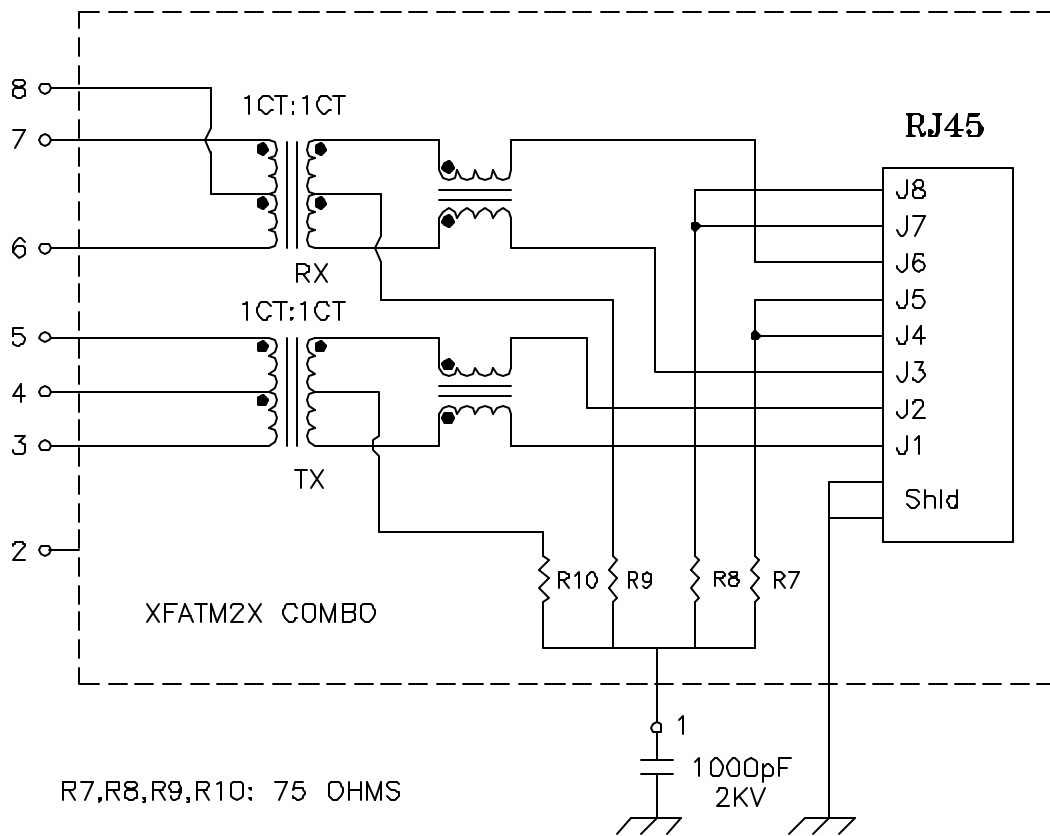


Schematic:



Electrical Specifications: @25°C

UTP Impedance: 100 OHMS

Turns Ratio: TX : 1CT:1CT ($\pm 2\%$) RX : 1CT:1CT ($\pm 2\%$)

Isolation Voltage: 1500 VAC (Input to Output)

Isolation Voltage: 500 VAC (3+4+5-6+7+8)

UTP Side OCL: 350uH Minimum @100KHz, 100mV 8mADC

Insertion Loss (0.3-100MHz): -1.0dB Maximum

Return Loss: @30MHz -20dB Typ

@80MHz -15dB Typ

Rise Time (10-90%): 2nS Typical

CMRR (0.3-100MHz): -30dB Typical

Crosstalk Attenuation (1MHz-100MHz): -30dB Minimum

XFMRs Inc.

Title:
SINGLE PORT COMBO

UNLESS OTHERWISE SPECIFIED
TOLERANCES:
.xxx ± 0.010
Dimensions in Inch

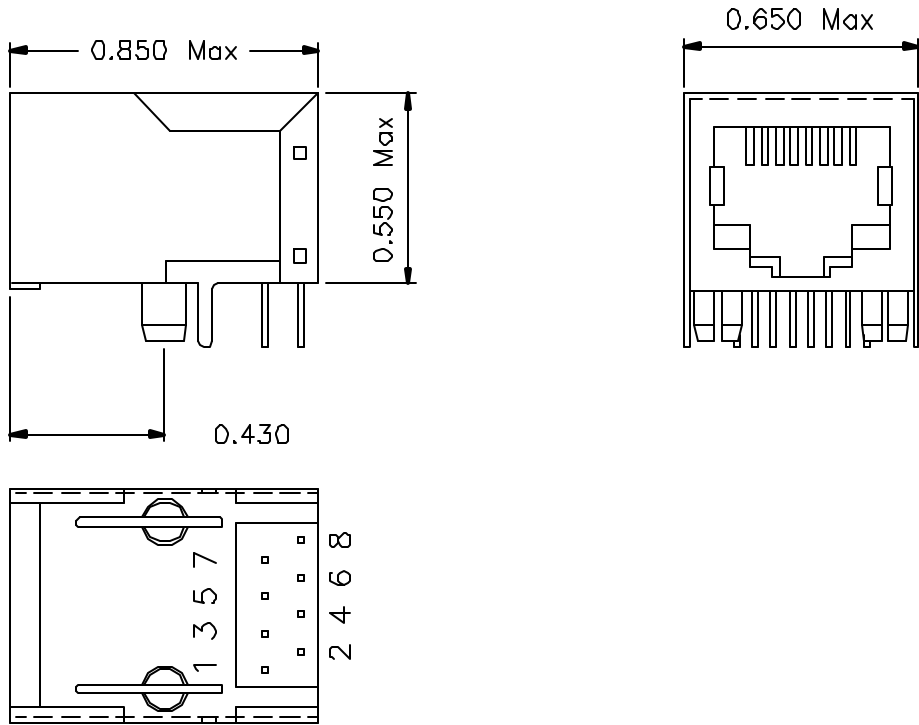
P/N: XFATM2X-COMB01-2MS	REV. A
DWN.	BW May-22-01
CHK.	Joe Huff May-22-01
APP.	Isaiah M May-22-01

DOC. REV A/1

SHEET 1 OF 2

Mechanical Dimensions:

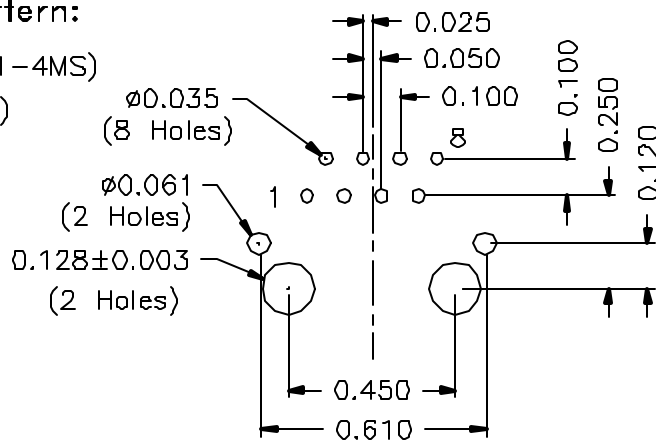
XFMR5
XFATM2X-
COMB01-2MS
YYWW



(BOTTOM VIEW)

Mounting Pattern:

(FOR COMB01-4MS)
(COMP SIDE)



XFMR5 Inc.		Title: Mechanical Dimensions For COMB01-2MS Series	
UNLESS OTHERWISE SPECIFIED TOLERANCES: .xxx ±0.010 Dimensions in Inch	XFATM2X-COMB01-2MS		REV A
	DWN.	BW	May-22-01
	CHK.	Joe Huff	May-22-01
	APP.	Isaiah M.	May-22-01
SHEET 2 OF 2			