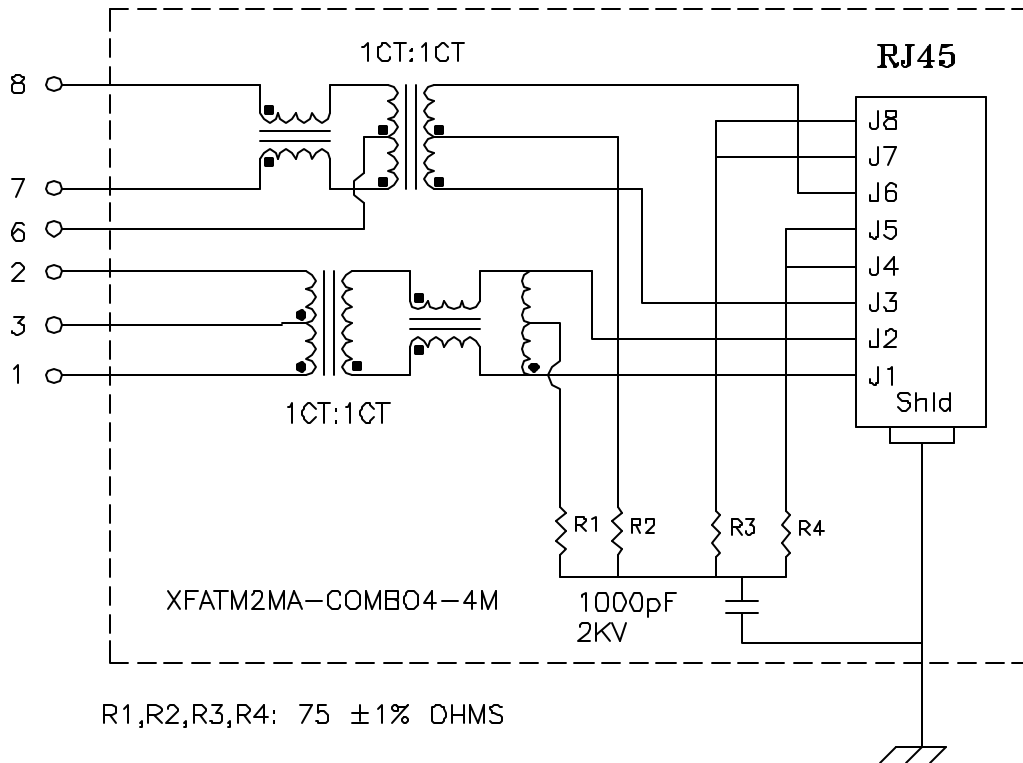


**Schematic:**

(one of four)

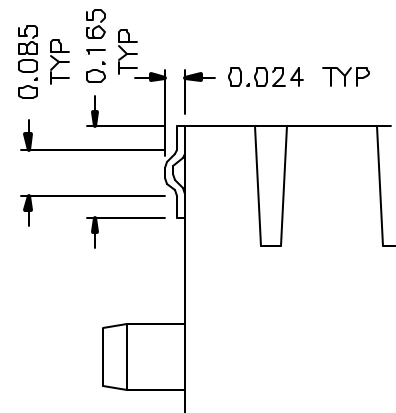
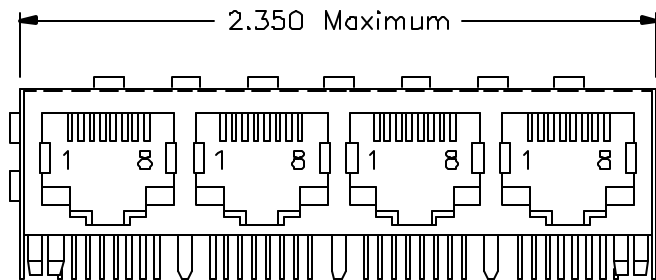


**Electrical Specifications: @25°C**

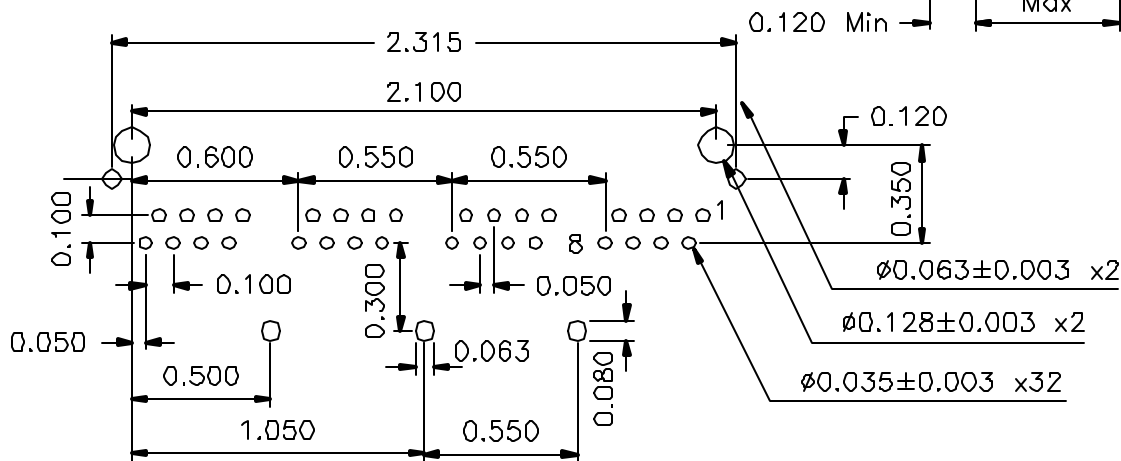
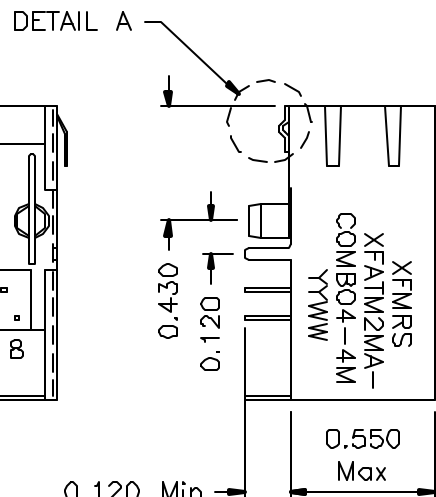
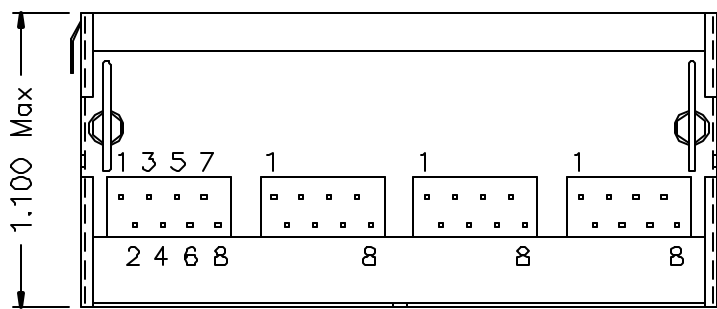
- Isolation Voltage: 1500 Vac
- Isolation Voltage: 500 Vac (6+7+8-2+3+4)
- UTP SIDE OCL: 350uH Min @100KHz 100mV 8mADC
- Rise Time (10-90%): 2.5ns Typical
- Insertion Loss (300KHz-100MHz): -1.1dB Maximum
- Insertion Loss (100MHz-125MHz): -1.5dB Maximum
- Return Loss: -12dB Typical @300KHz - 100MHz
- Crosstalk:
  - 100KHz-60MHz -40dB Typical
  - 60MHz-100MHz -38dB Typical
- Common Mode to Differential Mode Rejection:
  - 100KHz-60MHz -45dB Typ (Tx) / -40dB Typ (Rx)
  - 60MHz-100MHz -40dB Typ (Tx) / -35dB Typ (Rx)

<b>XFMRs Inc.</b>	Title: <b>QUAD PORT COMBO</b>		
	UNLESS OTHERWISE SPECIFIED		P/N: XFATM2MA-COMBO4-4M
	TOLERANCES:		REV. A
	.xxx ±0.010		DWN. Buddy Woods Dec-20-99
Dimensions in Inch		CHK. Joe Huff Dec-20-99	
SHEET 1 OF 2		APP. AEI Dec-20-99	

**Mechanical Dimensions: (FOR COMB04-4M)**



DETAIL A



SUGGESTED MOUNTING PATTERN

<b>XFMRs Inc.</b>	Title: Mechanical Dimensions For COMB04-4M Series		
	UNLESS OTHERWISE SPECIFIED TOLERANCES: .xxx ±0.010 Dimensions in Inch	P/N: XFATM2MA-COMB04-4M	REV. A
DOC. REV: A/1 SHEET 2 OF 2	DWN.	Buddy Woods	Dec-20-99
	CHK.	Joe Huff	Dec-20-99
	APP.	AEI	Dec-20-99