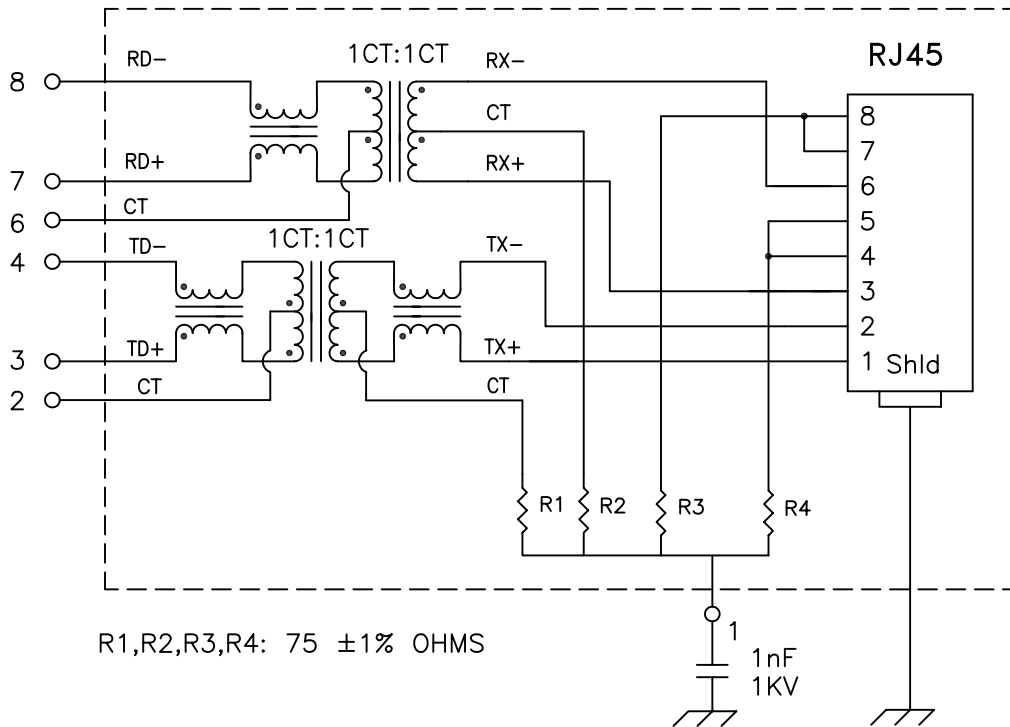


## Schematic: (ONE OF EIGHT)



## Electrical Specifications: @25°C

Isolation Voltage: 1500Vrms(INPUT to OUTPUT), 500Vrms(TD to RD)

UTP SIDE OCL: 350uH Min @100KHz 100mV 8mADC

Rise Time (10–90%): 2.5ns Typical

Insertion Loss (300KHz–100MHz): –1.1dB Maximum

Insertion Loss (100MHz–125MHz): –1.5dB Maximum

Return Loss: –18dB Min. @30MHz

–12dB Min. @80MHz

Crosstalk:

100KHz–60MHz –40dB Typical

60MHz–100MHz –38dB Typical

Common Mode to Differential Mode Rejection:

100KHz–60MHz –45dB Typ (Tx) / –40dB Typ (Rx)

60MHz–100MHz –40dB Typ (Tx) / –35dB Typ (Rx)

Note:

1. Solderability: Leads shall meet MIL-STD-202, Method 208D for solderability.
2. Flammability: UL94V-0,
3. ASTM oxygen index: > 28% ,
4. Temperature rating: 155°C. UL file E151556,
5. Operating Temperature Range: All listed parameters are to be within tolerance from –40°C to +85°C

**XFMRs Inc.**

Title: EIGHT PORT COMBO

UNLESS OTHERWISE SPECIFIED

P/N: XFATM2-STACK8-4

REV: A

TOLERANCES:

DWN.

廖玉坤

Mar-22-04

.xxx ±0.010

CHK.

李清儿

Mar-22-04

Dimensions in Inch

APP.

BW

Mar-22-04

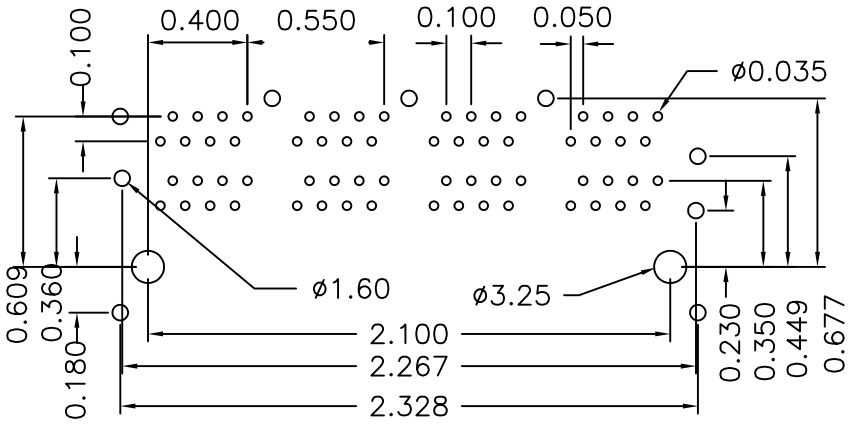
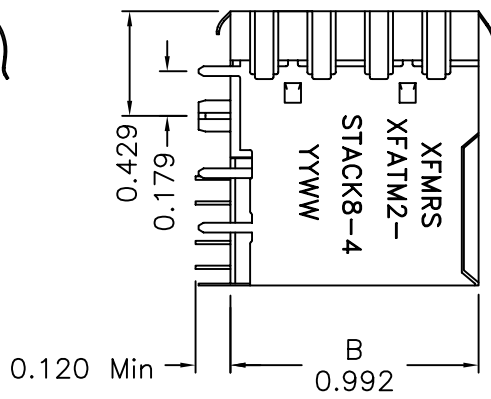
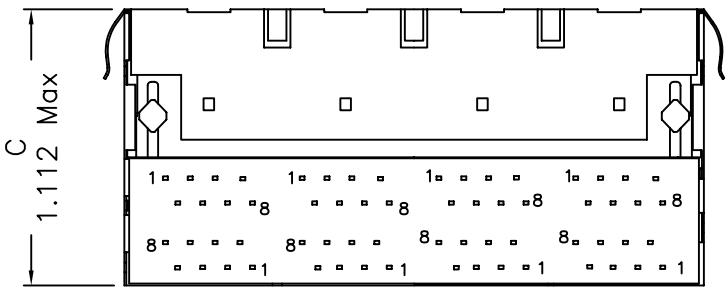
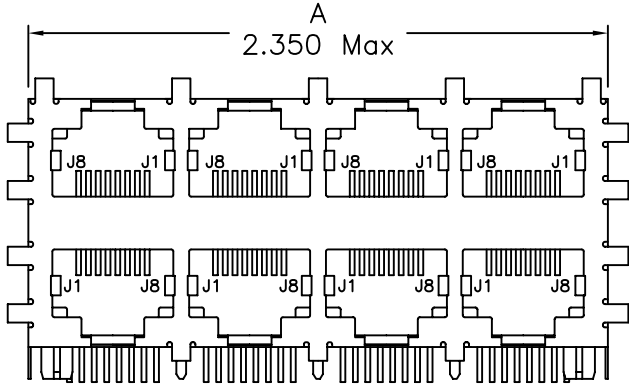
SHEET 1 OF 1

DOC. REV A/1

**PROPRIETARY:**

Document is the property of XFMRs Group & is not allowed to be duplicated without authorization.

# Mechanical Dimensions:



SUGGESTED MOUNTING PATTERN (COMPONENT SIDE)

DOC. REV. A/1

**PROPRIETARY:**  
Document is the property of XFMRS Group & is not allowed to be duplicated without authorization.

|  |  |  |           |
|--|--|--|-----------|
| <b>XFMRS Inc.</b>  |  | Title: Mechanical Dimensions<br>For 2x4 STACKED COMBO Series |           |
| UNLESS OTHERWISE SPECIFIED<br>TOLERANCES:<br>.xx ±0.25<br>Dimensions in mm |  | P/N: XFATM2-STACK8-4   | REV. A    |
| SHEET 2 OF 2   |  | DWN. 刘 鹏   | Mar-22-04 |
|  |  | CHK. 李小锋   | Mar-22-04 |
|  |  | APP. BW  | Mar-22-04 |