

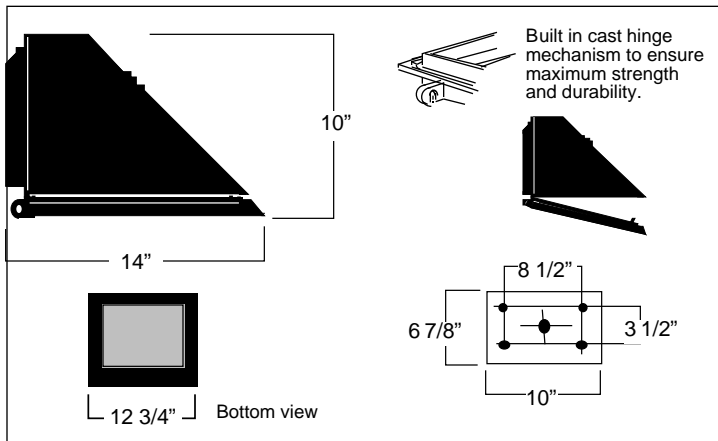
### Specification

All exposed cast aluminum components are made of non corrosive pure aluminum copper free (Aluminum is less than .1% copper content.#356 alloy.)

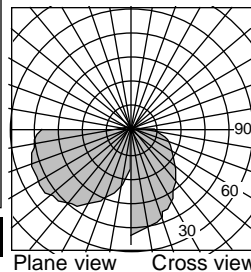
Finish: All polyester powder baked coatings preceded with a 5 baths preparation process. Meets military grade MIL-C781706 with a 2000 hours salt spray test.

- Pulse rated medium base porcelain socket.
- 75W/600V thermoplastic compact fluorescent socket.
- One-piece molded silicone gasket with memory retention.
- High power factor CWA ballast. Or 98% P.F. electronic smart ballast with end of life detection for compact fluorescent.
- All stainless steel hardware.
- All Moving and removable parts are sealed with a memory retention silicone gasket.

- 1- Isolated dust proof mounting chamber with #11 ga. galvanized pressure mounting plate allowing luminaire tilt up for ease of installation and wiring connection.
- 2- One piece closed shell cast aluminum optical lighting chamber.
- 3- Ballast mounting tray with quick disconnect terminals.
- 4- **HID**: Standard type III multifaced, computer generated high performance reflector.  
(Optional forward throw type IV reflector. Specify **RF4**)  
**CFL**: Standard type IV (forward throw)
- 5- One-piece cast aluminum precision fit lens frame , with integral cast hinge swing-out mechanism.
- 6- Clear tempered lens,



### Photometry



Separate updated technical specification sheets with related models and light sources with I.E.S formatted photometry are available on [www.luminis.com](http://www.luminis.com).

### Certification

UL. Wet Location.

### Mounting & E.P.A.

Max. weight: 26 lbs  
Installation: Mounts over a standard 4" octagonal box with 3 1/2" c/c mounting holes. additional mounting holes are provided with wall plate.

For options details and specifications, please refer to pages 42 & 72

Model#	Light source selection	Voltage	Finish	Options	
<input type="checkbox"/> TP200 	<b>MH (ED17)</b> <input type="checkbox"/> M70 <input type="checkbox"/> M100 <input type="checkbox"/> M150 <input type="checkbox"/> M175 <b>HPS (ED17)</b> <input type="checkbox"/> H70 <input type="checkbox"/> H100 <input type="checkbox"/> H150 Best results with H.I.D. Clear lamps (Lamps by others)	<b>CF (Gx24q)</b> <b>Single lamp</b> <input type="checkbox"/> F157 <input type="checkbox"/> F170 <input type="checkbox"/> F185 2G8-1 base (120V) <b>CF (Gx24q)</b> <b>Two lamp</b> <input type="checkbox"/> F242	<b>120 V</b> Standard factory prewired (If no voltage is specified) For other voltages, please specify with catalog number. <b>H.I.D.</b> <input type="checkbox"/> 208 V <input type="checkbox"/> 240 V <input type="checkbox"/> 277 V <input type="checkbox"/> 347 V <b>COMP. FLUO.</b> <b>Smart ballast 120/277</b> <input type="checkbox"/> 347 V (To specify)	(Refer to color chart) <b>Standard selection</b> <input type="checkbox"/> <b>WHT</b> : Snow white <input type="checkbox"/> <b>BKT</b> : Jet black <input type="checkbox"/> <b>BZT</b> : Bronze <input type="checkbox"/> <b>GRT</b> : Titanium gray <input type="checkbox"/> <b>DGT</b> : Gun metal <input type="checkbox"/> <b>CHT</b> : Champagne <input type="checkbox"/> <b>MST</b> : Matte silver <input type="checkbox"/> <b>GNT</b> : Forest green <b>Optional colors</b> <input type="checkbox"/> <b>CS</b> : Custom color <input type="checkbox"/> <b>RAL</b> : RAL# color	<input type="checkbox"/> <b>RF4</b> : <b>Accessories</b> Type IV Multifaceted specular reflector. (H.I.D. Sources) <input type="checkbox"/> <b>EM42S</b> : <b>Electrical</b> 1 lamp (26/32/42W) <input type="checkbox"/> <b>FS</b> : Fuse <input type="checkbox"/> <b>PH1</b> : 120/277V photo cell. <input type="checkbox"/> <b>PH2</b> : 347V photo cell. <input type="checkbox"/> <b>QS</b> : Standby lamp socket. <input type="checkbox"/> <b>QRS</b> : H.I.D. lamp restricke

luminaires may be altered for design improvements or discontinued without prior notice.