

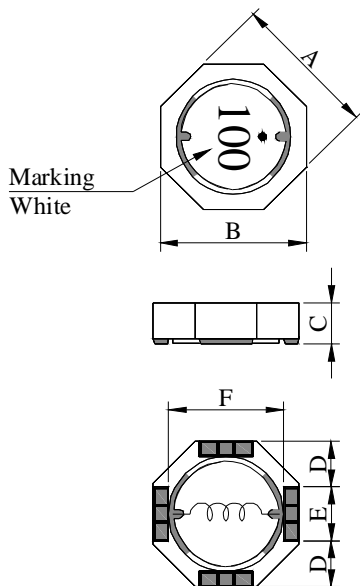
# SPECIFICATION FOR APPROVAL

RE 20080804-A

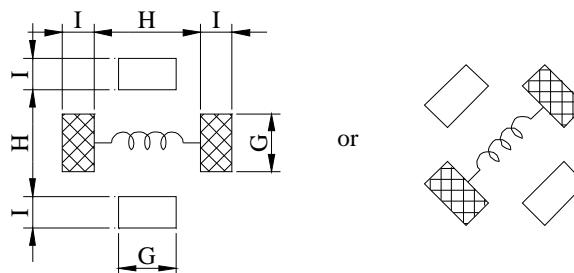
PAGE: 1

PROD. NAME	SHIELDED SMD POWER INDUCTOR	ABC'S DWG NO.	SU6025□□□□F□-□□□
		ABC'S ITEM NO.	

## I . CONFIGURATION & DIMENSIONS :

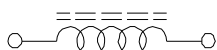


A	: 6.20 ±0.30	m/m
B	: 6.50 ±0.30	m/m
C	: 2.50 ±0.30	m/m
D	: 2.15 typ	m/m
E	: 2.20 typ	m/m
F	: 4.90 typ	m/m
G	: 2.40 ref	m/m
H	: 4.90 ref	m/m
I	: 1.10 ref	m/m



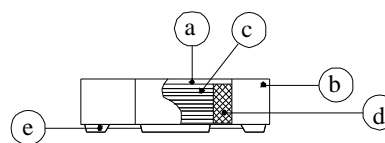
( PCB Pattern suggestion )

## II . SCHEMATIC DIAGRAM :

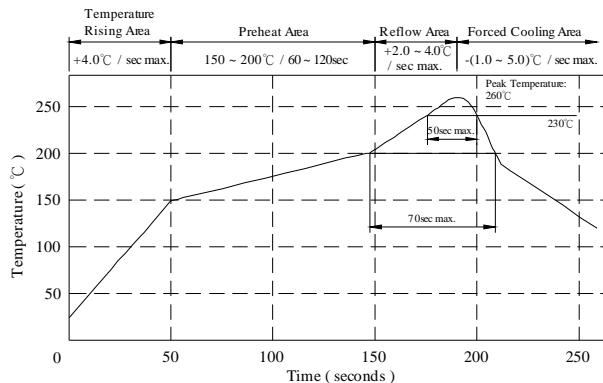


## III . MATERIALS :

- a . Core : Ferrite DR core
- b . Core : Ferrite RI core
- c . Wire : Enamelled copper wire (class H)
- d . Adhesive : Epoxy resin
- e . Terminal : Ag/Ni/Sn
- f . Remark : Products comply with RoHS' requirements



Peak Temp : 260°C max.  
Max time above 230°C : 50sec max.  
Max time above 200°C : 70sec max.



## IV . GENERAL SPECIFICATION :

- a . Temp. rise : 30°C typ.
- b . Rated current :  
Base on temp. rise & ΔL / LOA=35% typ.
- c . Storage temp. : -40°C ----+125°C
- d . Operating temp. : -40°C ----+105°C
- e . Resistance to solder heat : 260°C.10 secs.

AR-001A

# SPECIFICATION FOR APPROVAL

REF : 20080804-A

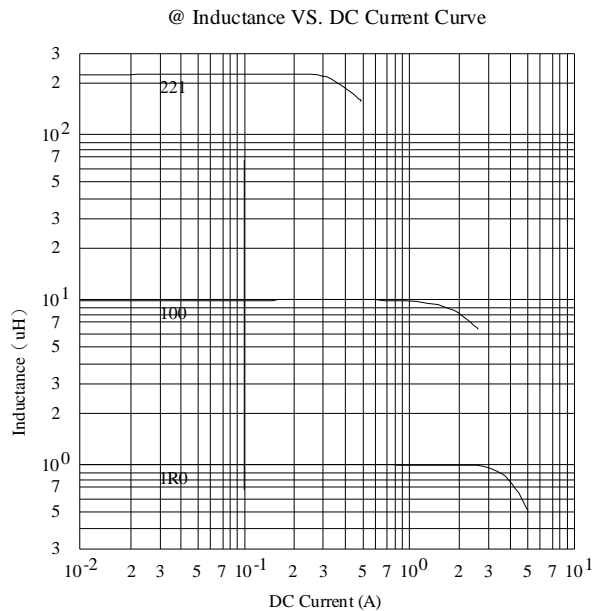
PAGE: 2

PROD. NAME	SHIELDED SMD POWER INDUCTOR	ABC'S DWG NO.	SU6025□□□□F□-□□□
		ABC'S ITEM NO.	

## V . ELECTRICAL CHARACTERISTICS :

DWG No.	Inductance ( $\mu$ H)	Q ref.	Test Freq. ( Hz )		RDC ( m $\Omega$ )		SRF ( MHz ) typ.	I <sub>rms</sub> ( mA ) typ.	I <sub>sat</sub> ( mA ) typ.
			L	Q	typ.	max.			
SU60251R2YF□-□□□	1.2 ± 30 %	8	100K	7.96M	14.5	19	120	4000	3200
SU60252R2YF□-□□□	2.2 ± 30 %	8	100K	7.96M	18.5	24	65	3400	2350
SU60253R3YF□-□□□	3.3 ± 30 %	8	100K	7.96M	21.0	27	50	3200	2000
SU60254R7YF□-□□□	4.7 ± 30 %	8	100K	7.96M	27.0	35	42	2700	1550
SU60256R8YF□-□□□	6.8 ± 30 %	8	100K	7.96M	32.0	42	36	2400	1300
SU60258R2YF□-□□□	8.2 ± 30 %	8	100K	7.96M	40.0	52	30	2200	1250
SU6025100YF□-□□□	10.0 ± 30 %	12	100K	2.52M	44.0	57	25	2000	1050
SU6025150YF□-□□□	15.0 ± 30 %	12	100K	2.52M	66.0	86	22	1800	920
SU6025220YF□-□□□	22.0 ± 30 %	12	100K	2.52M	100.0	130	18	1600	700
SU6025330YF□-□□□	33.0 ± 30 %	12	100K	2.52M	140.0	180	12	1200	640
SU6025470YF□-□□□	47.0 ± 30 %	12	100K	2.52M	190.0	250	10	1000	480
SU6025680YF□-□□□	68.0 ± 30 %	10	100K	2.52M	280.0	365	8	800	400
SU6025101YF□-□□□	100.0±30 %	24	100K	796K	385.0	500	7	700	350
SU6025151YF□-□□□	150.0±30 %	30	100K	796K	590.0	770	5	540	280
SU6025221YF□-□□□	220.0±30 %	20	100K	796K	950.0	1250	4	420	240

- 1) .  : Packaging Information...  A : Bulk  B : Taping Reel
- 2) ."-  ":Reference code
- 3) . Inductance Test Freq. : 100KHz / 0.1V
- 4) . I<sub>sat</sub> base on  $\Delta L / L0A=35\%$  typ.
- 5) . I<sub>rms</sub> base on Temp. rise 30°C typ.



AR-001A



# SPECIFICATION FOR APPROVAL

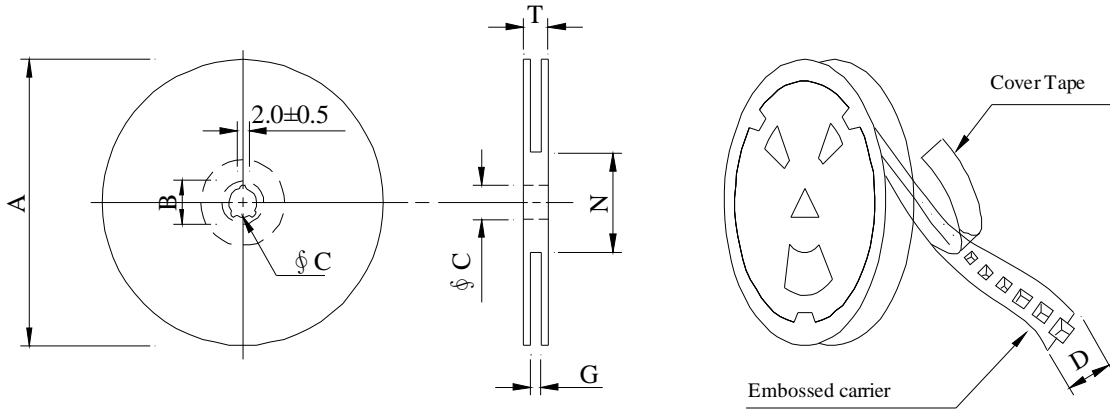
REF : 20080804-A

PAGE: 3

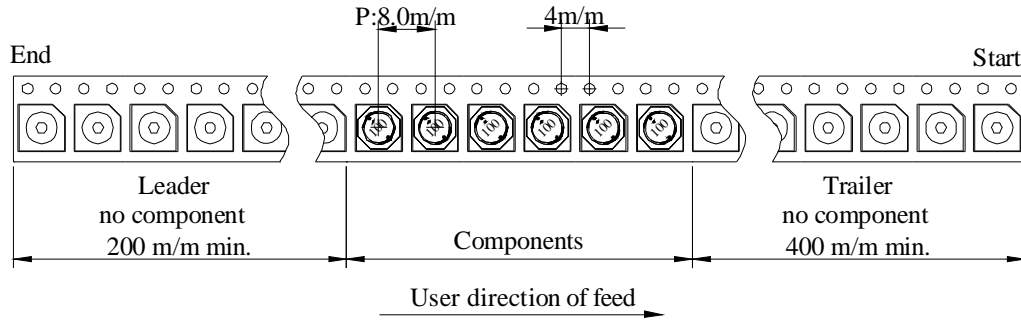
PROD. NAME	SHIELDED SMD POWER INDUCTOR	ABC'S DWG NO.	SU6025□□□□F□-□□
		ABC'S ITEM NO.	

## VI . PACKAGING INFORMATION :

### ( 1 ) Configuration



※Carrier tape width : D



### ( 2 ) Dimensions

Unit:m/m

Stytle	A	B	C	D	G	N	T
07 - 12	178	21±0.8	13	12	14 <sup>+0</sup>	50 <sup>-0</sup>	16.5

### ( 3 ) Q'TY & G.W. Per package

Series	Inner : Reel			Outer : Carton		
	Q'TY (pcs)	G.W. (gw)	Style	Q'TY (pcs)	G.W. (Kg)	Size (cm)
SU6025	600	125	07 - 12	24,000	7.5	42 x 41 x 24

AR-001A

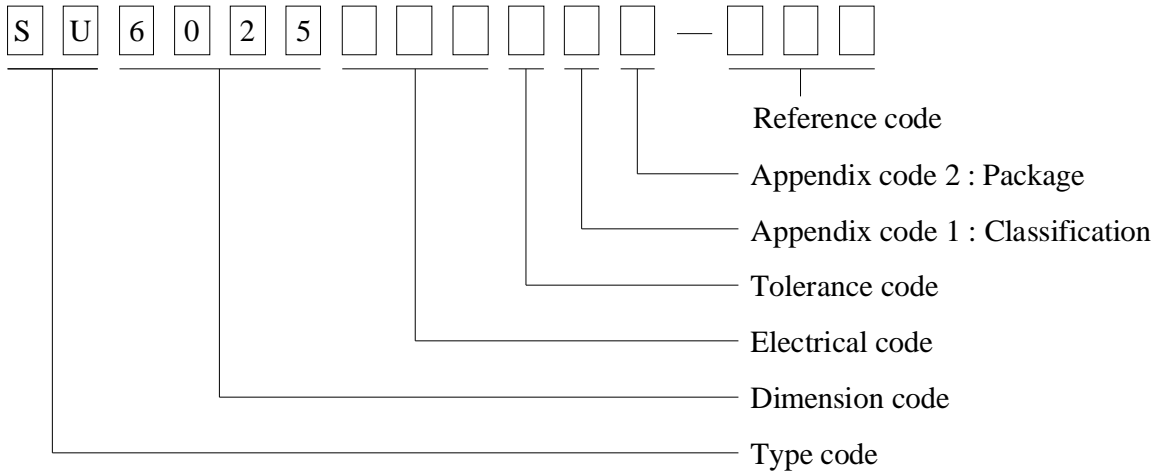
# SPECIFICATION FOR APPROVAL

REF : 20080804-A

PAGE: 4

PROD. NAME	SHIELEDDED SMD POWER INDUCTOR	ABC'S DWG NO.	SU6025□□□□F□-□□□
		ABC'S ITEM NO.	

**VII . DWGING NUMBER EXPRESSION :**



**Appendix code 1 : Product Classification**

- F : Lead Free Standard products comply with RoHS' requirements
- 1 ~ 9 : Lead Free Special products comply with RoHS' requirements

**Appendix code 2 : Package Information**

Code	Inner package	Inner package Q'TY	Remark
A	T.B.D.	T.B.D.	
B	T / R ( Reel package )	600pcs	

# SPECIFICATION FOR APPROVAL

REF : 20080804-A

PAGE: 5

PROD. NAME	SHIELDED SMD POWER INDUCTOR	ABC'S DWG NO. ABC'S ITEM NO.	SU6025□□□□F□-□□□
---------------	--------------------------------	---------------------------------	------------------

**VIII . RELIABILITY TEST :**

Test item	Specification	Test condition						
Solderability	More than 95% of the terminal electrode shall be covered With fresh solder.	Preheat : 155°C / 4 hours. Solder : Sn96.5 / Ag3 / Cu0.5 or equivalent Solder temp. : 235±5°C Flux : Rosin Dip time : 5±0.5 seconds						
Thermal shock test ( Temp. cycle )	Electrical oharacteristics shall not change more than ±20%	<table style="width: 100%; border: none;"> <tr> <td style="text-align: center;">Room temp. 15 minutes</td> <td style="text-align: center;">→</td> <td style="text-align: center;">-40 °C 30 minutes</td> </tr> <tr> <td style="text-align: center;">Room temp. 15 minutes</td> <td style="text-align: center;">→</td> <td style="text-align: center;">+105 °C 30 minutes</td> </tr> </table> <p>Total : 50 cycles</p>	Room temp. 15 minutes	→	-40 °C 30 minutes	Room temp. 15 minutes	→	+105 °C 30 minutes
Room temp. 15 minutes	→	-40 °C 30 minutes						
Room temp. 15 minutes	→	+105 °C 30 minutes						
Humidity test		Temperature : 40±2°C Humidity : 90±5% Time : 1000 hours						
High temp. Resistance test		Temperature : 105±5°C Applied current : Per spec. Time : 96 hours						

AR-001A



# SPECIFICATION FOR APPROVAL

REF :20080804-A

PAGE: 6

PROD. NAME	SHIELDED SMD POWER INDUCTOR	ABC'S DWG NO. ABC'S ITEM NO.	SU6025□□□□F□-□□□
---------------	--------------------------------	---------------------------------	------------------

**IX . UL CARD :**

OBMW2 August 27, 1999  
Magnet Wire-Component

ELEKTRISOLA (MALAYSLA) SDN BHD E143312  
IALAN DAMN SATU IANDA BAIK 28750 BENTONG, PAHANG  
DARUL MAKMUR MALAYSIA

Mtl Dsg	Mark Dsg	Coating Type		ANSI Typ	Temp Class
		BC	OC		
Estersol 160	E180	Polyesterimide (solderable)	—	MW-77	180
Amldester 200	A200	Polyesterimide	—	MW-74	200
Polysol-N 155	PN155	Polyurechane	Nylon	MW-80,	155,
				MW-28	100
Polysol 155	P155	Polyurechane	—	MW-79,	155,
				MW-79	130
Polysol 155g	Pg155	Polyurechane	—	MW-79	130
Polysol 155p	Pp155,Gp155	Polyurechane	—	MW-79	155
Polysol 160	P160	Polyurechane	—	MW-79	155
Polysol 180	P180	Polyurechane	—	MW-79	155
Polysol 170	P170 or G170	Polyurechane	—	MW-79	156
Polysol-N 180	PN180	Polyurechane	Nylon	—	180

Marking : Dompany name/nateriel designation or marked designation and factory identification on package ok reel

---

See General Information preceding These Recognitions  
For use only in equipment where the acceptability of the combination is determined by Underwriters Laboratories Inc.

AR-001A

