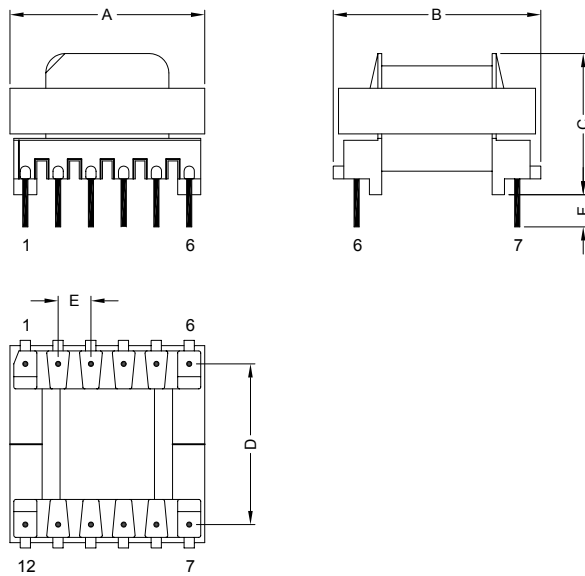


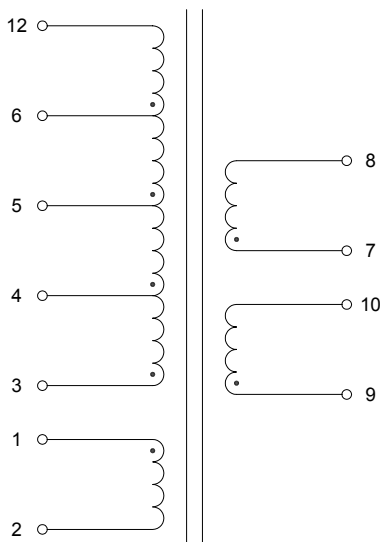
### 1. CONFIGURATION & DIMENSIONS :



Unit:m/m

A	B	C	D	E	F	H
31.40 Max.	33.27 Max.	23.50 Max.	25.00±0.50	5.00±0.30	5.00±0.50	Ø0.80 Ref.

### 2. SCHEMATIC :



NOTE : Specifications subject to change without notice. Please check our website for latest information.



**RoHS Compliant**

18.06.2008



**SUPERWORLD ELECTRONICS (S) PTE LTD**