

P-tec Corp. Tel:(800)688-0613  
 2405 Commerce Circle Tel:(719) 589 3122  
 Alamosa Co. 81101 Fax:(719) 589 3592  
 www.p-tec.net sales@p-tec.net



## PL008 Series Bi-Color SMD LED PLCC-4 Package

### Features

- \*PLCC-4 Package 3.2 x 2.8 x 1.9 mm
- \*GaAsP Yellow and GaP Green Chips used
- \*Very Wide Viewing Angle
- \*High Light Output
- \*IC Compatible
- \*Reliable and Rugged
- \*2000 pcs per 12 mm Reel
- \*RoHS Compliant

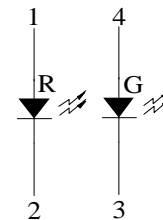
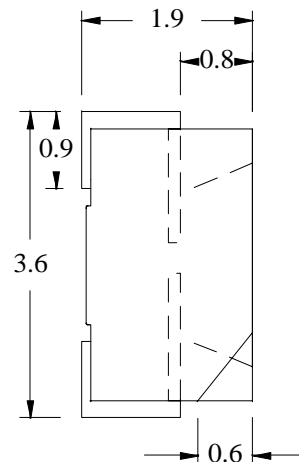
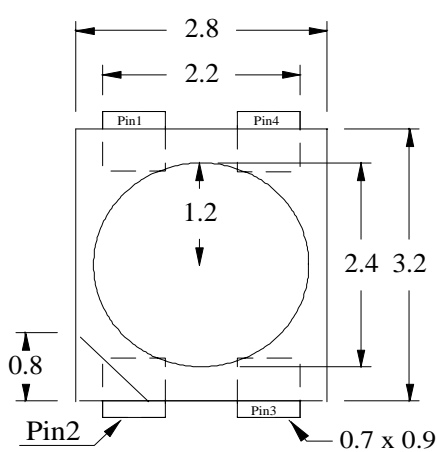
### Absolute Maximum Ratings at T<sub>A</sub> = 25 °C

Power Dissipation (Yellow).....	78mW
Power Dissipation (Green).....	78mW
Reverse Voltage (<100µA).....	5.0V
Max Forward Current.....	30mA
Peak Forward Current (1/10 Duty Cycle, 0.1ms Pulse Width).....	100mA
Operating Temperature Range.....	-25°C to + 85°C
Storage Temperature Range.....	-40°C to + 100°C
Reflow Soldering Temperature.....	260° for 5 seconds

### Electrical & Optical Characteristics at T<sub>A</sub> = 25 °C

Part Number	Emitting Color	Chip Material	Peak Wave Length	Dominant Wave Length	Viewing Angle 2θ ½	Forward Voltage @20mA (V)		Luminous Intensity @20mA (mcd)	
						Typ	Max	Min	Typ
Water Clear Lens			nm	nm					
PL008-WCYG0113	Yellow Green	GaAsP GaP	585	590	120°	2.1	2.6	9.0	15.0
			567	572		2.1	2.6	9.0	14.0

Package Dimensions are in **Millimeters**. Tolerance is ± 0.25mm unless otherwise specified.



### Recommended solder pad

