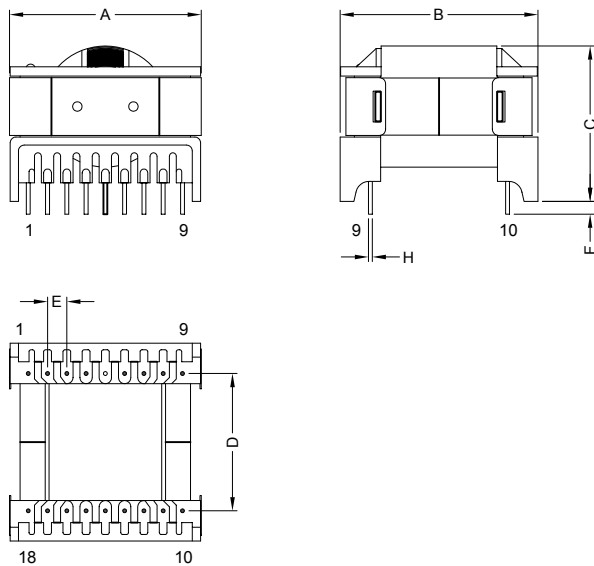


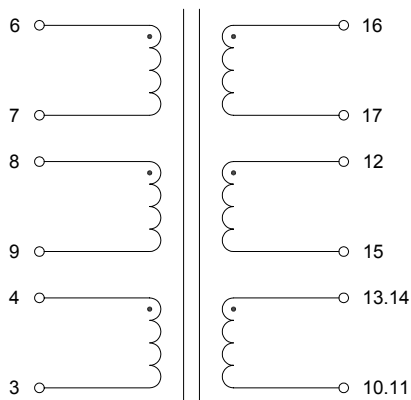
## 1. CONFIGURATION & DIMENSIONS :



Unit:m/m

A	B	C	D	E	F	H
51.00 Max.	53.00 Max.	43.00 Max.	35.60±0.50	5.00±0.20	3.30±0.50	Ø1.00 Ref.

## 2. SCHEMATIC :



NOTE : Specifications subject to change without notice. Please check our website for latest information.



**RoHS Compliant**

26.06.2008



**SUPERWORLD ELECTRONICS (S) PTE LTD**

### 3. SCHEMATIC :

- a) Bobbin : Phenolic
- b) Core : ETD44
- c) Wire : Polyurethane DD (2UEW)
- d) Tape : Polyester Film
- e) Teflon Tube : Cat No.: TEF TW-300
- f) Clip : ETD44
- g) Varnish : Synthite AC-43
- h) Copper Foil : 5mil

### 4. GENERAL SPECIFICATION :

- a) Operating Temperature Range : -25°C to +105°C
- b) Insulation Class : B (130°C)

### 5. ELECTRICAL CHARACTERISTICS :

Part No.	Inductance ( L )	Conditions	Test Frequency	DCR @ 25°C
ETDE4HTF-50773	L : (6-9) = 250uH±5%	tie:7+8	65KHz 0.1V	(6-7) = 30mΩ Max.
				(13.14-10.11) = 12mΩ Max.
				(12-15) = 29mΩ Max.
				(8-9) = 45mΩ Max.
				(4-3) = 0.41Ω Max.
				(16-17) = 0.23Ω Max.



**RoHS Compliant**

NOTE : Specifications subject to change without notice. Please check our website for latest information.

26.06.2008



**SUPERWORLD ELECTRONICS (S) PTE LTD**