

SOCKET STRIPS

- Available in 2 - 40 ways
- Breakable Strips
- 2.54mm Pitch

SINGLE - IN - LINE



SPECIFICATION

Mechanical Data

Insertion Force:	1.6N
Extraction Force:	0.9N
Contact Life:	Min 100 Cycles
Solderability:	Exceeds Mil - STD - 20 ² Method 208
Operating Temp:	-65 °C to +150 °C

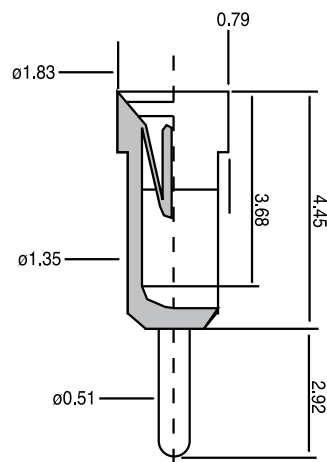
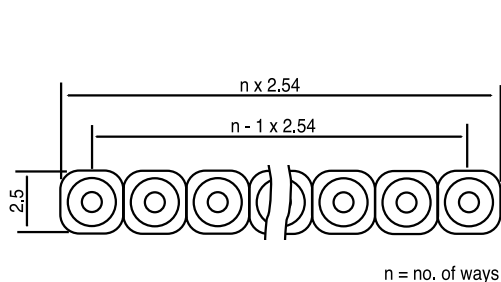
Electrical Data

Contact Resistance at IA:	4.3mΩ Typ
Current Rating:	3A Max

Material

Standard Insulator:	Glass Filled Polyester UL94V-0
----------------------------	-----------------------------------

OUTLINE DRAWING



ORDERING INFORMATION

DBC	IC	40	SIL
Dubilier Connectors	IC Socket	No of Ways 02 = 02ways Thro to 40 = 40ways	Single in Line