

# SMD Power Inductor CDEIR6D31F



## ■ Features

- ◎ Size: 7.3 × 7.1mm Max. (L × W) ,3.2mm Max height.
- ◎ Operating temperature range: -40°C~+105°C.
- ◎ Magnetically shielded.
- ◎ RoHS and Halogen-Free Compliance.

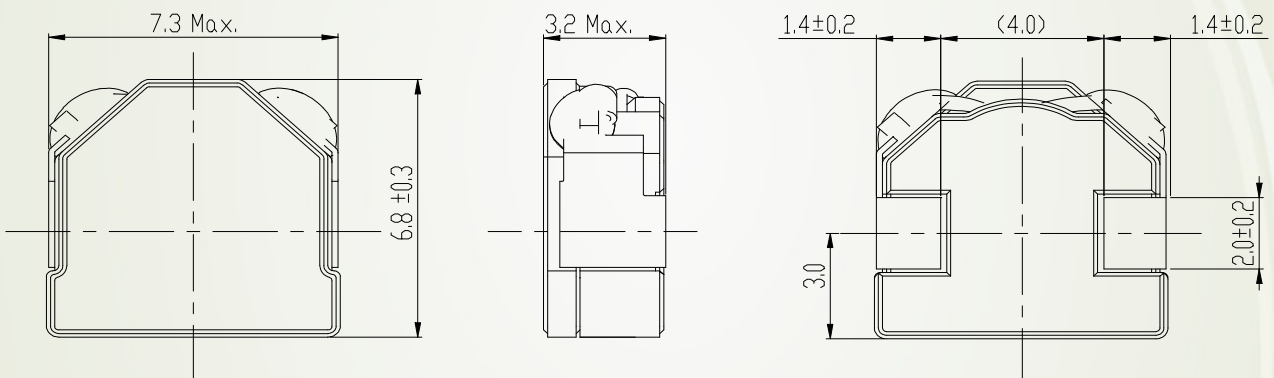


## ■ Applications

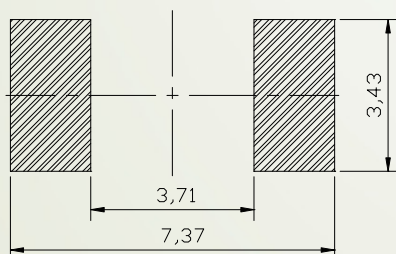
Low DCR high current SMD inductor for Mother board, Graphic card, Notebook, PDA and other high current application.

## ■ Shapes and Dimensions/Recommended Land Patterns(mm)

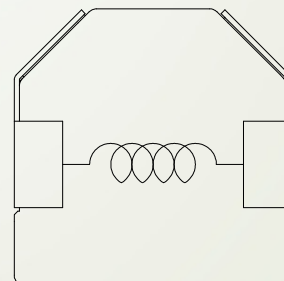
### ◆ Dimensions



### ◆ Land pattern



### ◆ Schematics (Bottom)



# SMD Power Inductor CDEIR6D31F



## ■Electrical Characteristics Specification.

Part No.	Stamp	Inductance 100kHz ( $\mu$ H)	D.C.R. Max.(typ.) (m $\Omega$ )	Saturation Current (A) ※1	Temperature Rise Current (A) ※2
CDEIR6D31FNP-1R0NC	1R0	1.0 $\pm$ 30%	8.8(7.3)	7.7(9.7)	7.4(8.5)
CDEIR6D31FNP-1R5NC	1R5	1.5 $\pm$ 30%	9.6 (8.0)	6.8(8.5)	6.8(7.9)
CDEIR6D31FNP-2R2MC	2R2	2.2 $\pm$ 20%	12(10)	6.0(7.5)	6.5(7.4)
CDEIR6D31FNP-3R3MC	3R3	3.3 $\pm$ 20%	19(15)	4.8(6.0)	5.5(6.3)
CDEIR6D31FNP-4R7MC	4R7	4.7 $\pm$ 20%	26(21)	4.0(5.0)	4.7(5.4)
CDEIR6D31FNP-5R6MC	5R6	5.6 $\pm$ 20%	29(23)	3.5(4.4)	4.4(5.0)
CDEIR6D31FNP-6R8MC	6R8	6.8 $\pm$ 20%	40(32)	3.0(3.8)	3.5(4.0)
CDEIR6D31FNP-8R2MC	8R2	8.2 $\pm$ 20%	43(34)	2.8(3.5)	3.6(4.1)
CDEIR6D31FNP-100MC	100	10.0 $\pm$ 20%	66(53)	2.6(3.2)	2.6(2.9)
CDEIR6D31FNP-120MC	120	12.0 $\pm$ 20%	76(61)	2.4(3.0)	2.2(2.5)

※ 1.Saturation Current: The DC current at which the inductance decreases to 70% of its nominal value.

※ 2.Temperature rise current: The DC current at which the temperature rise is  $\Delta t=40^{\circ}\text{C}$ .( $T_a=20^{\circ}\text{C}$ )

### For More Information

#### Hong Kong

Tel.+852-2880-6688  
FAX.+852-2565-9600

#### Shanghai

Tel.+86-021-58363299  
FAX.+86-021-58363266

#### Shenzhen

Tel.+86-755-82910228  
FAX.+86-755-82910338

#### Taipei

Tel.+886-2-27065228  
FAX.+886-2-27065229

#### Tokyo

Tel.+81-3-5202-7112  
FAX.+81-3-5202-7105

#### Seoul

Tel.+82-2-6237-0777  
FAX.+82-2-6237-0778

#### Singapore

Tel.+65-6296-3388  
FAX.+65-6296-3390

#### Malaysia

Tel.+60-3-8733-0900  
FAX.+60-3-8737-7384

#### Chicago

Tel.+1-847-545-6700  
FAX. +1-847-545-6720

#### California

Tel.+1-408-321-9660  
FAX. +1-408-321-9308

