



Data Sheet



Product Category: Filters

Series Number	Package	Description	Last Modified
753	Ceramic Trap	For TV / VCR	Jan. 01 2007

Filter FEATURES

- Wide bandwidth
- Low insertion loss ceramic trap
- Excellent spurious suppression characteristics
- TV SIF stage use
- RoHS Compliant



OPERATING CONDITIONS / ELECTRICAL CHARACTERISTICS / PART NUMBER GUIDE

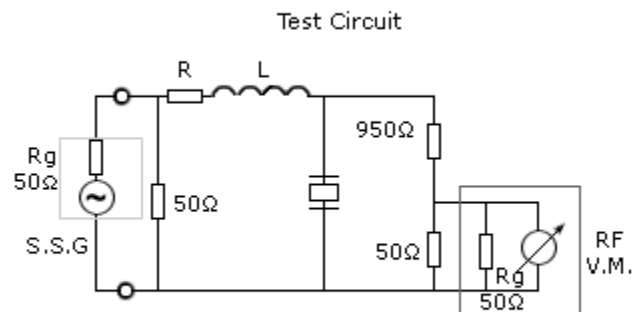
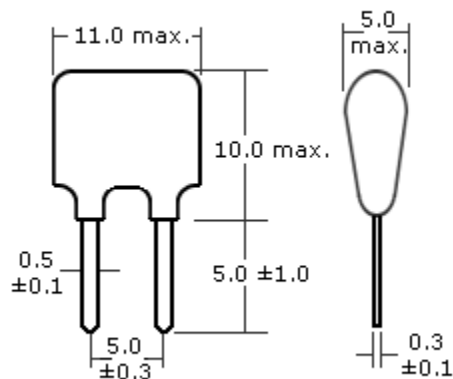
Part Number	Type	Frequency (fn1)	Attenuation (at fn1)	Matching Impedance (R/L)
		MHz	dB min.	ohm / nH
753-39.5M-A	XT/A	39.50 ±100KHz	130	33/220
753-39.75M-A	XT/A	39.75 ±100KHz	130	20/-
753-40.4M-A	XT/A	40.40 ±100KHz	130	33/220
753-40.7M-A	XT/A	40.70 ±100KHz	130	33/220
753-41.5M-A	XT/A	41.50 ±100KHz	130	33/220
753-47.25M-A	XT/A	47.25 ±100KHz	130	27/180

REFERENCE: The level at 1MHz shall be made for a reference (0dB)

NOTE: Deviations on all parameters available. Please consult Oscilent for details.

DEFINITIONS: Click on the characteristic names above, for definitions of the particular characteristic.

PACKAGE DIMENSIONS (mm)



Oscilent Corporation - CALL **949.252.0522**

18195 East McDermott Street . Building D . Irvine . CA 92614 . USA
 Fax: 949.252.0599 . E-Mail: Sales@Oscilent.com

Series No.: 753

