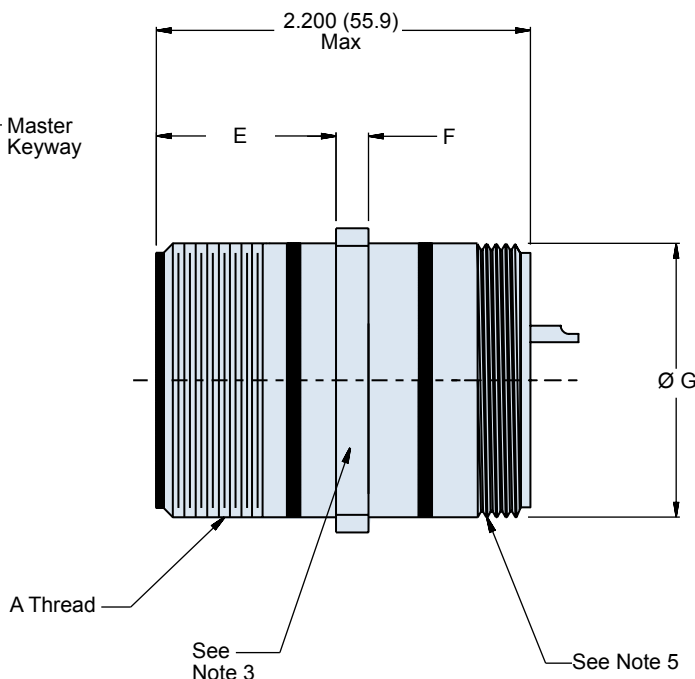
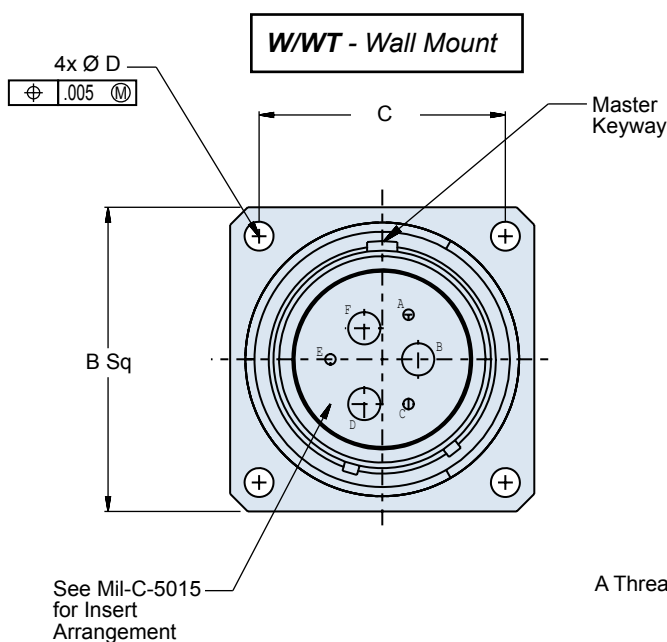
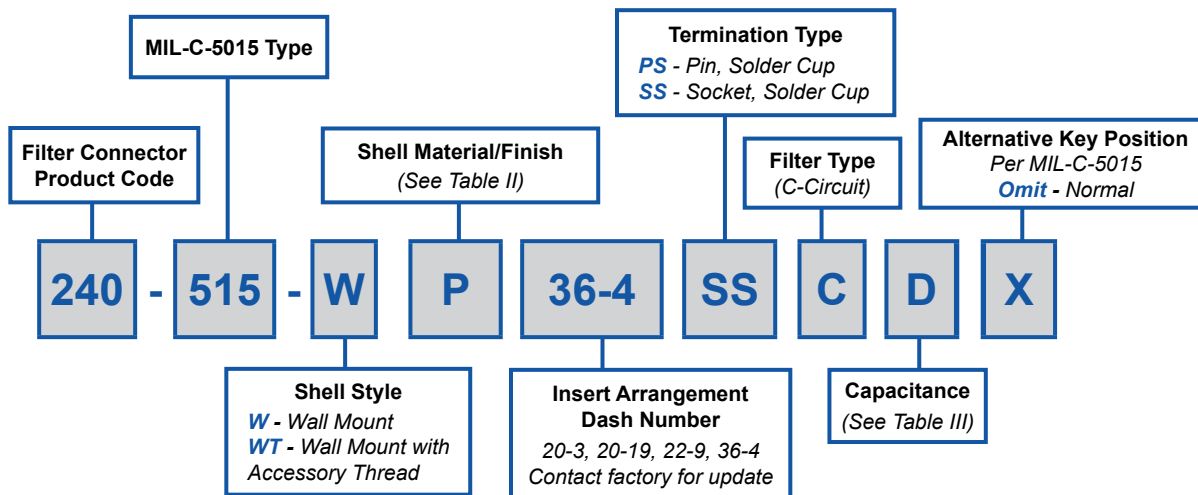




240-515-W Wall Mount Filtered Receptacle Connector (5015, MS3452 Type)



APPLICATION NOTES

- Materials/Finishes:
Shells - See Table II
Insulators - High grade thermoplastic/N.A.
Seals - Fluorosilicone/N.A.
Contacts - Copper Alloy/Gold Plated
- EMI Circular Filter Connector designed to meet MIL-DTL-5015
- Assembly to be identified with date code, cage code, Glenair P/N, and serial number
- Electrical Performance:
A - Capacitance - See Table III
B - I.R. 5000 Megohms min at 200 VDC
C - D.W.V. 500 VDC with 100 micro amps max leakage
- Shell style WT shown
- Metric dimensions (mm) are indicated in parentheses

240-515-W Wall Mount Filtered Receptacle Connector (5015, MS3452 Type)



TABLE I: DIMENSIONS

| Shell Size | A Thread Class 2A | B ±.031 (0.78) | C SBC | D +.010 (0.25) - .005 (0.13) | E Dia +.015 (0.38) - .000 (0) | F ±.015 (0.38) | Ø G ±.160 (4.06) |
|------------|-------------------|----------------|--------------|------------------------------|-------------------------------|----------------|------------------|
| 14S | .875 - 20 UNEF | 1.188 (30.2) | .906 (23.0) | .120 (3.0) | .562 (14.3) | .083 (2.1) | .875 (22.2) |
| 16S | 1.000 - 20 UNEF | 1.281 (32.5) | .969 (24.6) | .120 (3.0) | .562 (14.3) | .083 (2.1) | 1.000 (25.4) |
| 18 | 1.125 - 18 UNEF | 1.375 (34.9) | 1.062 (27.0) | .120 (3.0) | .750 (19.1) | .125 (3.2) | 1.062 (27.0) |
| 20 | 1.250 - 18 UNEF | 1.500 (38.1) | 1.156 (29.4) | .120 (3.0) | .750 (19.1) | .125 (3.2) | 1.187 (30.1) |
| 22 | 1.375 - 18 UNEF | 1.625 (41.3) | 1.250 (31.8) | .120 (3.0) | .750 (19.1) | .125 (3.2) | 1.312 (33.3) |
| 24 | 1.500 - 18 UNEF | 1.750 (44.5) | 1.375 (34.9) | .147 (3.7) | .812 (20.6) | .125 (3.2) | 1.437 (36.5) |
| 32 | 2.000 - 18 UNS | 2.250 (57.2) | 1.750 (44.5) | .173 (4.4) | .875 (22.2) | .125 (3.2) | 2.000 (50.8) |
| 36 | 2.250 - 16 UN | 2.500 (63.5) | 1.938 (49.2) | .173 (4.4) | .875 (22.2) | .125 (3.2) | 2.250 (57.2) |
| 40 | 2.500 - 16 UN | 2.750 (69.9) | 2.188 (55.6) | .173 (4.4) | .875 (22.2) | .125 (3.2) | 2.500 (63.5) |

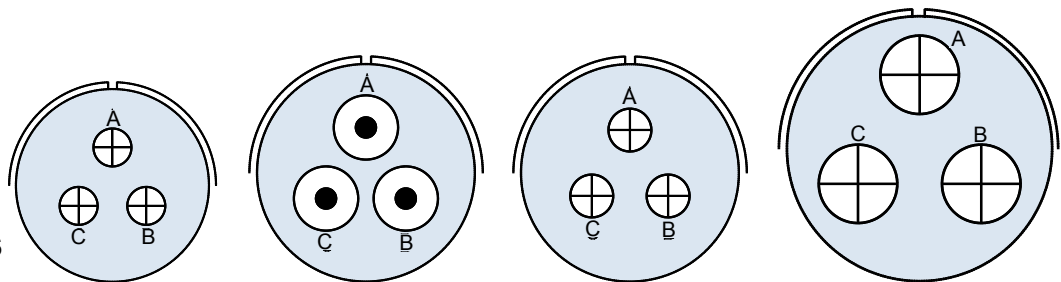
TABLE III: CAPACITOR ARRAY CODE AND CAPACITANCE RANGE

| CLASS | C - SECTION (pF) |
|-------|------------------|
| X | 80,000 - 120,000 |
| Y | 40,000 - 60,000 |
| Z | 30,000 - 45,000 |
| A | 19,000 - 28,000 |
| B | 16,000 - 22,500 |
| C | 9,000 - 16,500 |

TABLE II: SHELL MATERIAL/FINISH

| Symbol | Material | Finish Description |
|--------|-----------------|--|
| M | Aluminum | Electroless Nickel |
| NF | | Cadmium Olive Drab Over Electroless Nickel |
| P | Stainless Steel | Electro-Deposited Nickel |

Example Contact Arrangements



| | | | | |
|----------------|------|-------|------|------------|
| Arrangement | 20-3 | 20-19 | 22-9 | 36-4 |
| Contact Size | 12 | 8 | 12 | 0 |
| Service Rating | D | A | E | A=D; B,C=A |

