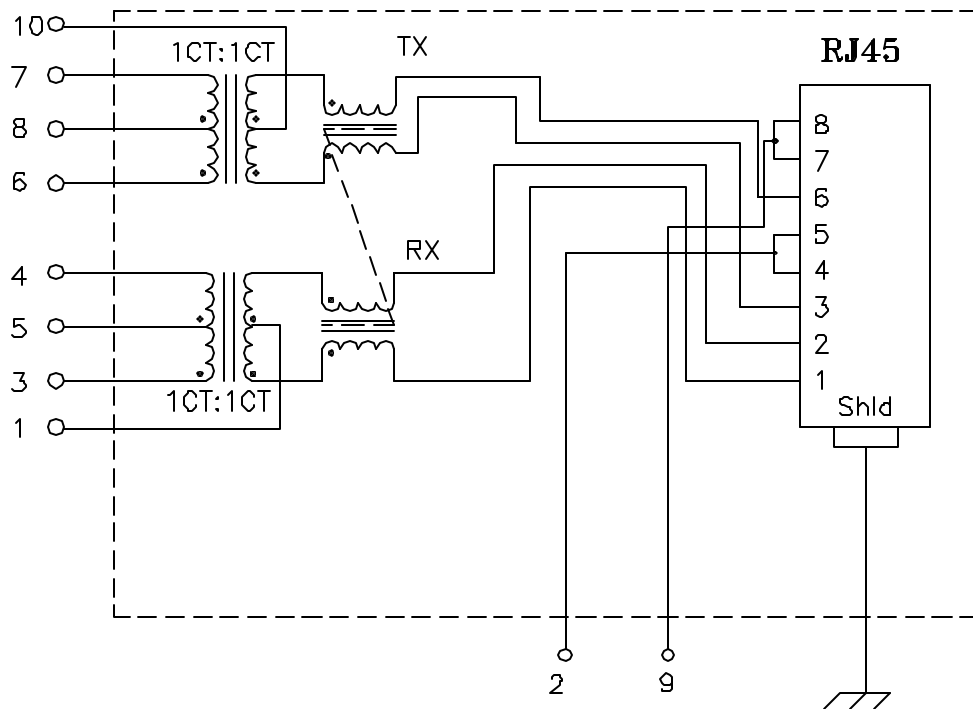


Schematic:



Electrical Specifications: @25°C

Isolation Voltage: 1500 Vrms (Input to Output)
 Isolation Voltage: 500 Vrms (P7+8+6 to P4+5+3)
 Turns Ratio: TX 1CT:1CT ±3% RX 1CT:1CT ±3%
 Insertion Loss: 1.2dB Max @1-100 MHz
 Return Loss: 1-3MHz 40MHz 50MHz 60-80MHz
 16dB 14dB 13dB 12dB (Min)
 Differential to Common Mode Rejection:
 30MHz 60MHz 1000MHz
 50dB 43dB 35dB (Min)
 Cross Talk: 30MHz 60MHz 100MHz
 43dB 37dB 33dB (Min)
 DC Current: 350mA

Notes:

1. Solderability: Leads shall meet MIL-STD-202, Method 208D for solderability.
2. Flammability: UL94V-0
3. ASTM oxygen index: > 28%
4. Temperature rating: 155°C. UL file E151556
5. Operating Temperature Range: All listed parameters are to be within tolerance from -40°C to +85°C

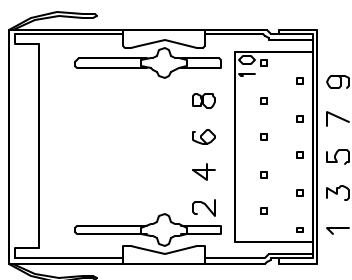
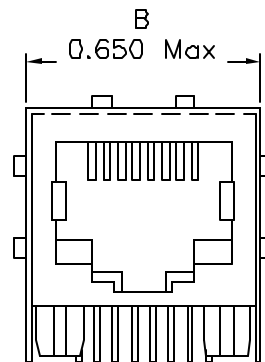
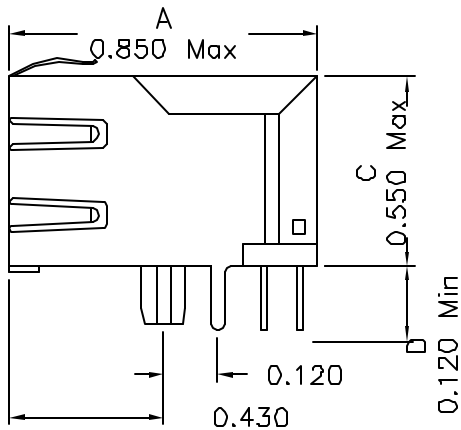
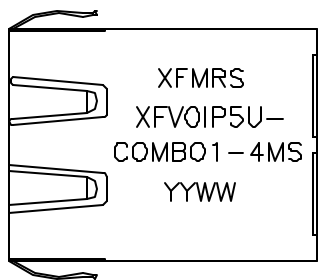
DOC. REV: A/1

XFMS Inc.	Title: Mechanical Dimensions For COMBO1-4MS Series		
	UNLESS OTHERWISE SPECIFIED	P/N: XFVOIP5U-COMBO1-4MS	REV. A
	TOLERANCES: .xxx ±0.010	DWN. 罗振江	Apr-05-04
	Dimensions in Inch	CHK. 廖玉坤	Apr-05-04
SHEET 1 OF 2	APP. BW	Apr-05-04	

PROPRIETARY:

Document is the property of XFMS Group & is not allowed to be duplicated without authorization.

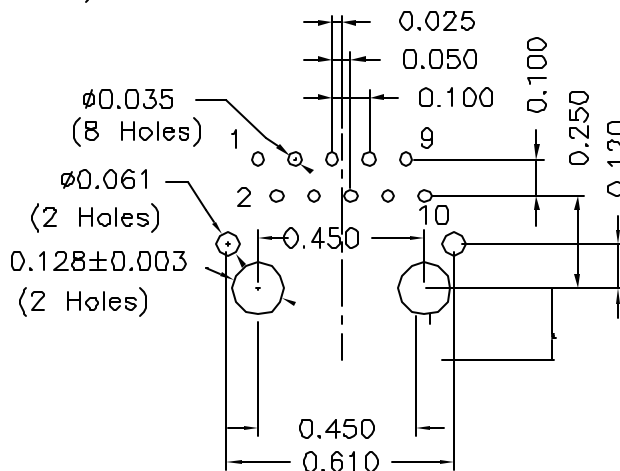
Mechanical Dimensions:



(BOTTOM VIEW)

Mounting Pattern:

(FOR COMBO1-4MS)
(COMP SIDE)



DOC. REV: A/1

PROPRIETARY:

Document is the property of XFMRS Group & is not allowed to be duplicated without authorization

XFMRS Inc.	Title: Mechanical Dimensions For COMBO1-4MS Series		
	UNLESS OTHERWISE SPECIFIED TOLERANCES: .xxx ±0.010 Dimensions in Inch	P/N: XFV0IP5U-COMBO1-4MS	REV. A
	DWN.	罗振江	Apr-05-04
	CHK.	廖玉坤	Apr-05-04
SHEET 2 OF 2	APP.	BW	Apr-05-04