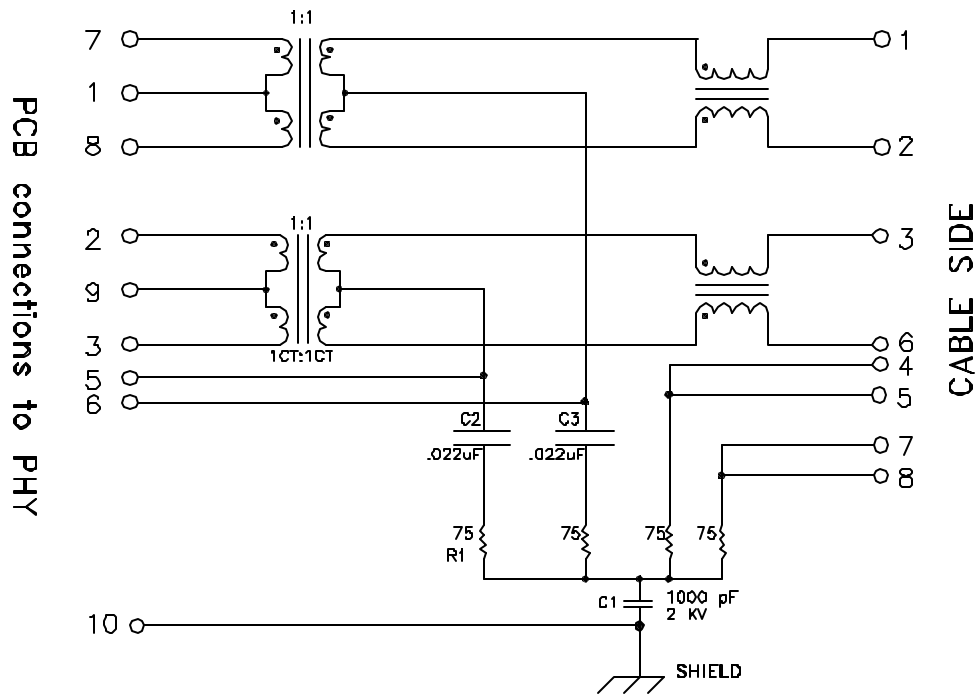
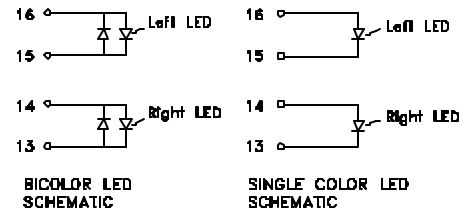


**Schematic:**



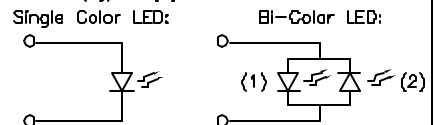
**Electrical Specifications: @25°C**

Isolation Voltage: 1500 VAc (Input to Output)  
 Turns Ratio: TX 1CT:1CT ±3% RX 1CT:1CT ±3%  
 Insertion Loss(TX/RX): -1.0dB Typ @1-100 MHz  
 Return Loss: 1-10MHz 30MHz 60-80MHz  
                   -20dB       -16dB       -12dB (Typ)  
 Cross Talk: 1-10MHz 30MHz 60-80MHz  
                   -40dB       -35dB       -30dB (Typ)  
 Common Mode Rejection: 1-50MHz 50-130MHz  
   -26dB       -20dB(Typ)  
 DC Current: 350mA



Complete the Combo P/N as follows:

Replace 'x' & 'u' in the part number with one of the LED color letters:  
 Y=Yellow                    'x' = Left LED Color  
 G=Green                     'u' = Right LED Color  
 A=Amber  
 R=Red  
 C=Green(1)/Amber(2) Bicolor  
 D=Amber(1)/Green(2) Bicolor  
 M=Green(1)/Yellow(2) Bicolor  
 N=Yellow(1)/Green(2) Bicolor  
 P=Red(1)/Green(2) Bicolor  
 Q=Green(1)/Red(2) Bicolor



**Notes:**

1. Solderability: Leads shall meet MIL-STD-202, Method 208D for solderability.
2. Flammability: UL94V-0
3. ASTM oxygen index: > 28%
4. Temperature rating: 155°C. UL file E151556
5. Operating Temperature Range: -40°C to +85°C

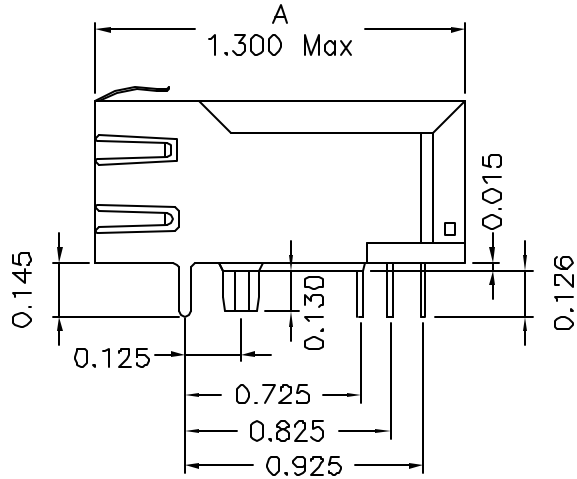
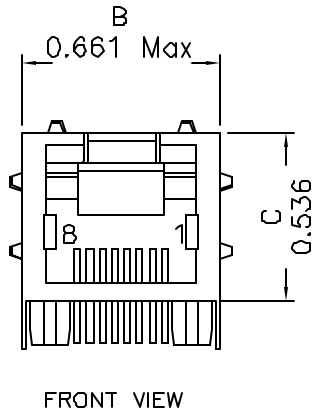
DOC. REV: A/1

<b>XFMS Inc.</b>	Title: <b>SINGLE PORT COMBO</b>		
	UNLESS OTHERWISE SPECIFIED TOLERANCES: .xxx ±0.010 Dimensions in Inch	P/N: XFV0IP5Q-CTxu1-4L	REV. A
SHEET 1 OF 2	DWN.	Juan Mao	Apr-2-04
	CHK.	YK Liao	Apr-2-04
	APP.	<b>BW</b>	Apr-2-04

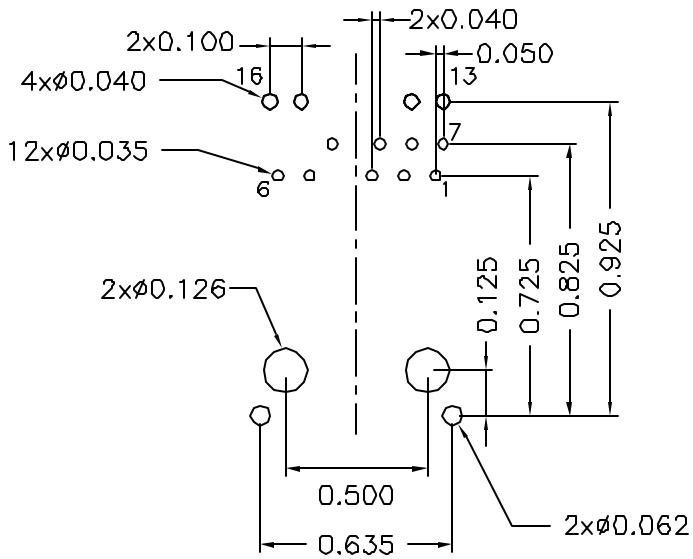
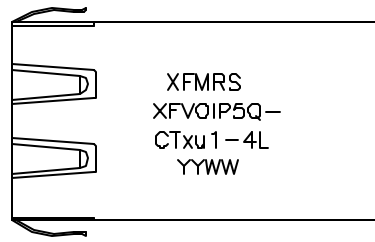
**PROPRIETARY:**

Document is the property of XFMS Group & is not allowed to be duplicated without authorization.

### Mechanical Dimensions:



### Mounting Pattern:



DOC REV: A/1

<b>XFMR5 Inc.</b>		Title: Mechanical Dimensions For TAB UP RJ45 COMBO	
UNLESS OTHERWISE SPECIFIED TOLERANCES: .xxx ±0.010 Dimensions in Inch		P/N: XFVOIP5Q-CTxu1-4L	REV. A
		DWN.	罗振江 Apr-02-04
		CHK.	廖玉坤 Apr-02-04
SHEET 2 OF 2		APP.	BW Apr-02-04

**PROPRIETARY:**

Document is the property of XFMR5 Group & is not allowed to be duplicated without authorization.