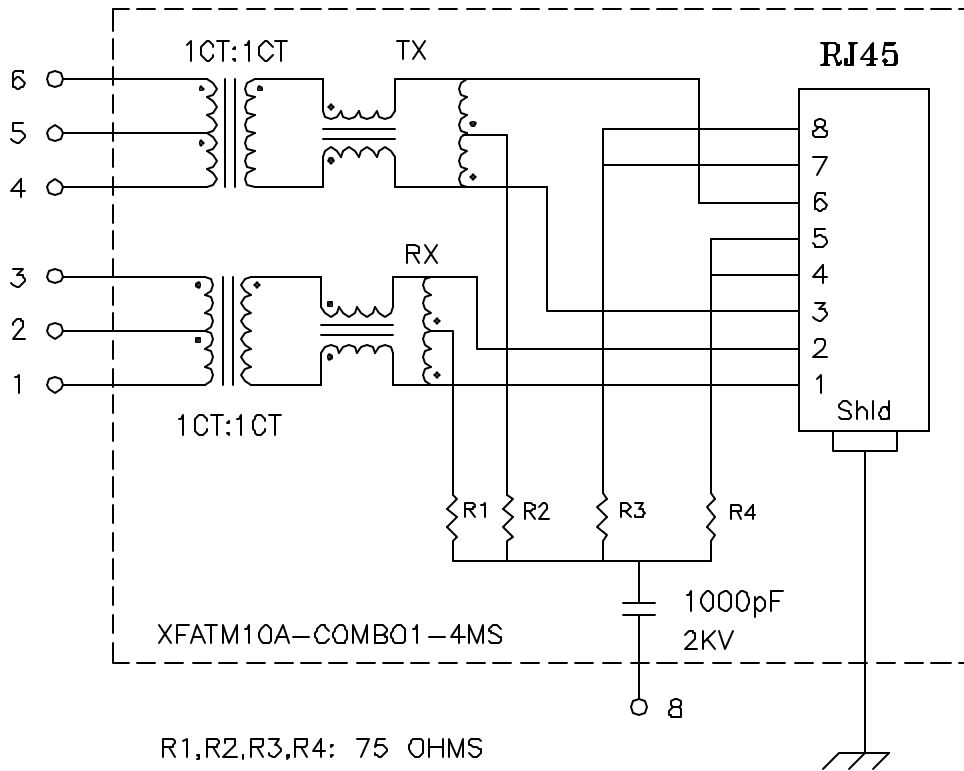


Schematic:



Electrical Specifications: @25°C

Isolation Voltage: 1500 Vrms (Input to Output)
 Isolation Voltage: 500 Vrms (P1+2+3 to P4+5+6)
 Turns Ratio: TX 1CT:1CT $\pm 3\%$ RX 1CT:1CT $\pm 3\%$
 CABLE SIDE OCL: 350uH Minimum @100KHz 100mV 8mADC
 Cw/w: 27pF Typical @100KHz 100mV
 Insertion Loss (300KHz-100MHz): 1.0dB Max
 Return Loss: @30MHz 18dB Minimum
 @80MHz 12dB Minimum
 Common Mode to Differential Mode Rejection:
 100KHz-60MHz -45dB Typ (Tx) / -40dB Typ (Rx)
 60MHz-100MHz -40dB Typ (Tx) / -35dB Typ (Rx)

Notes:

1. Solderability: Leads shall meet MIL-STD-202, Method 208D for solderability.
2. Flammability: UL94V-0
3. ASTM oxygen index: > 28%
4. Insulation System: Class F 155°C, UL file E151558
5. Operating Temperature Range: All listed parameters are to be within tolerance from -40°C to +85°C
6. Storage Temperature Range: -55°C to +125°C
7. Aqueous wash compatible
8. SMD Lead Coplanarity: $\pm 0.004"$ (0.102mm)
9. Moisture Sensitivity: Level 2
10. Electrical and mechanical specifications 100% tested
11. RoHS Compliant Component

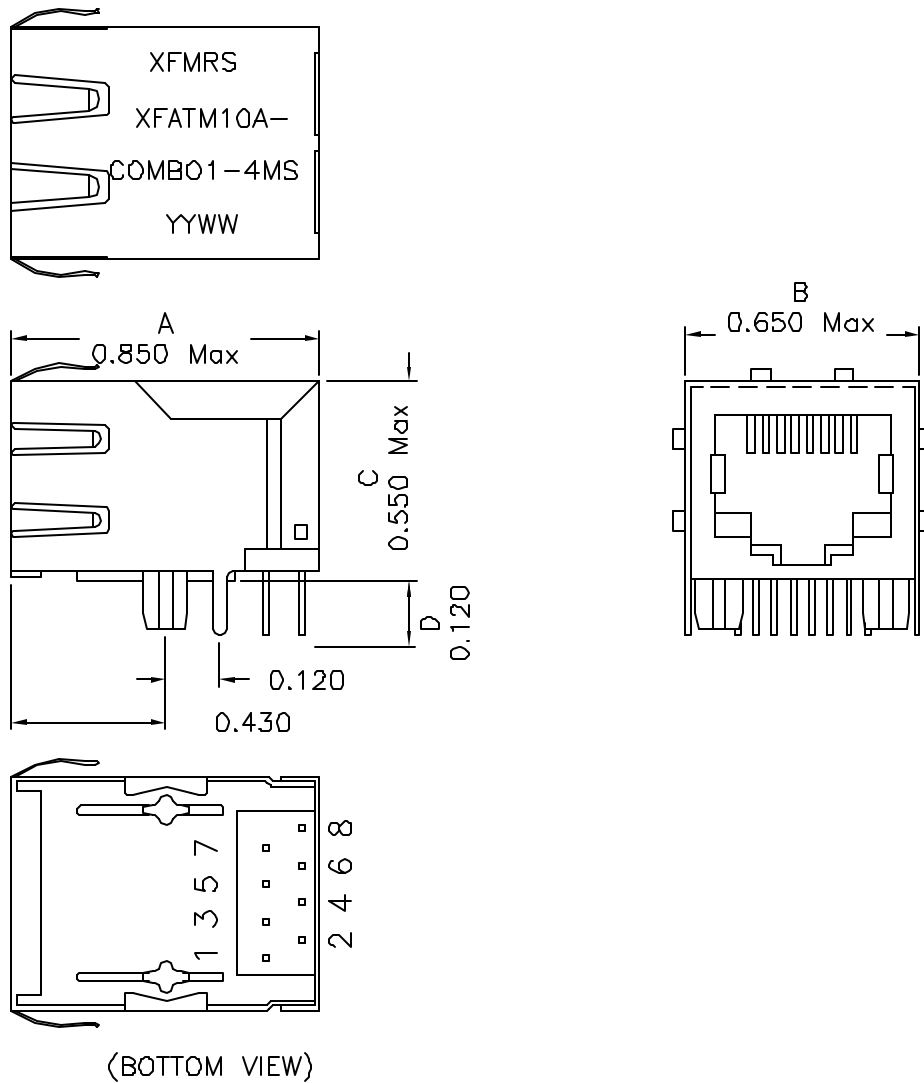
DOC. REV: A/2

PROPRIETARY:

Document is the property of XFMRs Group & is not allowed to be duplicated without authorization.

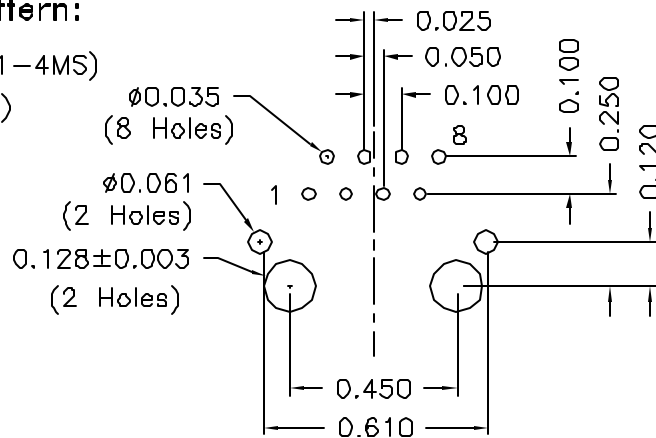
XFMRs Inc www.XFMRs.com		Title: SINGLE PORT COMBO	
UNLESS OTHERWISE SPECIFIED TOLERANCES: .xxx ± 0.010 Dimensions in Inch		P/N: XFATM10A-COMBO1-4MS	REV. A
DWN.	罗振江	Nov-23-04	
CHK.	廖玉坤	Nov-23-04	
SHEET 1 OF 2	APP.	J Ng	Nov-23-04

Mechanical Dimensions:



Mounting Pattern:

(FOR COMBO1-4MS)
(COMP SIDE)



DOC REV: A/2

XFMRs Inc www.XFMRs.com	Title: Mechanical Dimensions For COMBO1-4MS Series		
	UNLESS OTHERWISE SPECIFIED TOLERANCES: .xxx ± 0.010 Dimensions in Inch		P/N: XFATM10A-COMBO1-4MS REV. A
	DWN.	刘鹏	Nov-23-04
	CHK.	李小锋	Nov-23-04
SHEET 2 OF 2	APP.	J Ng	Nov-23-04

PROPRIETARY:

Document is the property of XFMRs Group & is not allowed to be duplicated without authorization.