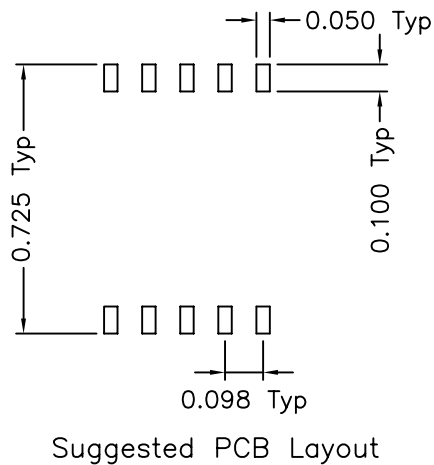
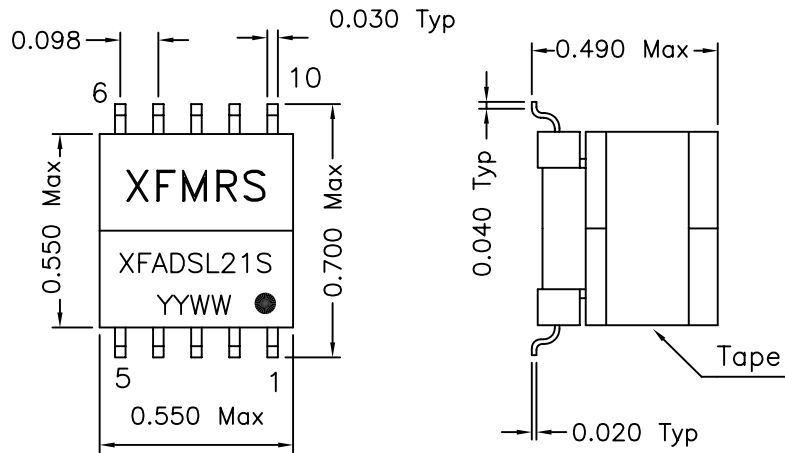
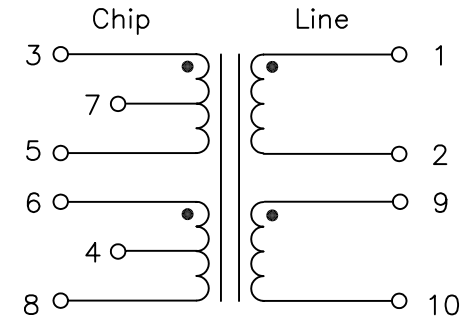


1. Mechanical Dimensions:



2. Schematic:



3. Electrical Specifications:

- OCL: (Pins 1-10) 1.025mH $\pm 5\%$ 300KHz, .1V
 Leakage L: (Pins 1-10) 10.0uH Max 300KHz, 0.1V
 Short Pins 3-5-6-8, tie 2-9
 Turns Ratio: (1-10):(3-8) 1CS:1CS $\pm 2\%$ Tie 5-6&2-9
 DC Res: (Pins 3-5) 0.500 Ohms Max
 DC Res.: (Pins 6-8) 0.500 Ohms Max
 DC Res: (Pins 1-2) 0.500 Ohms Max
 DC Res.: (Pins 9-10) 0.500 Ohms Max
 HYPOT: 1500VAC Chip-Line
 HYPOT: 1500VAC Wdgs-Core
 Operating Temp.: -40 to +85°C

Specifications are subject to change without prior notice.

DOC. REV: A/1

XFMRS Inc	Title: ADSL TRANSFORMER	
	UNLESS OTHERWISE SPECIFIED TOLERANCES: .xxx ± 0.010 Dimensions in INCH	P/N: XFADSL21S REV. A
	DWN.	李清儿 May-02-00
	CHK.	孙小松 May-02-00
SHEET 1 OF 1	APP.	Joe Huff May-02-00

THIS DOCUMENT IS STRICTLY NOT ALLOWED TO BE DUPLICATED WITHOUT AUTHORIZATION