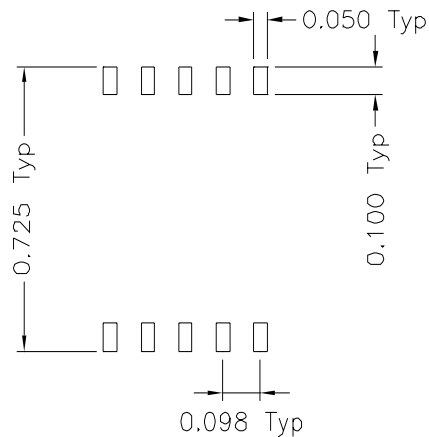
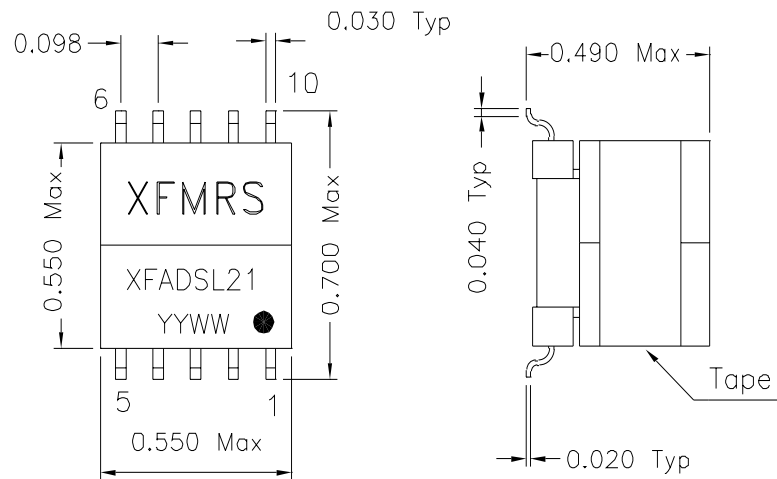
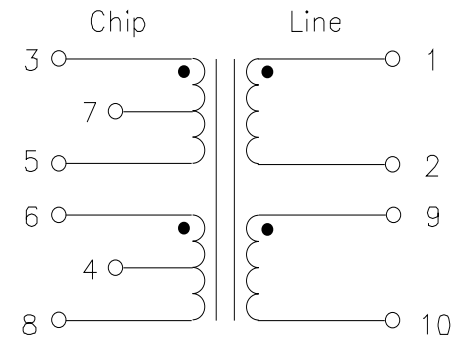


1. Mechanical Dimensions:



Suggested PCB Layout

2. Schematic:



3. Electrical Specifications:

- OCL: (Pins 1-10) 1.025mH ±5% 300KHz, .1V
- Leakage L: (Pins 1-10) 10.0uH Max 300KHz, 0.1V
- Short Pins 3-5-6-8, tie 2-9
- Turns Ratio: (1-10):(3-8) 1CS:1CS±2% Tie 5-6&2-9
- DC Res: (Pins 3-5) 0.500 Ohms Max
- DC Res.: (Pins 6-8) 0.500 Ohms Max
- DC Res: (Pins 1-2) 0.500 Ohms Max
- DC Res.: (Pins 9-10) 0.500 Ohms Max
- HYPOT: 1500VAC Chip-Line
- HYPOT: 1500VAC Wdgs-Core
- Operating Temp.: -40 to +85°C

Specifications are subject to change without prior notice.

DOC. REV: A/1

XFMRS Inc	Title: ADSL TRANSFORMER		
	UNLESS OTHERWISE SPECIFIED	P/N: XFADSL21	REV. A
TOLERANCES: .xxx ±0.010	DWN.	李清儿	May-02-00
Dimensions in INCH	CHK.	孙悦	May-02-00
SHEET 1 OF 1	APP.	Joe Huff	May-02-00