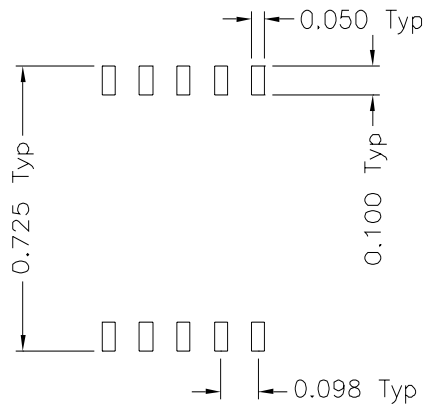
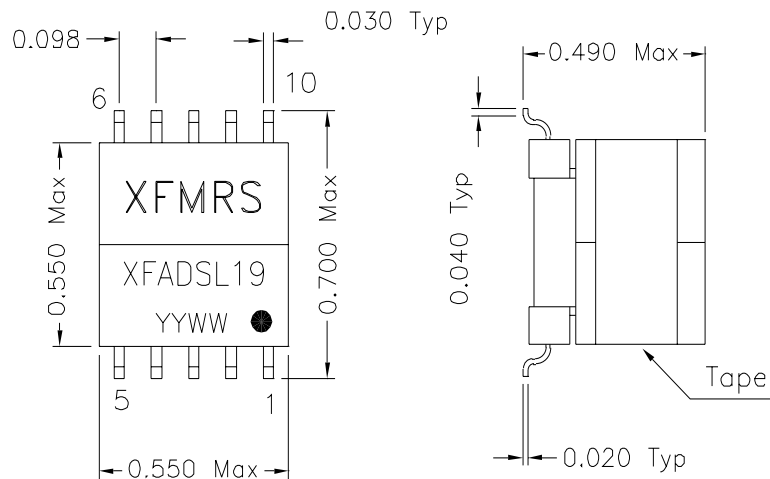
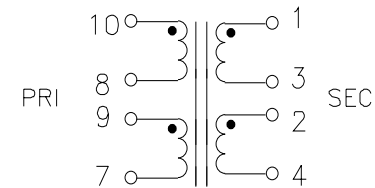


1. Dimensions:



Suggested PCB Layout

2.Schematic:



3.Electrical Specifications: @25°C

Turns Ratio: (P10-7):(P1-4) = 1.2:1 ±2% (TIE P3-2,P8-9)

PIN1-4 OCL: 120uH ±10% @100KHz 2.0V TIE P2-3 Ls

PIN1-4 LL: 4.0uH Max @100KHz 0.1V

(CONNECT PIN3-2, PIN8-9,PIN10-7) Ls

CW/W: PIN1-10 30pF Max. @10KHz 1.0V (TIE P3-2,P8-9) Cs

DC Res.: P10-8,P9-7 0.440 Ohms ±15%

P1-3 0.325 Ohms ±15%

P2-4 0.415 Ohms ±15%

Impedance: Designed to reflect 100 Ohms on the PRI
with 83 Ohms load on SEC

Frequency Response: ±0.1dB 100KHz-1.1MHz, 300KHz ref.

Insertion Loss: 0.5dB Max @300KHz

THD: -80dB Max. @100KHz 4.8V Across PRI 69 Ohms load,
100 Ohms input, TIE P8-9,P3-2

Longitudinal Balance: 46dB Min.@10KHz-1.0MKHz Per ITU Method
(L->M). with terminal 1 grounded.

HIPOT: 2000VAC for 1 second between P10-1(Tie P8-9,P2-3)

Designed to meet UL1950 requirements for Supplementary Insulation
with 250 working volts.

DOC. REV A/2

XFMRS Inc	Title: TRANSFORMER		
	UNLESS OTHERWISE SPECIFIED	P/N: XFADSL19	REV. A
TOLERANCES: .xxx ±0.010	DWN.	廖玉坤	Feb-29-00
Dimensions in INCH	CHK.	李清儿	Feb-29-00
SHEET 1 OF 1	APP.	Joe Huff	Feb-29-00