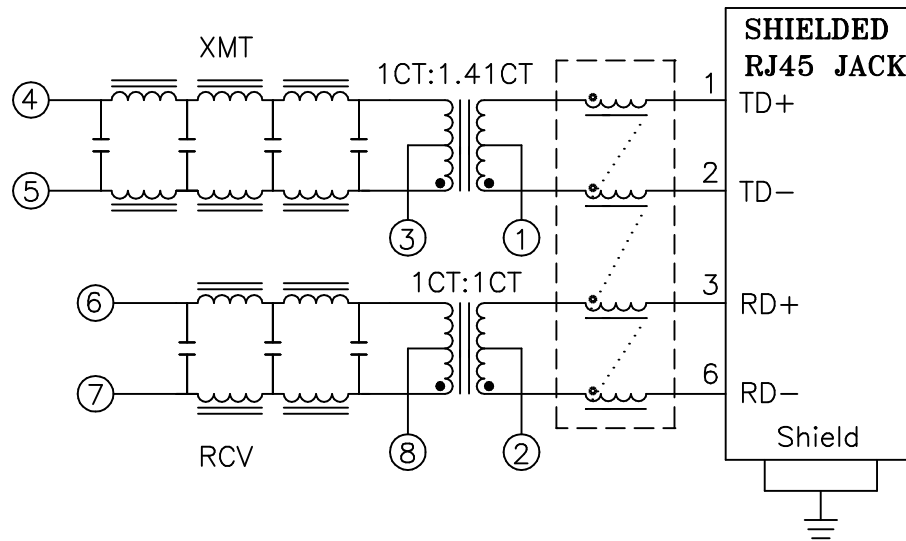


## 1. Schematic:



## 2. Electrical Specifications: @25°C

ISOLATION: 1500 VRMS

INSERTION LOSS (1-10MHz): -1dB Maximum

ATTENUATION @30MHz:

TRANSMIT -30dB Minimum

RECEIVER -18dB Minimum

RETURN LOSS (1-10MHz): -15dB Minimum

CUTOFF FREQUENCY: 17MHz TYPICAL

CROSSTALK (1-10MHz): -30dB Minimum

I/O IMPEDANCE: 100:100 OHMS (RX)

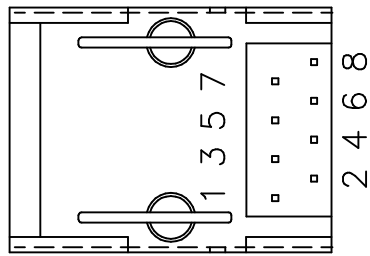
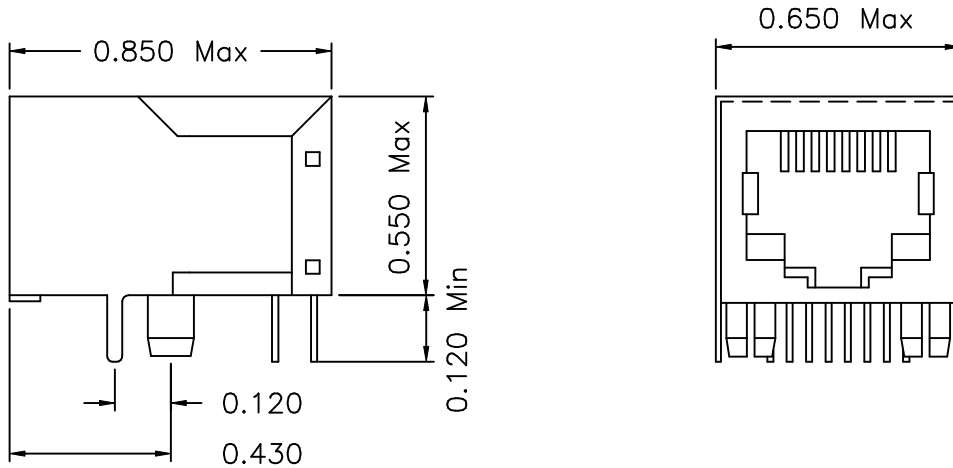
I/O IMPEDANCE: 50:100 OHMS (TX)

Doc Rev.: A/1

<b>XFMRs Inc.</b>	Title: <b>SINGLE PORT COMBO</b>		
UNLESS OTHERWISE SPECIFIED TOLERANCES: .xxx ±0.010 Dimensions in Inch	P/N: XF10BASEA-COMBO1-2S	REV. A	
	DWN.	廖玉坤	Apr-11-01
	CHK.	李清儿	Apr-11-01
SHEET 1 OF 2	APP.	Isaiah M	Apr-11-01

# Mechanical Dimensions:

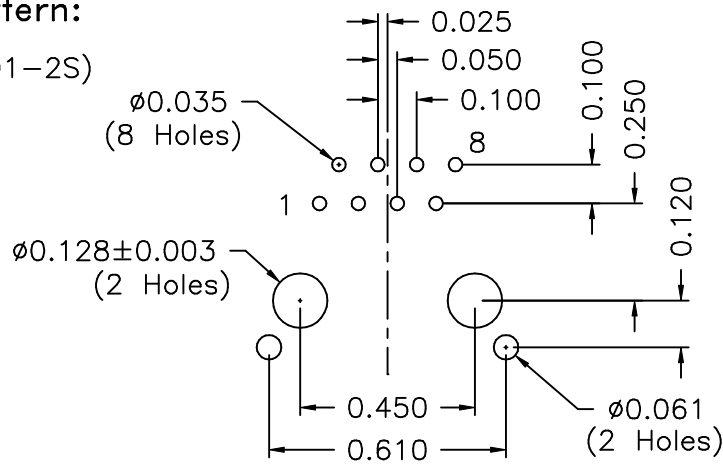
**XFMR5**  
 XF10BASEA-  
 COMB01-2S  
 YYWW



(BOTTOM VIEW)

## Mounting Pattern:

(FOR COMB01-2S)  
(COMP SIDE)



DOC. REV.A/1

<b>XFMR5 Inc.</b>	Title: Mechanical Dimensions For COMB01-2S Series		
	UNLESS OTHERWISE SPECIFIED TOLERANCES: .xxx ±0.010 Dimensions in Inch	P/N: XF10BASEA-COMB01-2S	REV.A
		DWN.	廖玉坤
		CHK.	李清儿
SHEET 2 OF 2	APP.	Isaiah M	Apr-11-01