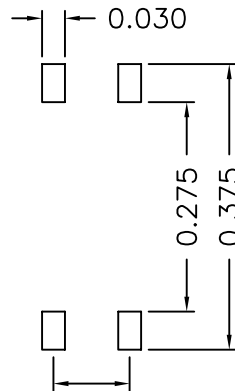
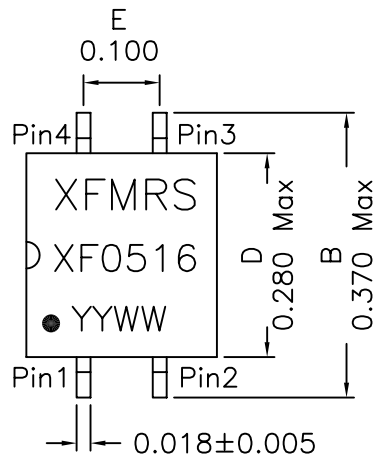
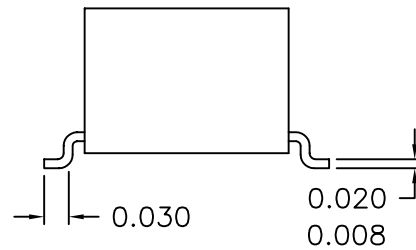
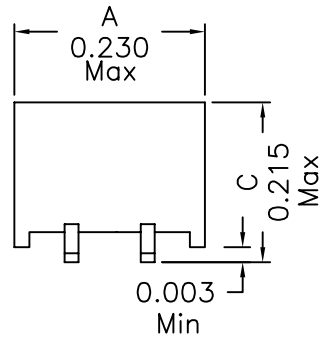
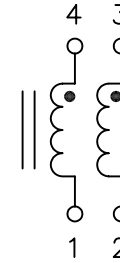


## 1. Dimensions:



## 2. Schematic:



## 3. Electrical Specifications

Rated Voltage: 80Vdc

Rated Current: 0.5Aac

DC Res.: 0.30 Ohms Max each wdg.

Impedance: 1000 Ohms Min @10MHz-100MHz

Insulation resistance: 100 MOhms Min

Isolation: 200Vrms

### Notes:

1. Solderability: Leads shall meet MIL-STD-202, Method 208D for solderability.
2. Flammability: UL94V-0
3. ASTM oxygen index: > 28%
4. Insulation System: Class F 155°C. UL file E151556
5. Operating Temperature Range: -40°C to +125°C
6. Storage Temperature Range: -55°C to +125°C
7. Aqueous wash compatible

DOC. REV: A/8

<b>XFMRS Inc</b>	Title: <b>Common Mode Choke</b>		
UNLESS OTHERWISE SPECIFIED TOLERANCES: .xxx ±0.010 Dimensions in Inch	P/N: XF0516-00SM	REV A	
	DWN.	李小锋	Feb-17-04
Scale 2.5:1 SHT 1 OF 1	CHK.	廖玉坤	Feb-17-04
	APP.	BW	Feb-17-04