

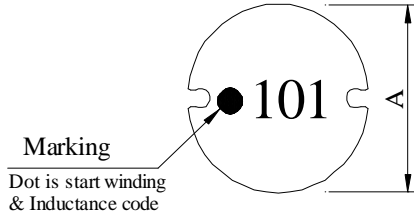
SPECIFICATION FOR APPROVAL

REF : 20090505-D

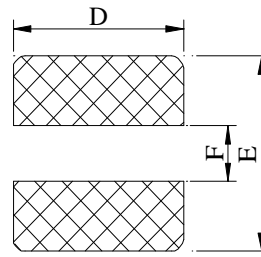
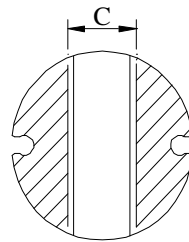
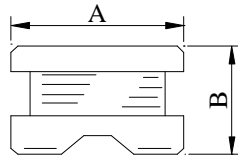
PAGE: 1

PROD. NAME	SMD POWER INDUCTOR	ABC'S DWG NO. ABC'S ITEM NO.	SR1006□□□□L□-□□□
---------------	---------------------------	---------------------------------	------------------

I . CONFIGURATION & DIMENSIONS :



- A : 9.5±0.3 m/m
- B : 5.5±0.3 m/m
- C : 2.9 ref. m/m
- D : 10.0 ref. m/m
- E : 10.0 ref. m/m
- F : 2.8 ref. m/m



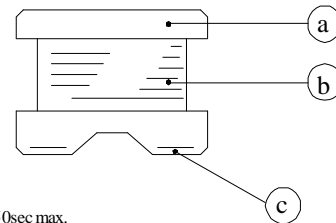
(PCB Pattern)

II . SCHEMATIC DIAGRAM :



III . MATERIALS :

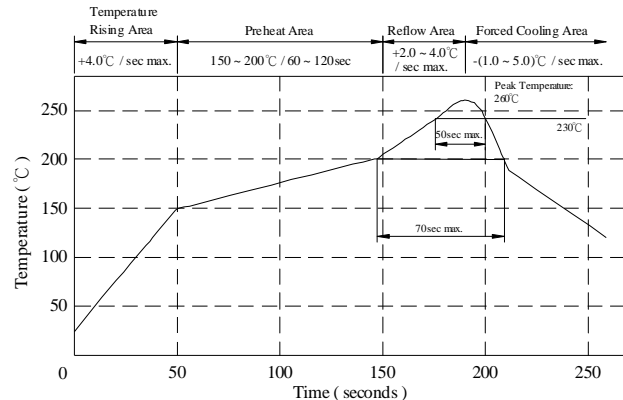
- a . Core : Ferrite DR core
- b . Wire : Enamelled copper wire (class F & H)
- c . Terminal : Ag/Ni/Sn
- d . Remark : Products comply with RoHS' requirements



Peak Temp : 260°C max.
 Max time above 230°C : 50sec max.
 Max time above 200°C : 70sec max.

IV . GENERAL SPECIFICATION :

- a . Temp. rise : 40°C max.
- b . Rated current : Base on temp. rise & $\Delta L / L0A=10\%$ max.
- c . Storage temp. : -40°C ----+125°C
- d . Operating temp. : -40°C ----+105°C
- e . Resistance to solder heat : 260°C.10 secs.



AR-001A

SPECIFICATION FOR APPROVAL

REF : 20090505-D

PAGE: 2

PROD. NAME	SMD POWER INDUCTOR	ABC'S DWG NO.	SR1006□□□□L□-□□□
		ABC'S ITEM NO.	

V . ELECTRICAL CHARACTERISITCS :

DWG No.	Inductance (μH)	Q ref.	Test Freq. (Hz)		SRF (MHz) nom.	RDC (Ω) max.	IDC (A) max.
			L	Q			
SR10061R5ML□-□□□	1.5±20%	35	1K	7.960M	105.0	0.018	6.40
SR10062R2ML□-□□□	2.2±20%	35	1K	7.960M	68.0	0.021	5.40
SR10063R3ML□-□□□	3.3±20%	34	1K	7.960M	55.0	0.024	5.00
SR10063R9ML□-□□□	3.9±20%	34	1K	7.960M	48.0	0.027	4.60
SR10064R7ML□-□□□	4.7±20%	33	1K	7.960M	40.0	0.036	4.00
SR10065R6ML□-□□□	5.6±20%	33	1K	7.960M	35.0	0.040	3.80
SR10066R8ML□-□□□	6.8±20%	33	1K	7.960M	32.0	0.044	3.40
SR10068R2ML□-□□□	8.2±20%	31	1K	7.960M	24.0	0.048	3.00
SR1006100ML□-□□□	10.0±20%	30	1K	2.520M	21.0	0.060	2.60
SR1006120ML□-□□□	12.0±20%	30	1K	2.520M	20.0	0.070	2.45
SR1006150ML□-□□□	15.0±20%	30	1K	2.520M	16.0	0.080	2.25
SR1006180ML□-□□□	18.0±20%	30	1K	2.520M	15.0	0.090	2.15
SR1006220ML□-□□□	22.0±20%	25	1K	2.520M	13.0	0.100	1.95
SR1006270ML□-□□□	27.0±20%	25	1K	2.520M	11.0	0.110	1.75
SR1006330KL□-□□□	33.0±10%	25	1K	2.520M	10.0	0.120	1.50
SR1006390KL□-□□□	39.0±10%	20	1K	2.520M	9.0	0.140	1.35
SR1006470KL□-□□□	47.0±10%	20	1K	2.520M	8.0	0.170	1.25
SR1006560KL□-□□□	56.0±10%	20	1K	2.520M	7.5	0.190	1.15
SR1006680KL□-□□□	68.0±10%	15	1K	2.520M	7.0	0.220	1.10
SR1006820KL□-□□□	82.0±10%	15	1K	2.520M	6.0	0.250	1.00
SR1006101KL□-□□□	100.0±10%	15	1K	0.796M	5.2	0.350	0.97
SR1006121KL□-□□□	120.0±10%	15	1K	0.796M	5.0	0.400	0.89
SR1006151KL□-□□□	150.0±10%	15	1K	0.796M	4.5	0.470	0.78
SR1006181KL□-□□□	180.0±10%	12	1K	0.796M	4.0	0.630	0.72
SR1006221KL□-□□□	220.0±10%	12	1K	0.796M	3.8	0.730	0.66
SR1006271KL□-□□□	270.0±10%	12	1K	0.796M	3.5	0.970	0.57
SR1006331KL□-□□□	330.0±10%	12	1K	0.796M	3.2	1.150	0.52
SR1006391KL□-□□□	390.0±10%	12	1K	0.796M	3.0	1.300	0.48
SR1006471KL□-□□□	470.0±10%	12	1K	0.796M	2.5	1.480	0.42
SR1006561KL□-□□□	560.0±10%	12	1K	0.796M	2.3	1.900	0.33
SR1006681KL□-□□□	680.0±10%	12	1K	0.796M	2.1	2.250	0.28
SR1006821KL□-□□□	820.0±10%	10	1K	0.796M	2.0	2.550	0.24
SR1006102KL□-□□□	1000.0±10%	29	1K	0.252M	1.9	3.100	0.23
SR1006122KL□-□□□	1200.0±10%	32	1K	0.252M	1.8	4.200	0.21
SR1006152KL□-□□□	1500.0±10%	31	1K	0.252M	1.7	5.000	0.19
SR1006182KL□-□□□	1800.0±10%	31	1K	0.252M	1.6	6.800	0.17
SR1006222KL□-□□□	2200.0±10%	31	1K	0.252M	1.5	7.600	0.16
SR1006272KL□-□□□	2700.0±10%	32	1K	0.252M	1.4	11.600	0.14
SR1006332KL□-□□□	3300.0±10%	32	1K	0.252M	1.3	13.500	0.12
SR1006392KL□-□□□	3900.0±10%	31	1K	0.252M	1.2	14.800	0.11
SR1006472KL□-□□□	4700.0±10%	32	1K	0.252M	0.8	18.000	0.10

1). □ : Packaging information ... [A] : Bulk [B]: Taping Reel

2). "-□□□":Reference code

3). IDC base on temp. rise 40°C max. & ΔL/LOA=10% max.

AR-001A



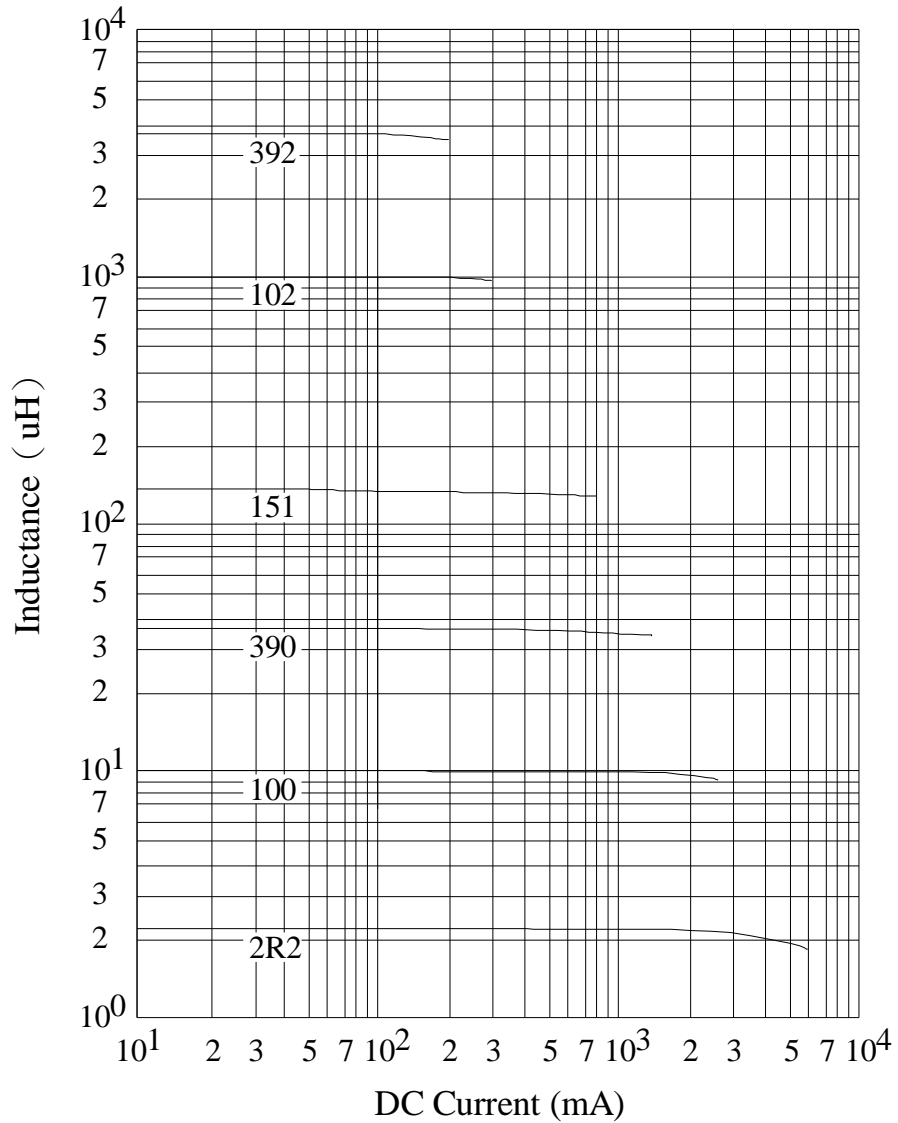
SPECIFICATION FOR APPROVAL

REF : 20090505-D

PAGE: 3

PROD. NAME	SMD POWER INDUCTOR	ABC'S DWG NO.	SR1006□□□□L□-□□□
		ABC'S ITEM NO.	

VI . INDUCTANCE VS. DC CURRENT CURVE :



AR-001A

SPECIFICATION FOR APPROVAL

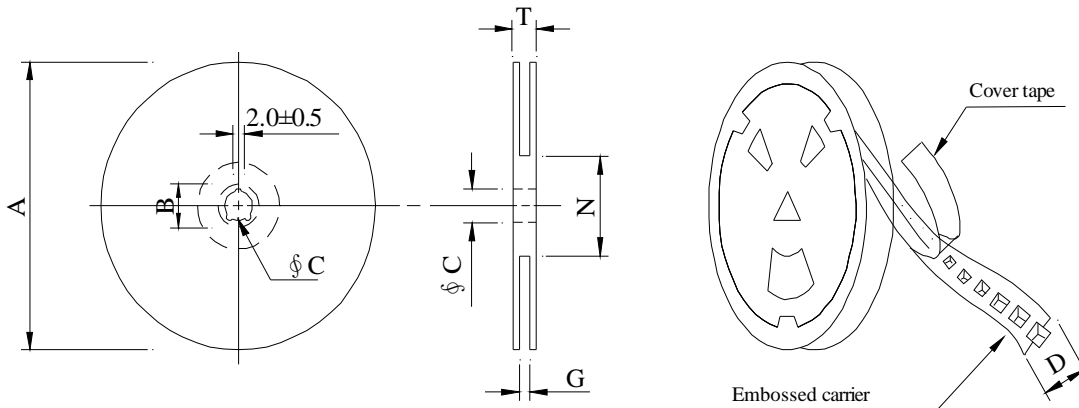
REF : 20090505-D

PAGE: 4

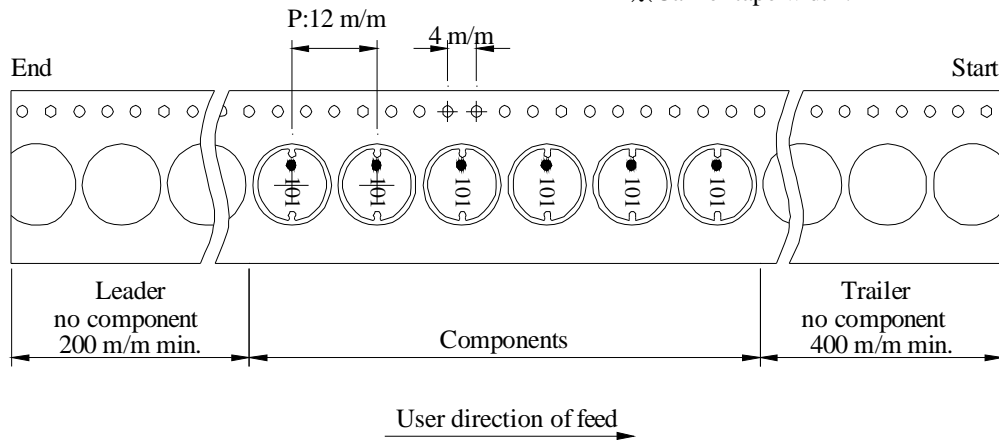
PROD. NAME	SMD POWER INDUCTOR	ABC'S DWG NO.	SR1006□□□□L□-□□□
		ABC'S ITEM NO.	

VII . PACKAGING INFORMATION :

(1) Configuration



※Carrier tape width : D



(2) Dimensions

Unit:m/m

Style	A	B	C	D	G	N	T
13 - 24	330	21±0.8	13±0.5	24	26 ⁺⁰	50 ⁻⁰	30.4

(3) Q'TY & G.W. Per package

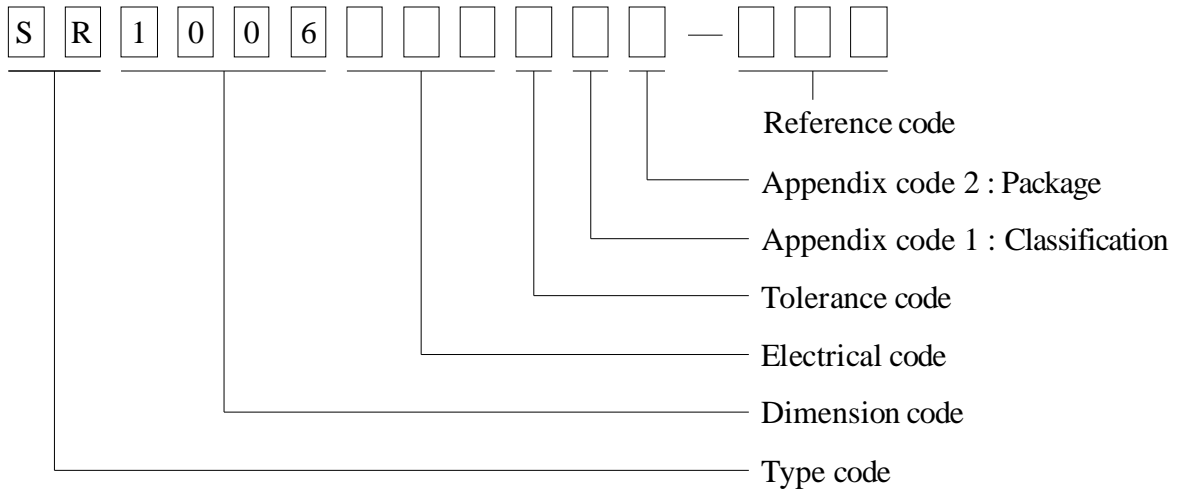
Series	Inner : Reel			Outer : Carton		
	Q'TY (pcs)	G.W. (gw)	Style	Q'TY (pcs)	G.W. (Kg)	Size (cm)
SR1006	800	1,800	13 - 24	3,200	9.5	40 x 40 x 24
SR1006	500	1,125	13 - 24	2,000	6.0	40 x 40 x 24

AR-001A

SPECIFICATION FOR APPROVAL

PROD. NAME	SMD POWER INDUCTOR	ABC'S DWG NO.	SR1006□□□□L□-□□□
		ABC'S ITEM NO.	

VII . DWGING NUMBER EXPRESSION :



Appendix code 1 : Product Classification

- L : Lead Free Standard products comply with RoHS' requirements
- 1 ~ 9 : Lead Free Special products comply with RoHS' requirements

Appendix code 2 : Package Information

Code	Inner package	Inner package Q'TY	Remark
A	T.B.D	T.B.D	
B	T / R (Reel package)	800 pcs	
C	T / R (Reel package)	800 pcs	Hot-press Type
D	T / R (Reel package)	800 pcs	UCT Type
E	T / R (Reel package)	500 pcs	

SPECIFICATION FOR APPROVAL

REF : 20090505-D

PAGE: 6

PROD. NAME	SMD POWER INDUCTOR	ABC'S DWG NO.	SR1006□□□□L□-□□□
		ABC'S ITEM NO.	

IX . RELIABILITY TEST :

Test item	Specification	Test condition						
Solderability	More than 95% of the terminal electrode shall be covered With fresh solder.	Preheat : 155°C / 4 hours. Solder : Sn96.5 / Ag3 / Cu0.5 or equivalent Solder temp. : 235±5°C Flux : Rosin Dip time : 5±0.5 seconds						
Thermal shock test (Temp. cycle)	Electrical characteristics shall not change more than ±20%	<table style="width: 100%; border: none;"> <tr> <td style="text-align: center;">Room temp. 15 minutes</td> <td style="text-align: center; vertical-align: middle;">→</td> <td style="text-align: center; border-bottom: 1px solid black;">-40 °C 30 minutes</td> </tr> <tr> <td style="text-align: center;">Room temp. 15 minutes</td> <td style="text-align: center; vertical-align: middle;">→</td> <td style="text-align: center; border-bottom: 1px solid black;">+105 °C 30 minutes</td> </tr> </table> <p>Total : 50 cycles</p>	Room temp. 15 minutes	→	-40 °C 30 minutes	Room temp. 15 minutes	→	+105 °C 30 minutes
Room temp. 15 minutes	→	-40 °C 30 minutes						
Room temp. 15 minutes	→	+105 °C 30 minutes						
Humidity Test		Temperature : 40±2°C Humidity : 90±5% Time : 1000 hours						
High temp. Resistance test		Temperature : 105±5°C Applied current : Per spec. Time : 96 hours						

AR-001A

SPECIFICATION FOR APPROVAL

REF : 20090505-D

PAGE: 8

PROD. NAME	SMD POWER INDUCTOR	ABC'S DWG NO. ABC'S ITEM NO.	SR1006□□□□L□-□□□
---------------	---------------------------	---------------------------------	------------------

OBMW2 October 06, 2005
Magnet Wire-Component

ELEKTRISOLA (MALAYSLA) SDN BHD E143312
JALAN DAMAI SATU JANDA BAIK 28750 BENTONG, PAHANG
DARUL MAKMUR MALAYSIA

Mtl Dsg	Mark Dsg	Coating Type		ANSI Typ	Temp Class
		BC	OC		
Estersol 180	E180	Polyesterimide (solderable)	—	MW-77	180
Amldester 200	A200	Polyesterimide	—	MW-74	200
Polysol-N 155	PN155	Polyurethane	Nylon	MW-80, MW-28	155, 130
Polysol 155	P155, G155	Polyurethane	—	MW-79, MW-75	155, 130
Polysol 155g	Pg155	Polyurethane	—	MW-75	130
Polysol 155p	Pp155,Gp155	Polyurethane	—	MW-79	155
Polysol 160	P160	Polyurethane	—	MW-79	155
Polysol 180	P180,G180	Polyurethane	—	MW-82, MW-79	180, 155
Polysol 170	P170 or G170	Polyurethane	—	MW-79	155
Polysol-N 180	PN180	Polyurethane	Nylon	MW-83	180
Polysol P155p	P155p	Polyurethane	—	MW-79	155

Marking : Company name, material designation or marked designation and factory identification on package ok reel

See General Information preceding These Recognitions
For use only in equipment where the acceptability of the combination is determined by Underwriters Laboratories Inc.

AR-001A

