

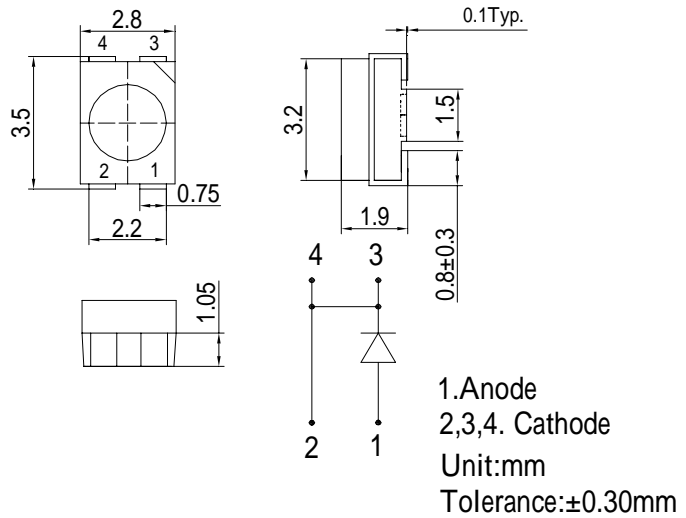
### ■Features

- High Luminous PLCC4 Power Top SMD LEDs
- 3.5x2.8x1.9mm Standard Directivity
- Long Lifetime Operation (Up to 100,000hours)
- Superior Weather-resistance
- UV Resistant Epoxy

### ■Applications

- Automotive Dashboard Lighting
- Traffic Signal Lamp
- Back Lighting
- Other Lighting

### ■Outline Dimension



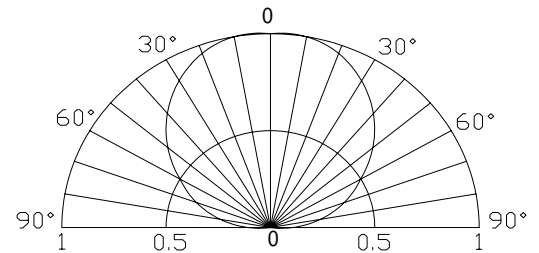
### ■Absolute Maximum Rating

(Ta=25 )

| Item                       | Symbol    | Value     | Unit |
|----------------------------|-----------|-----------|------|
| DC Forward Current         | $I_F$     | 35        | mA   |
| Pulse Forward Current*     | $I_{FP}$  | 100       | mA   |
| Reverse Voltage            | $V_R$     | 5         | V    |
| Power Dissipation          | $P_D$     | 133       | mW   |
| Operating Temperature      | $T_{opr}$ | -30 ~ +85 |      |
| Storage Temperature        | $T_{stg}$ | -40~ +100 |      |
| Lead Soldering Temperature | $T_{sol}$ | 260 /5sec | -    |

\*Pulse width Max.10ms , Duty ratio max 1/10

### ■Directivity



### Electrical -Optical Characteristics

(Ta=25 )

| Item                      | Symbol          | Condition  | Min. | Typ. | Max. | Unit    |
|---------------------------|-----------------|------------|------|------|------|---------|
| DC Forward Voltage        | $V_F$           | $I_F=30mA$ | 3.0  | 3.3  | 3.8  | V       |
| DC Reverse Current        | $I_R$           | $V_R=5V$   | -    | -    | 10   | $\mu A$ |
| Luminous Intensity*       | $I_v$           | $I_F=30mA$ | -    | 570  | -    | mcd     |
| Chromaticity Coordinates* | x               | $I_F=30mA$ | -    | 0.45 | -    |         |
|                           | y               | $I_F=30mA$ | -    | 0.17 | -    |         |
| 50% Power Angle           | $2\theta_{1/2}$ | $I_F=30mA$ | -    | 120  | -    | deg     |

\*1 Tolerance of chromaticity coordinates is ±10%

\*2 Tolerance of luminous intensity is ±15%