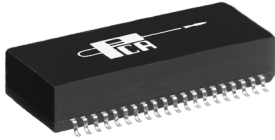


10/100Base-TX Module for Multi-port Application with Enhanced Common Mode Attenuation

EPF8022S

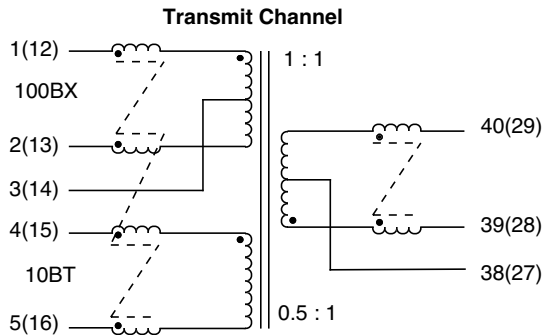


- Optimized for DP83840A/Twister combination
- Recommended for use with ICS1890 series, SSI TSC78Q2120 chips (with appropriate circuitry)
- Guaranteed to operate with 8 mA DC bias at 70°C
- Complies with or exceeds IEEE 802.3, 10/100Base-TX Standards

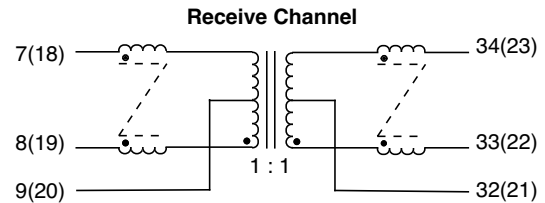
Electrical Parameters @ 25° C

OCL @ 70°C	Insertion Loss (dB Max.)			Return Loss (dB Min.)			Common Mode Rejection (dB Min.)			Crosstalk (dB Min.) Between Channels		
	100 KHz, 0.1 Vrms 8 mA DC Bias	0.1-80 MHz	100 MHz	150 MHz	1-10 MHz	60 MHz	100 MHz	30-100 MHz	200-300 MHz	500 MHz	5-10 MHz	10-100 MHz
Cable Side	Xmit/Rcv	Xmit/Rcv	Xmit/Rcv	Xmit/Rcv	Xmit/Rcv	Xmit/Rcv	Xmit/Rcv	Xmit/Rcv	Xmit/Rcv	Xmit/Rcv		
350 μ H	-1/-1	-1/-1	-3.5/-3	-18/-18	-12/-12	-10/-10	-35/-35	-20/-20	-15/-15	-40	-30	

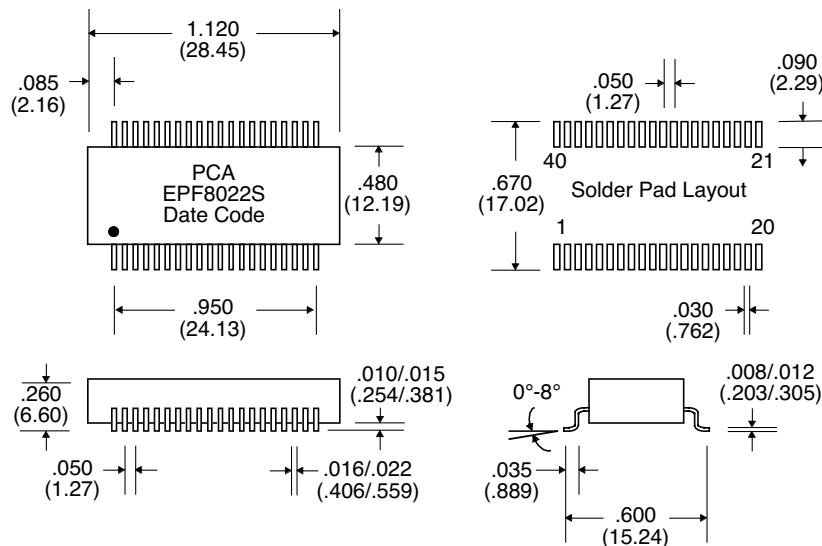
• Isolation : 1500 Vrms • Impedance : 100 Ω • Rise Time : 3.0 nS Max. •



Schematic



Package



Unless Otherwise Specified Dimensions are in Inches /mm \pm .010 / .25