

# Twisted Pair Coupling Transformers For 10Base-T

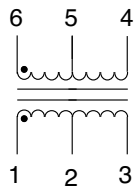
## Features

- Available in single and dual low profile packages.
- Low leakage inductance (LE) and interwinding capacitance (CW)
- Hipot - 2000 Vrms
- Meets IEEE 802.3 10Base-T

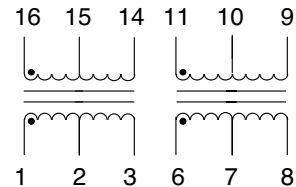
## ELECTRICAL SPECIFICATIONS

PCA Part No.		OCL $\mu$ H Min.	Turns Ratio ( $\pm 2\%$ )	ET V- $\mu$ S Ref.	Rise Time nS Max.	CW pF Max.	LE $\mu$ H Max.	DCR $\Omega$ Max.
Single	Dual							
EPA1458-1	EPA1458-2	200	1CT:1CT	3.5	4.2	20.0	0.17	0.9

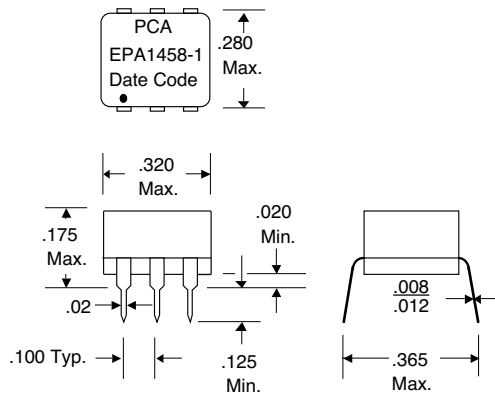
### Schematic : Single



### Schematic : Dual



### Single Package



### Dual Package

