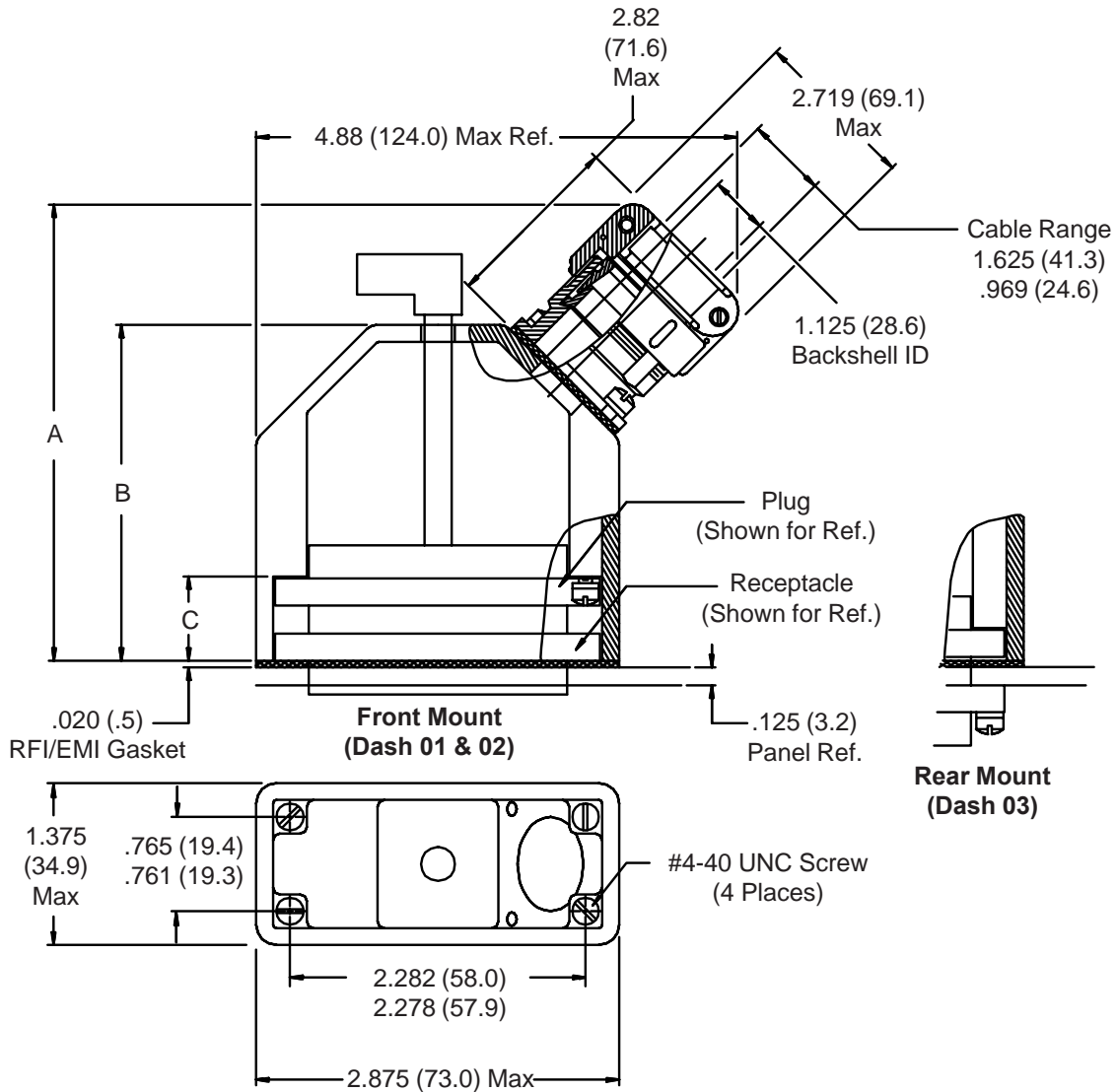


527-015 Solid Strain-Relief Backshell for Cannon DL2-96 Series Connectors

527-015 M 01

Basic Part No. _____
 Finish Symbol (Table II) _____
 Dash No. (Table I) _____



527-015
Solid Strain-Relief Backshell for
Cannon DL2-96 Series Connectors



ARINC Series
400 (Cannon)

TABLE I: BACKSHELL DIMENSIONS & CONTACT STYLE

Dash No.	Connector/Contact Style	A		B		C	
		Max	Ref.	Max		Max	
01	Front Mount/Crimp	4.72	(119.9)	2.72	(69.1)	.845	(21.5)
02	Front Mount/Wire Wrap	5.06	(128.5)	3.05	(77.5)	1.165	(29.6)
03	Rear Mount/Crimp	4.38	(111.3)	2.35	(59.7)	.470	(11.9)

TABLE II - FINISH OPTIONS

Symbol	Finish
B	Cadmium Plate, Olive Drab
J	Iridite, Gold Over Cadmium Plate over Nickel
M	Electroless Nickel
N	Cadmium Plate, Olive Drab, Over Nickel
NF	Cadmium Plate, Olive Drab, Over Electroless Nickel (500 Hour Salt Spray)
T	Cadmium Plate, Bright Dip Over Nickel (500 Hour Salt Spray)

**CONSULT FACTORY FOR
OTHER AVAILABLE FINISHES**

1. Metric dimensions (mm) are indicated in parentheses.
2. Bond RFI/EMI gasket to panel with conductive adhesive (Installed thickness not to exceed .045 (1.1)).
3. Material/Finish:
 Backshell, Adapter, Ferrules, and Clamp = Al Alloy/Table II
 Hardware = SST/Passivate
 Gasket = Metex/N.A.