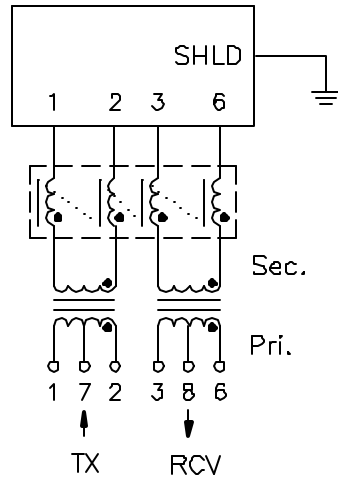


## 2. Schematic:



## 3. Electrical Specification: @25°

Isolation: 1500 Vrms (PRI to SEC)

Isolation: 500 Vrms (TX to RCV)

Turns Ratio: 1CT:1.414 ±2% (TX) 1CT:1 ±2% (RCV)

OCL: (P6-P3)=(J6-J3), 200uH Min @10KHz 10mV

(P2-P1), 100uH Min @10KHz 10mV

LL: (P6-P3), 0.3uH Max @1MHz with J6 & J3 shorted

(P2-P1), 0.3uH Max @1MHz with J2 & J1 shorted

Cw/w: (P6,P3) to (J6,J3), 20pF Max @1MHz

Cw/w: (P2,P1) to (J2,J1), 20pF Max @1MHz

DCR: (J6-J3)=(J2-J1), 1.0 Ohms Max

DCR: (P6-P8)=(P8-P3), 0.5 Ohms Max

DCR: (P2-P7)=(P7-P1), 0.3 Ohms Max

CMR CHOKE OCL: 18uH Typical @100KHz 50mV

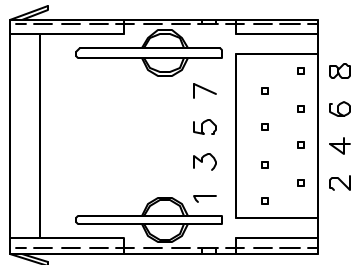
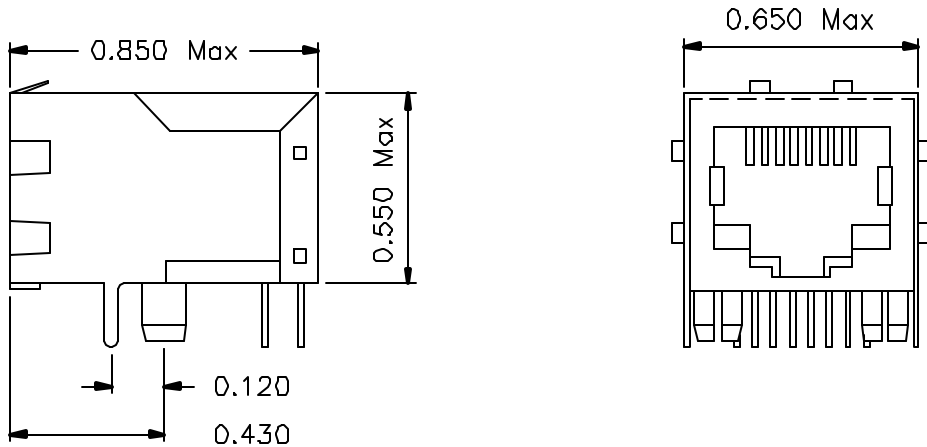
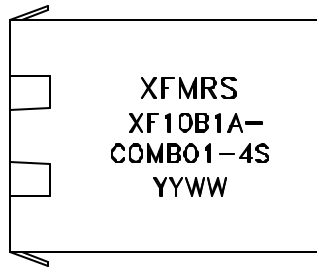
### Note:

1. Solderability: Leads shall meet MIL-STD-202, Method 208D for solderability.
2. Flammability: UL94V-0,
3. ASTM oxygen index: > 28% ,
4. Temperature rating: 155°C. UL file E151556,
5. Operating Temperature Range: -40°C to +85°C

DOC. REV: A/1

<b>XFMRs Inc.</b>	Title: SINGLE PORT COMBO		
	UNLESS OTHERWISE SPECIFIED	P/N: XF10B1A-COMBO1-4S	REV. A
TOLERANCES: .xxx ±0.010	DWN.	廖玉坤	Dec-12-00
Dimensions in Inch	CHK.	李清儿	Dec-12-00
SCALE 1.5:1 SHT 1 OF 1	APP.	Joe Huff	Dec-12-00

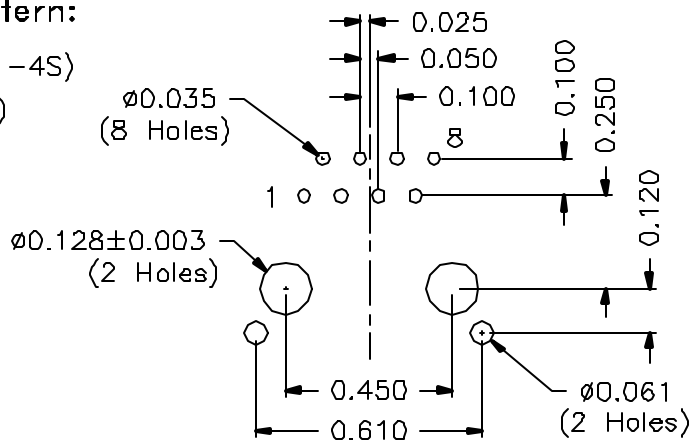
**Mechanical Dimensions:**



(BOTTOM VIEW)

**Mounting Pattern:**

(FOR COMB01-4S)  
(COMP SIDE)



**XFMRS Inc.**

Title: Mechanical Dimensions  
For COMB01-4S Series

UNLESS OTHERWISE SPECIFIED  
TOLERANCES:  
.xxx ±0.010  
Dimensions in Inch

P/N: XF10B1A-COMB01-4S

REV A

DWN.

廖玉坤

Dec-12-00

CHK.

李清儿

Dec-12-00

APP.

Joe Huff

Dec-12-00

DOC. REV: A/1

SHEET 2 OF 2