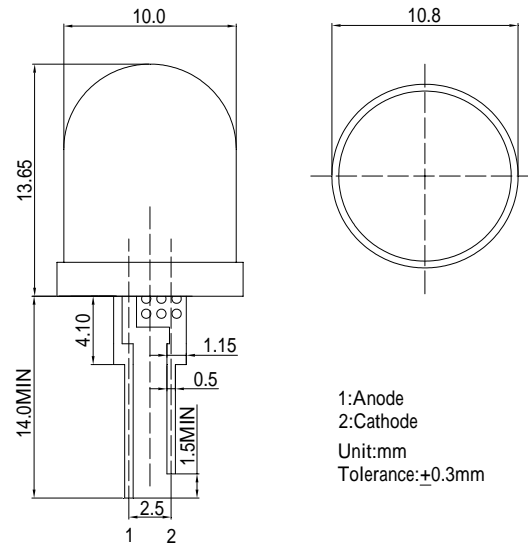


■Features

- Highest luminous flux
- Super energy efficiency
- Long Lifetime Operation
- Low Thermal resistance
- Water Clear Type

■Applications

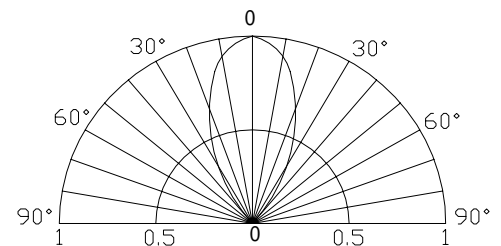
- Read lights (car, bus, aircraft)
- Bollards / Security / Garden
- Small Area Illuminations
- In door / Out door Commercial lights
- Automotive Ext

■Outline Dimension

■Absolute Maximum Rating

(Ta=25 °C)

| Item | Symbol | Value | Unit |
|----------------------------|------------------|-----------|------|
| DC Forward Current | I _F | 120 | mA |
| Pulse Forward Current* | I _{FP} | 200 | mA |
| Reverse Voltage | V _R | 5 | V |
| Power Dissipation | P _D | 480 | mW |
| Operating Temperature | T _{opr} | -30 ~ +85 | |
| Storage Temperature | T _{stg} | -40~ +100 | |
| Lead Soldering Temperature | T _{sol} | 260 /5sec | - |

*Pulse width Max.10ms Duty ratio max 1/10

■Directivity

■Electrical -Optical Characteristics

(Ta=25 °C)

| Item | Symbol | Condition | Min. | Typ. | Max. | Unit |
|---------------------------|-------------------|-----------------------|------|------|------|------|
| DC Forward Voltage | V _F | I _F =100mA | 3.0 | 3.3 | 4.0 | V |
| DC Reverse Current | I _R | V _R =5V | - | - | 10 | μA |
| Luminous Intensity* | I _v | I _F =100mA | - | 4000 | - | mcd |
| Chromaticity Coordinates* | x | I _F =100mA | - | 0.45 | - | |
| | y | I _F =100mA | - | 0.17 | - | |
| 50% Power Angle | 2θ _{1/2} | I _F =100mA | - | 50 | - | deg |

*1 Tolerance of chromaticity coordinates is ±10%

*2 Tolerance of luminous intensity is ±15%