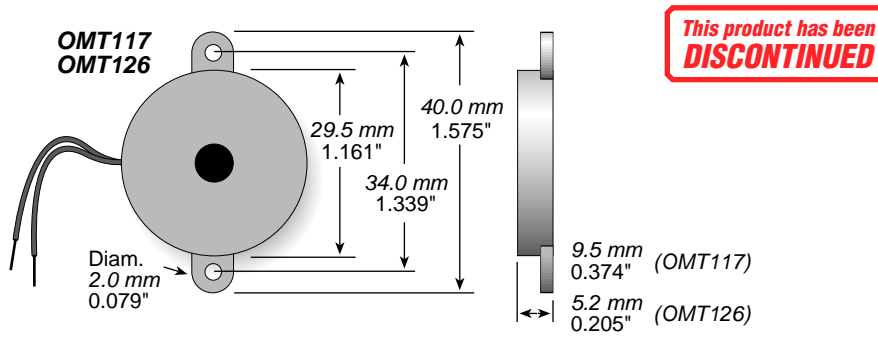


Piezo Ceramic Audio Transducers

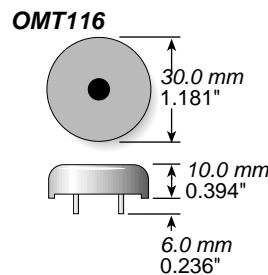
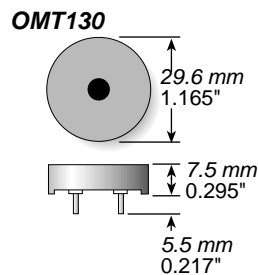
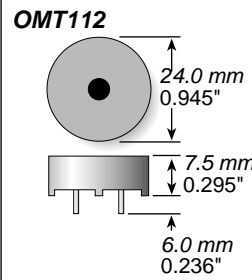
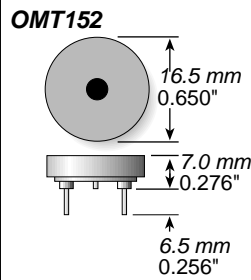
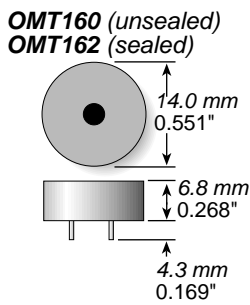
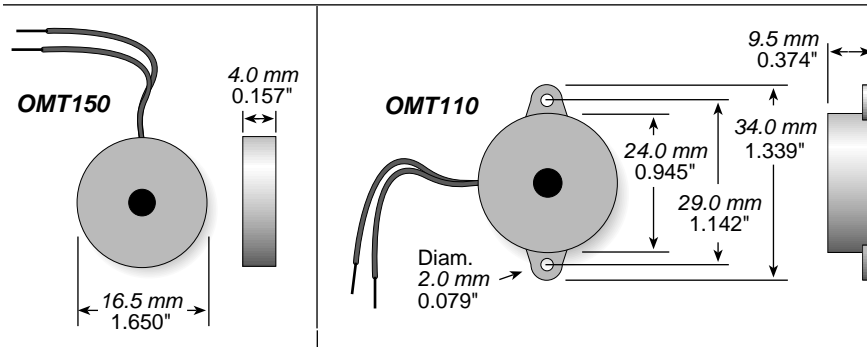
External-drive Type

FEATURES

- Small size and lightweight
- PC mounting or flange mounting with lead wires
- Low power consumption
- High efficiency
- OMT162 wave solderable and washable
- Operating temperature -20°C~60°C; storage temperature -30°C~70°C (OMT160 & 162: -30°C~70°C operating; -30°C~80°C storage)



This product has been DISCONTINUED



Model No.	Oscillating frequency (Hz ±500)	Operating voltage (Vp-p max.)	Sound pressure @10cm* (dB min.)	Current consumption (mA max.)	Capacitance (±30% PF)	Tone	Connection	Weight (g)
✓ OMT110	4100	30	90 @ 4.1 kHz	10	25,000	Cont. & Pulse	2 Lead	2.2
✓ OMT112	4000	30	92 @ 4.0 kHz	11	25,000	Cont. & Pulse	2 Pin	2.5
✓ OMT116	2000	30	96 @ 2.0 kHz	8	28,000	Cont. & Pulse	2 Pin	5.6
✓ OMT117	2500	30	97 @ 2.5 kHz	1.5	25,000	Cont. & Pulse	2 Lead	5.0
✓ OMT126	2800	30	92 @ 2.8 kHz	1	18,000	Cont. & Pulse	2 Lead	4.0
✓ OMT130	2800	30	95 @ 2.8 kHz	10	18,000	Cont. & Pulse	2 Pin	5.0
✓ OMT150	5000	15	87 @ 5.0 kHz	11	21,000	Cont. & Pulse	2 Lead	1.0
✓ OMT152	5000	15	87 @ 5.0 kHz	11	21,000	Cont. & Pulse	2 Pin	1.0
✓ OMT160	4000	20	76 @ 4.0 kHz	10	13,500	Cont. & Pulse	2 Pin	2.0
✓ OMT162	4000	20	76 @ 4.0 kHz	1	13,500	Cont. & Pulse	2 Pin	2.0

⊕ = Most popular stock values
 ✓ = Stock values
 ✦ = Non-stock values subject to minimum handling charge per item

* 10VP-P square wave