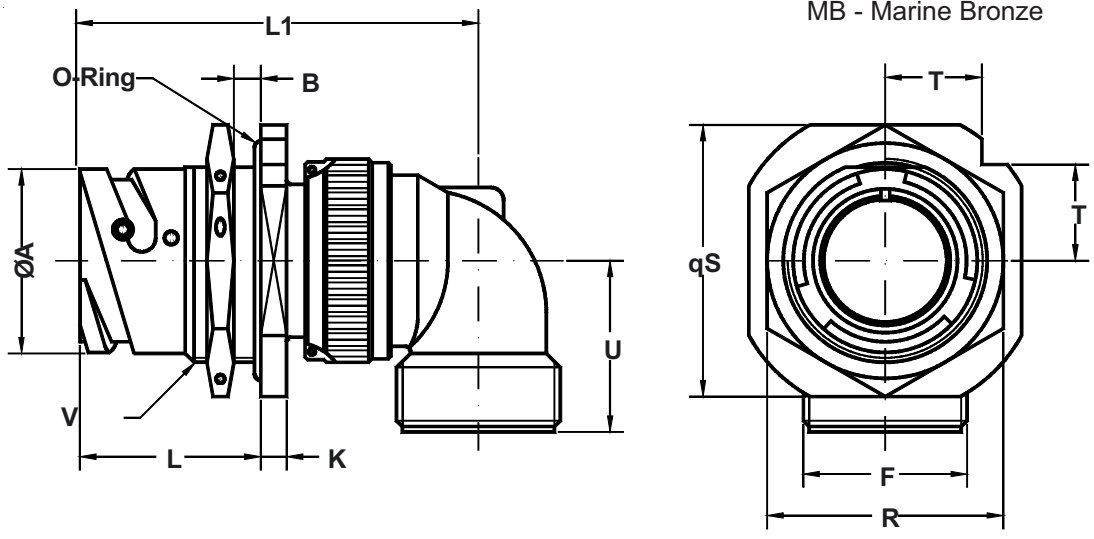


**ITS 31078 (A) and ITS 31078 (R)
ITS 41078 (A) and ITS 41078 (R)
Rear Panel Mount Jam Nut Receptacle
with 90° Backshell for the Attachment of Additional Accessories**

ITS 31 078 A FK 20-27 P Y XXX

- | | |
|-----------------------------------------------------------------------------------------------------------------------------------------------------------------------------------------------------------------------------------------------------------------------------------------------|-----------------------------------------------------------------------------------------------------------------------------------------------------------------------------------------------------------------------------------------------------------------------------------------------------------------------------------------------|
| <p>Bayonet Coupling</p> <p>Contact Type
31 - Solder
41 - Crimp</p> <p>078 - Rear Wall Mount Jam Nut Receptacle with 90° Backshell</p> <p>Connector/Backshell Class
A - Non-Environmental with 90° Backshell
R - Environmental with 90° Backshell and Wire Sealing Grommet</p> | <p>Mod Code Option (See Table II)</p> <p>Alternate Insert Rotation (W, X, Y, Z)
Omit for Normal (See Intro 20-21)</p> <p>Contact Gender
P - Pin
S - Socket</p> <p>Shell Size and Insert Arrangement
(See Intro 6-25)</p> <p>Material Option (Omit for Aluminum)
FK - Stainless Steel Passivate
MB - Marine Bronze</p> |
|-----------------------------------------------------------------------------------------------------------------------------------------------------------------------------------------------------------------------------------------------------------------------------------------------|-----------------------------------------------------------------------------------------------------------------------------------------------------------------------------------------------------------------------------------------------------------------------------------------------------------------------------------------------|

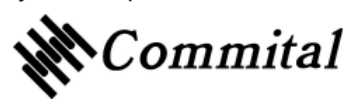


Order Cable Clamps and Sleeves Separately or Use Mod Codes (Table II) to Add Clamp to This Assembly.



Application Notes:

1. Rear panel mount jam nut receptacle with 90° backshell.
2. Connector/Backshell Class "A" (non-environmental); Connector/Backshell Class "R" supplied with wire sealing grommet.
3. Standard materials configuration consists of aluminum alloy with cadmium olive drab finish.
4. Standard contact material consists of copper alloy with silver plating (Gold plating available, see mod codes).
5. A broad range of additional connector accessories are available. Contact the factory for complete information.
6. Standard insert material is synthetic rubber.
Add "FR" prefix to front of part number to specify fire resistant inserts.



**ITS 31078 (A) and ITS 31078 (R)
ITS 41078 (A) and ITS 41078 (R)
Rear Panel Mount Jam Nut Receptacle
with 90° Backshell for the Attachment of Additional Accessories**



TABLE I: DIMENSIONS

Shell Size	ØA +0 -0.1	ØB		F Thread	K ±0.2	L ±0.1	L1 Max.	R Key	S +0.2	T	U ±0.2	V Thread
		Min.	Max.									
10 SL	18.2	2.4	5.2	0.6250 - 24UNEF	4.0	24.5	50	27	31.8	11.2	25.0	0.8750 - 20UNEF
14 S	24.5	2.4	7.5	0.7500 - 20UNEF	4.8	26.8	55	33	41.3	14.6	26.5	1.1250 - 18UNEF
16 S	27.2	2.4	7.5	0.8750 - 20UNEF	4.8	26.8	58	38	44.4	15.7	27.0	1.2500 - 18UNEF
16	27.2	2.4	7.5	0.8750 - 20UNEF	4.8	32.2	68	38	44.4	15.7	27.0	1.2500 - 18UNEF
18	30.7	2.4	9.0	1.0000 - 20UNEF	4.8	33.7	70	40	47.6	16.8	30.0	1.3750 - 18 UNEF
20	34.0	2.4	9.0	1.1875 - 18UNEF	4.8	33.7	75	44	50.8	18.0	32.0	1.5000 - 18UNEF
22	37.3	2.4	9.1	1.1875 - 18UNEF	4.8	33.7	75	46	54.2	20.2	32.0	1.6250 - 18UNEF
24	40.9	2.4	9.1	1.4375 - 18UNEF	4.8	33.7	79	51	57.2	20.2	37.0	1.7500 - 18UNS
28	46.7	2.4	8.5	1.4375 - 18UNEF	5.6	35.2	81	55	63.5	22.5	38.0	2.0000 - 18UNS
32	53.4	2.4	6.5	1.7500 - 18UNS	5.6	35.2	85	62	69.8	24.7	45.5	2.2500 - 16UN
36	59.6	2.4	8.3	2.0000 - 18UNS	5.6	35.2	88	71	76.2	26.9	47.2	2.5000 - 16UN
40	65.5	2.4	8.3	2.2500 - 16UN	5.6	35.2	91	75	83.5	29.6	52.0	2.7500 - 16UN

TABLE II: MODIFICATION CODES

CONTACT OPTIONS		ACCESSORY OPTIONS	
Sym	Description		
B0	Connector Less Contacts	N0	Connector less backshell
B1	Connector with Gold Plated Contacts	N1	Connector with IT 3057 A cable clamp
Omit for Standard Version (Silver Plated)		N2	Connector with long backshell
FINISH OPTIONS		N5	Connector with IT 3057 C cable clamp
Sym	Description	N12	Connector with IT 3057 A cable clamp and IT 3420 neoprene sleeve
F2	Bright Nickel Plating	Omit for standard version	
F6	Black Electrodeposited Paint		
F7	Black Zn-Co Plating		
F8	Olive Drab Zn-Co Plating		
Omit for Standard Version (Cad/Olive Drab)			

