

10/100Base-TX Module for Quad-Port Applications

EPF8034S & EPF8034S-RC



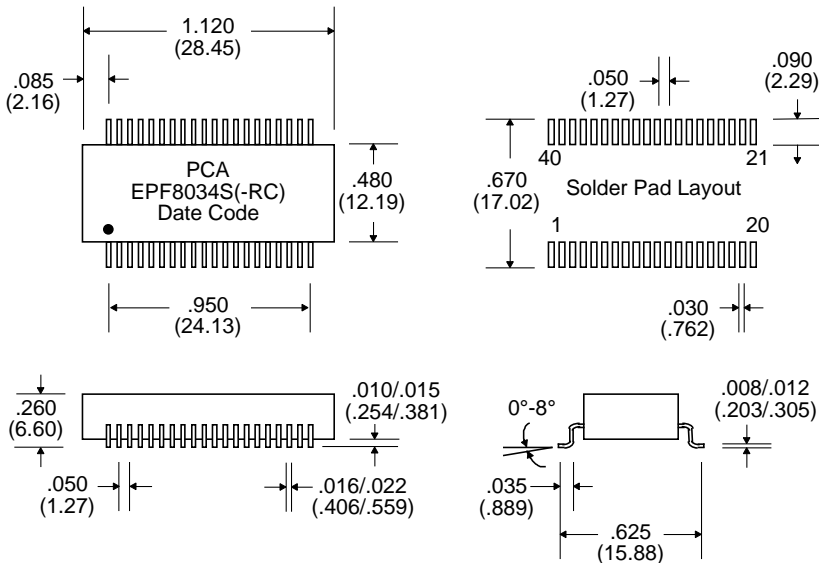
- Optimized for DP83840A/Twister Combination
- Recommended for use with ICS1890 series, SSI TSC78Q2120 chips
- Complies with or exceeds IEEE 802.3, 10/100Base-TX Standards
- Guaranteed to operate with 8 mA DC Bias at 70°C
- Add "-RC" after part number for RoHS Compliant

Electrical Parameters @ 25° C

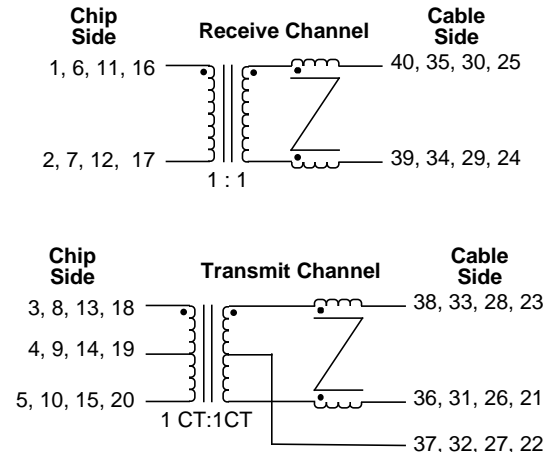
OCL (@ 70°C)	Insertion Loss (dB Max.)		Return Loss (dB Min.)			Common Mode Rejection (dB Min.)				Crosstalk (dB Min.)
	100 KHz, 0.1 Vrms 8 mA DC Bias	0.1-100 MHz	150 MHz	1-30 MHz	60 MHz	100 MHz	30-100 MHz	200 MHz	300 MHz	
Cable Side	Xmit/Rcv	Xmit/Rcv	Xmit/Rcv	Xmit/Rcv	Xmit/Rcv	Xmit/Rcv	Xmit/Rcv	Xmit/Rcv	Xmit/Rcv	Xmit/Rcv
350 μH	-1/-1	-3/-3	-18/-18	-12/-12	-10/-10	-30/-25	-25/-20	-20/-10	-15/-	-30

• Isolation : 1500 Vrms • Impedance : 100 • Rise Time : 3.0 nS Max. •

Package



Schematic



Notes :	EPF8034S	EPF8034S-RC
1. Lead Finish	SnPb	Hot Tin Dip (Sn) †
2. Peak Temperature Rating	225°C	245°C
3. Moisture Sensitive Levels	MSL = 3 (168 Hours, 30°C/60%RH)	MSL = 4 (72 Hours, 30°C/60%RH)
4. Weight	4.8 grams	5.15 grams
5. Packaging Information	(Tube) 19 pieces/tube (Tape & Reel) 350 pieces/13" reel	19 pieces/tube 350 pieces/13" reel

† Lead Material : Ni Barrier over Cu

Unless Otherwise Specified Dimensions are in Inches /mm ± .010 / .25