

## EPD5002GE

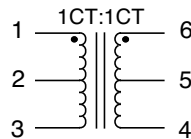
- Designed for Broadcom BCM6315 Transceiver Chip •
  - Robust Construction •
  - Surface Mount Package •
- Operating Temperature range -40°C to +85°C •
  - 1500 Vrms Isolation •

### Electrical Parameters @ 25° C

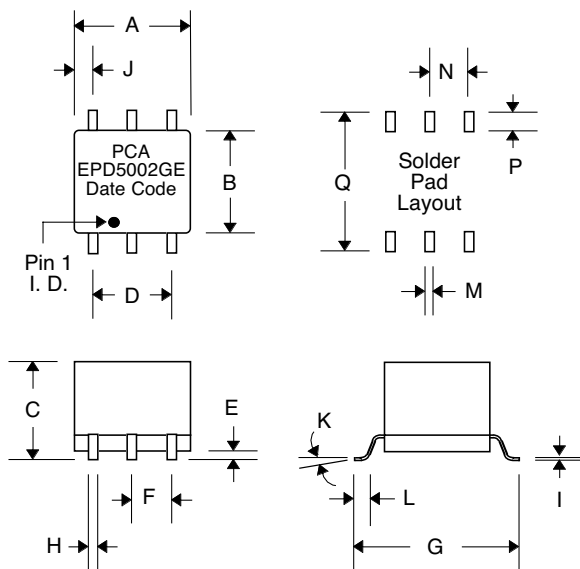
Inductance ( $\mu$ H Min.)	Insertion Loss (dB Max.)		Return Loss (dB Min.)		CM Rejection (dB Typ.)			Longitudinal Balance (Typ.)		
	200 KHz- 400 KHz	400 KHz- 30 MHz	300 KHz- 20 MHz	20 MHz- 30 MHz	10 MHz	30 MHz	100 MHz	200 KHz	11 MHz	100 MHz
190	-0.75	-0.50	-20	-18	-35	-30	-10	-50	-50	-30

• Line Impedance : 100  $\Omega$  •

### Schematic



### Package



### Dimensions

Dim.	(Inches)			(Millimeters)		
	Min.	Max.	Nom.	Min.	Max.	Nom.
A	.280	.300	.290	7.11	7.62	7.37
B	.255	.275	.265	6.48	6.99	6.73
C	.230	.250	.240	5.84	6.35	6.10
D	---	---	.200	---	---	5.08
E	.005	.015	.013	.127	.381	.330
F	---	---	.100	---	---	2.54
G	.380	.400	.390	9.65	10.16	9.91
H	.016	.022	.018	.406	.559	.457
I	.008	.012	.010	.203	.305	.254
J	---	---	.045	---	---	1.14
K	0°	8°	4°	0°	8°	4°
L	.025	.045	.035	.635	1.14	.889
M	---	---	.040	---	---	1.02
N	---	---	.100	---	---	2.54
P	---	---	.075	---	---	1.91
Q	---	---	.408	---	---	10.36