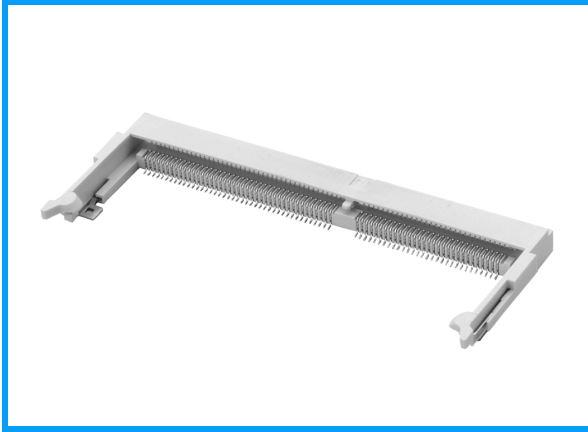


SO-DIMM Socket for Memory Expansion

Comforming to JEDEC Standard DMM3 Series, 144 Contacts, 0.8mm Pitch



- Notebook computers, palmtop computers and handheld devices

FEATURE

- Applicable to 144-position SO-DIMM module board per JEDEC standard
- Easy mating and unmating with unique locking and ejecting system
- Surface mount design
- Voltage keying design for 3.3V modules

G

DMM3(144)

SPECIFICATION

Voltage rating	100V AC (rms)
Current rating	0.5A/contact
Dielectric withstanding voltage	250V AC (rms) for 1 minute
Insulation resistance	250M Ω min. at 250V DC
Contact resistance	40m Ω max.

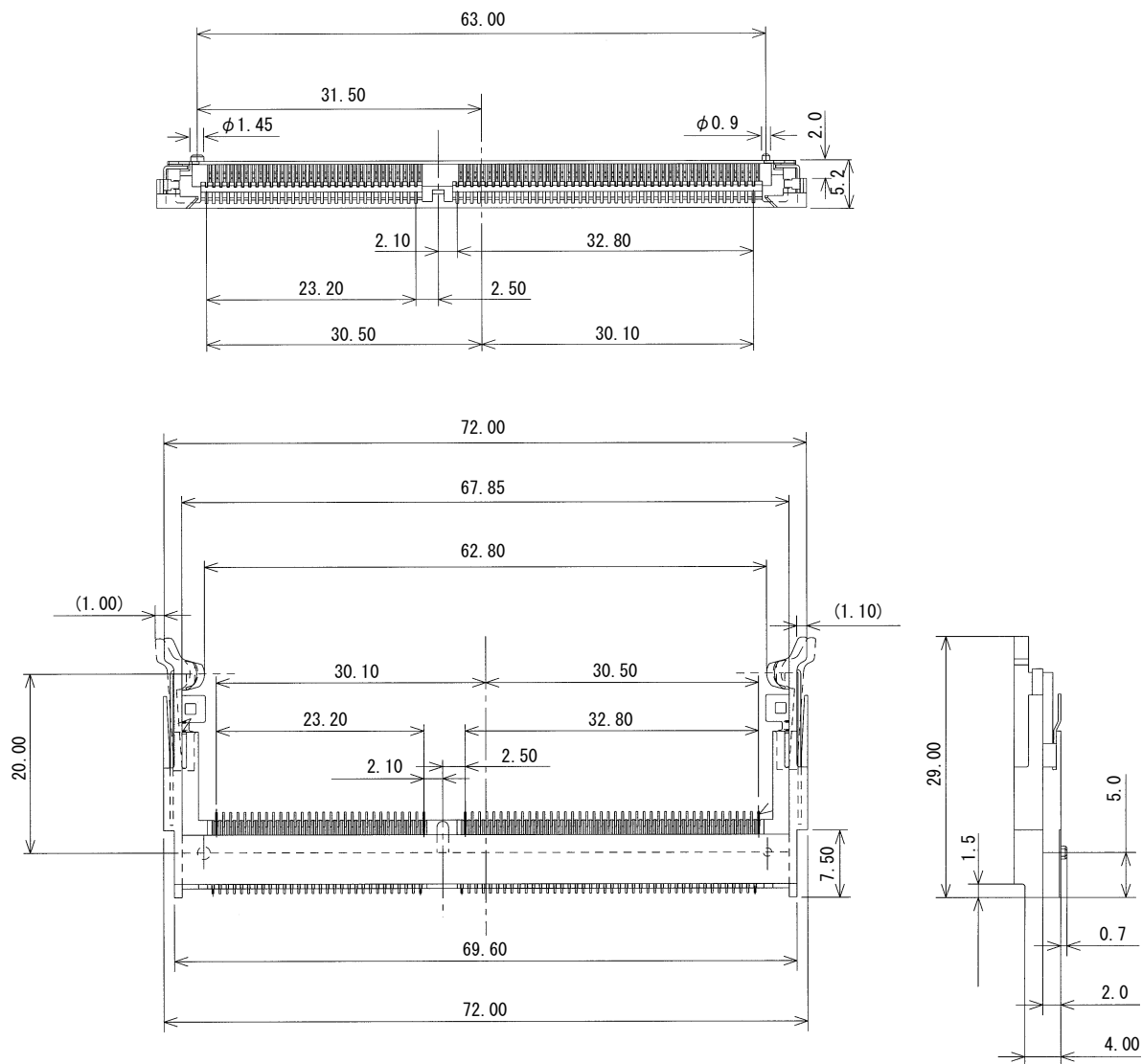
MATERIAL/FINISH

Contact/Finish	Copper alloy/Gold over Nickel plating (mating), Tin-Lead (tail)
Insulator	LCP resin (UL94V-O)/Ivory
Locking Tab	Copper alloy/Solder plating

DMM3 Series (144 Contacts)

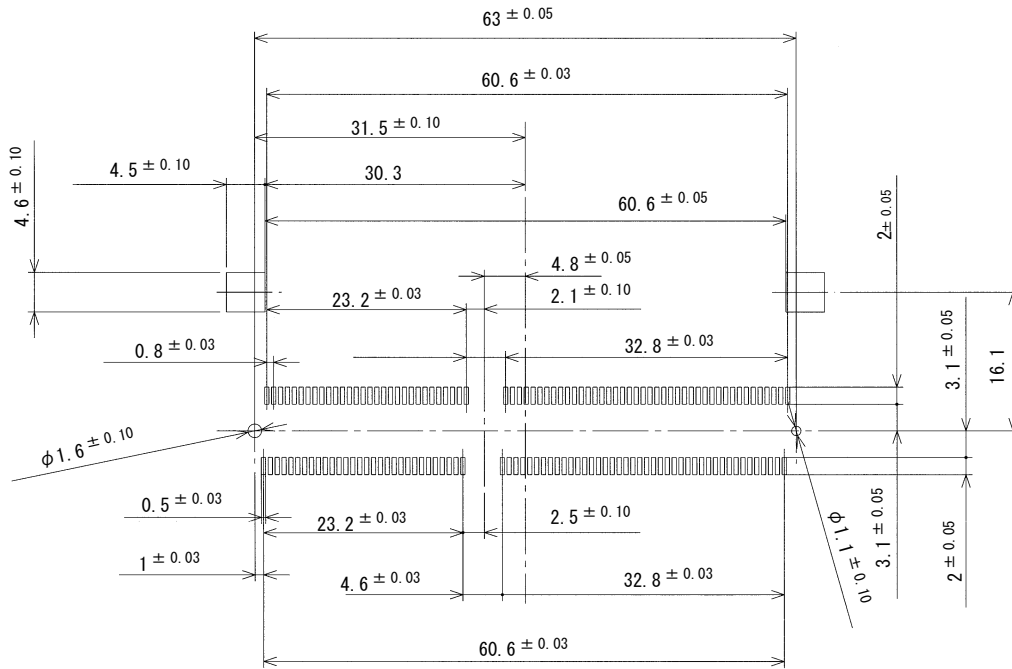
Unit : mm

DMM3-RS144A2B-13



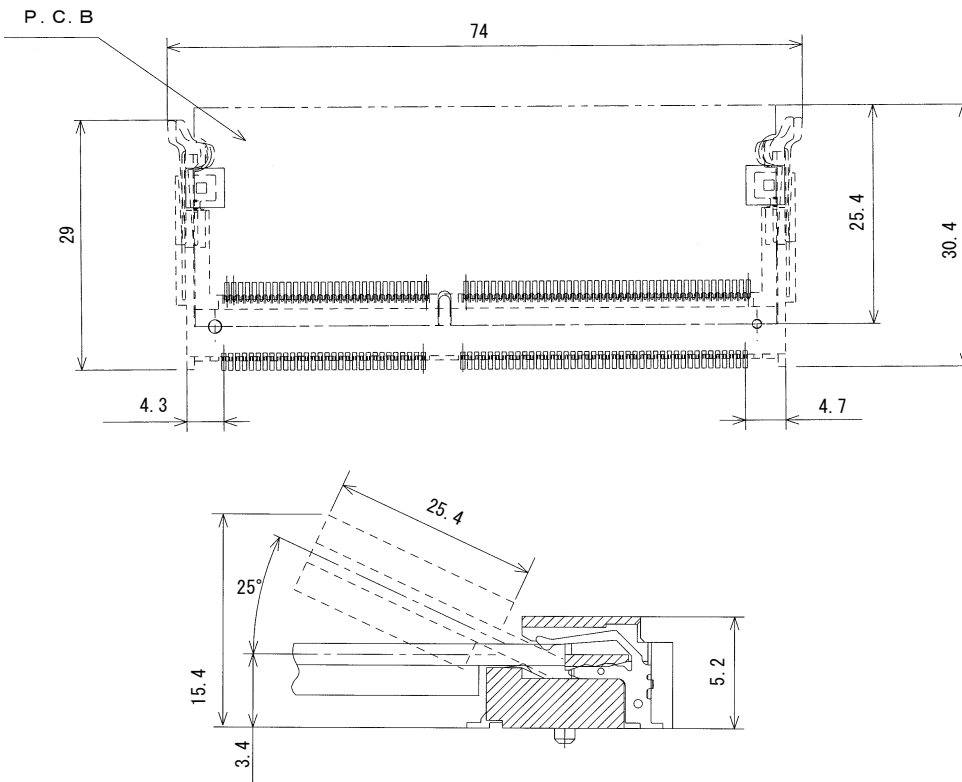
G
DMM3(144)

PCB Mounting Dimensions



G
DMM3(144)

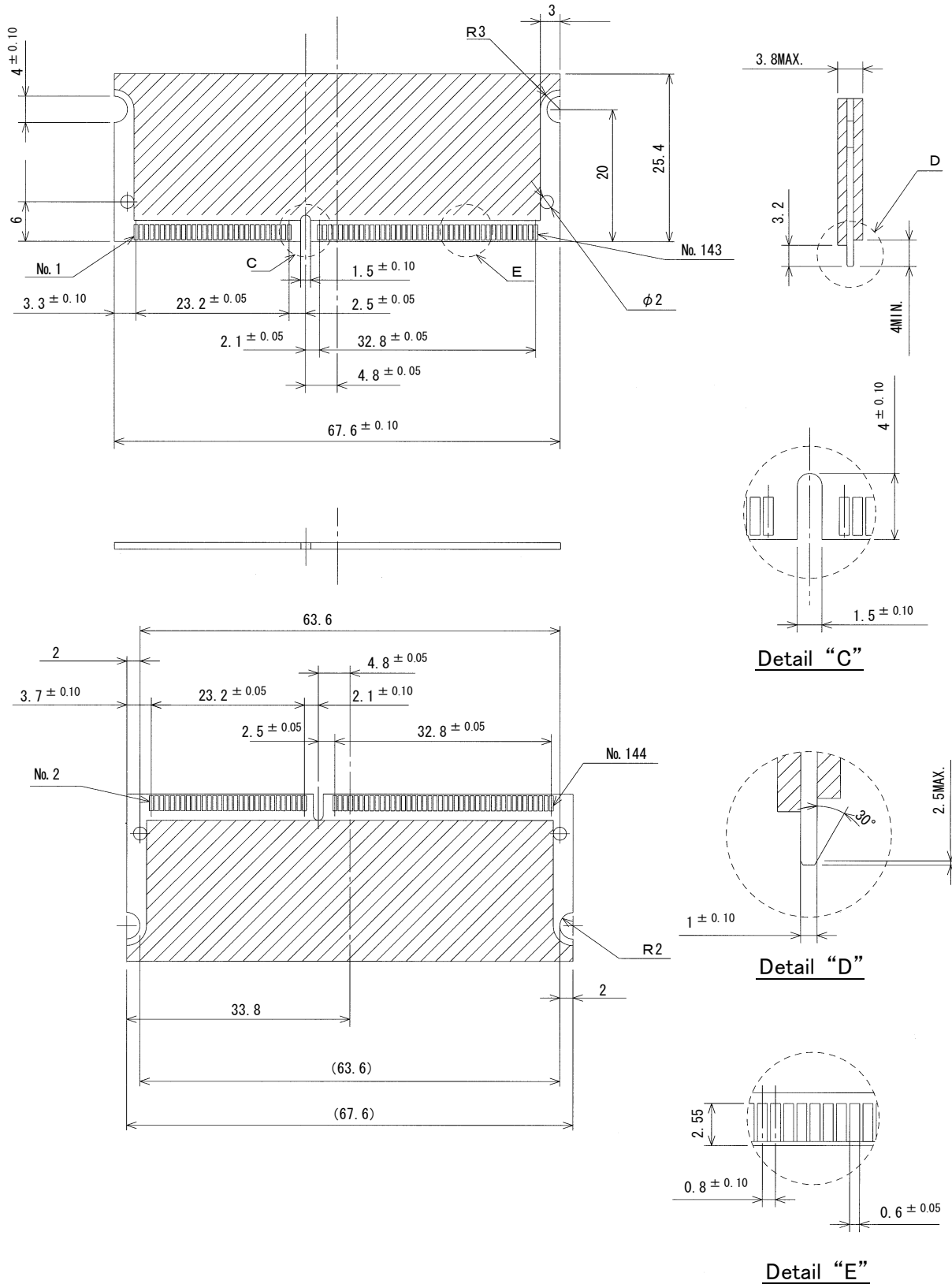
PCB Connector Mounting Space (Reference)



DMM3 Series (144 Contacts)

Unit : mm

Module Dimensions



G
DMM3(144)