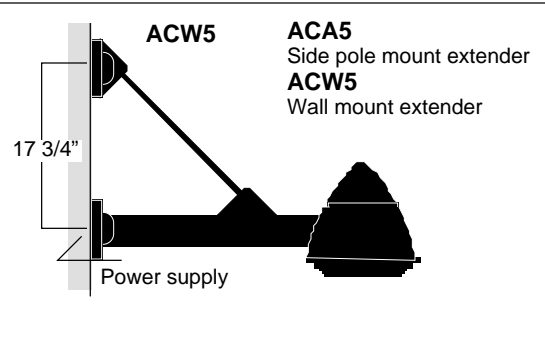
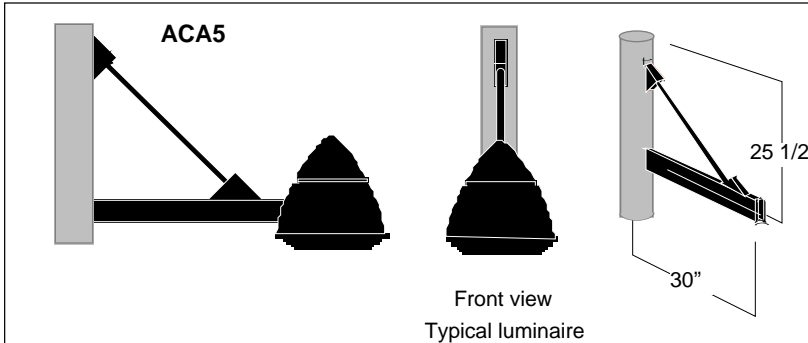
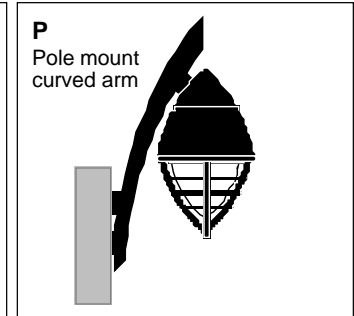
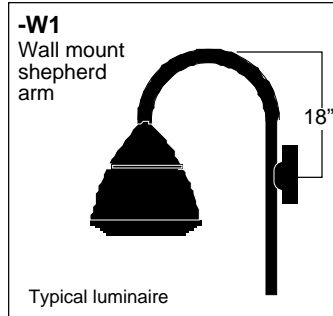
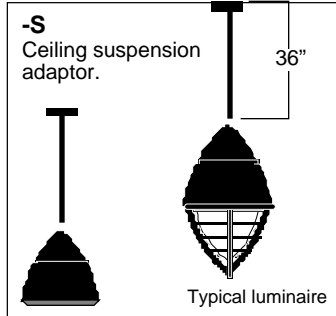
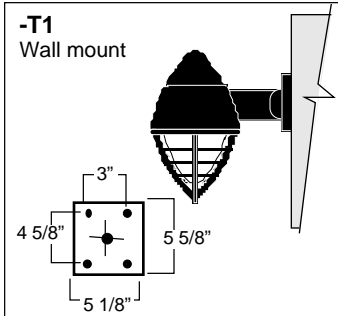


General note:
SPT20-SPT25 and SPT50 are designed as luminaire modules adaptable to various installation requirements as a pole ceiling or wall mount. Please specify the selected type of attachment with model number. (Refer to page 116 for additional pole mounting information.)



ACA5 -EPA: 0.8
1" X 3" extruded aluminum side pole arm mount. 4" O.D X 30" lg. post top adaptor with a cast aluminum tenon to fit with a 3 3/4" I.D. pole. 1/2" dia. stainless steel rod support. Extruded arm and all other parts are painted same color as Luminaire.

ACW5- Wall mount version with independent cast aluminum mounting plates.

APC1 -EPA: 0.12
1" X 3" extruded aluminum side pole mounting adaptor.

APA1 - EPA: 0.2
1 5/8" dia. aluminum shepherd style arm, with two extruded 1"X 3" aluminum side pole adaptor.

APS1 - EPA: 0.15
1 5/8" dia. aluminum shepherd style arm, with two extruded 1"X 3" aluminum pole adaptor.

-S
15° swivel ceiling mount with 5/8" dia.X36"lg aluminum stem. luminaire top adaptor allowing to cut stem to length on site.
(Mounts over a standard 4" octagonal box with 3 1/2" C/C holes)

-T1 -1" x 3" extruded aluminum wall mounting straight adaptor with cast aluminum cover and galvanized steel mounting plate.

-W1 -1 5/8" Dia. shepherd aluminum arm wall mount, with a cast aluminum wall cover and galvanized steel mounting plate.

-P - Cast aluminum elliptical curved arm. Refer to corresponding luminaire specification sheet SPT20 & SPT25 for details.

BI-LEVEL MOUNTING

Option: **BL**
Twin mount off set luminaire installation.

(P) Position: 180°

(P) Position: 90°

Step1:
Select distance between luminaires as shown("X")
1) BL ("X")

Step2:
Indicate position of luminaires at 90° or 180°
2) (P)-Position

EX: SPT20-BL36-90

Important: consider Additional pole length required for BL set mounting.

Spartacus SPT20 and SPT25 series may be installed in several positions along the pole. Please provide information with desired position as shown above.

luminaires may be altered for design improvements or discontinued without prior notice.