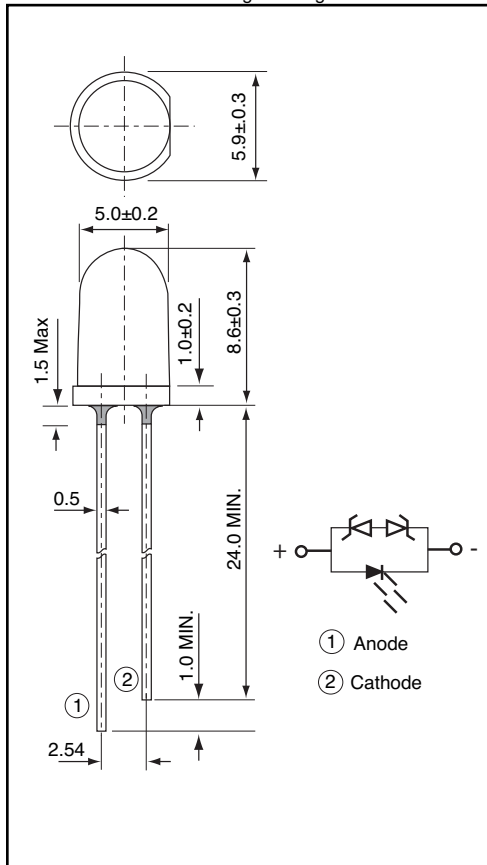




Weight: 0.31g Unit: mm



# AND420HWA

## InGaN High Brightness White Light Emission

- 5 mm (T1-3/4) Package
- Fluorescence Type
- Low drive current: 1 to 20 mA DC
- Excellent On-Off contrast ratio
- Fast response time, capable of pulse operation
- High power intensity – suitable for LCD Backlights, OA Equipment and Automomtive Equipment
- High reliability
- **Pb Free - RoHS Compliant**

### Maximum Ratings ( $T_a = 25^\circ\text{C}$ )

Characteristics	Symbol	Rating	Unit
Forward Current	IF	30	mA
Reverse Voltage	VR	5	V
Peak Forward Current (Duty Cycle 1/10@ 1KHz)	IFP	100	mA
Power Dissipation	P <sub>d</sub>	100	mW
Operating Temperature	T <sub>op</sub>	-40 to +85	°C
Storage Temperature	T <sub>stg</sub>	-40 to +100	°C
Soldering Temperature (5sec)	T <sub>sol</sub>	260 +/- 5	°C
Electrostatic Discharge	ESD	4,000	V
Zener Reverse Current	I <sub>z</sub>	100	mA

### Electro-Optical Characteristics ( $T_a = 25^\circ\text{C}$ )

Characteristics	Symbol	Test Condition	Minimum	Typical	Maximum	Unit
Forward Voltage	VF	IF = 20 mA	–	3.5	4.3	V
Reverse Current	IR	VR = 5 V	–	–	50	μA
Luminous Intensity	Iv	IF = 20 mA	2,500	3,500	–	mcd
Full Viewing Angle	2 θ 1/2	IF = 20 mA	–	15	–	degrees
Chromaticity Coordinates	X	–	–	0.29	–	
	Y	–	–	0.30	–	
Zener Reverse Voltage	V <sub>z</sub>	I <sub>z</sub> = 5 mA	5.8	–	–	V

### Precaution

The products are sensitive to static electricity and care must be taken when handling products.

Product specifications contained herein may be changed without prior notice.  
It is therefore advisable to contact Purdy Electronics before proceeding with the design of equipment incorporating this product.

