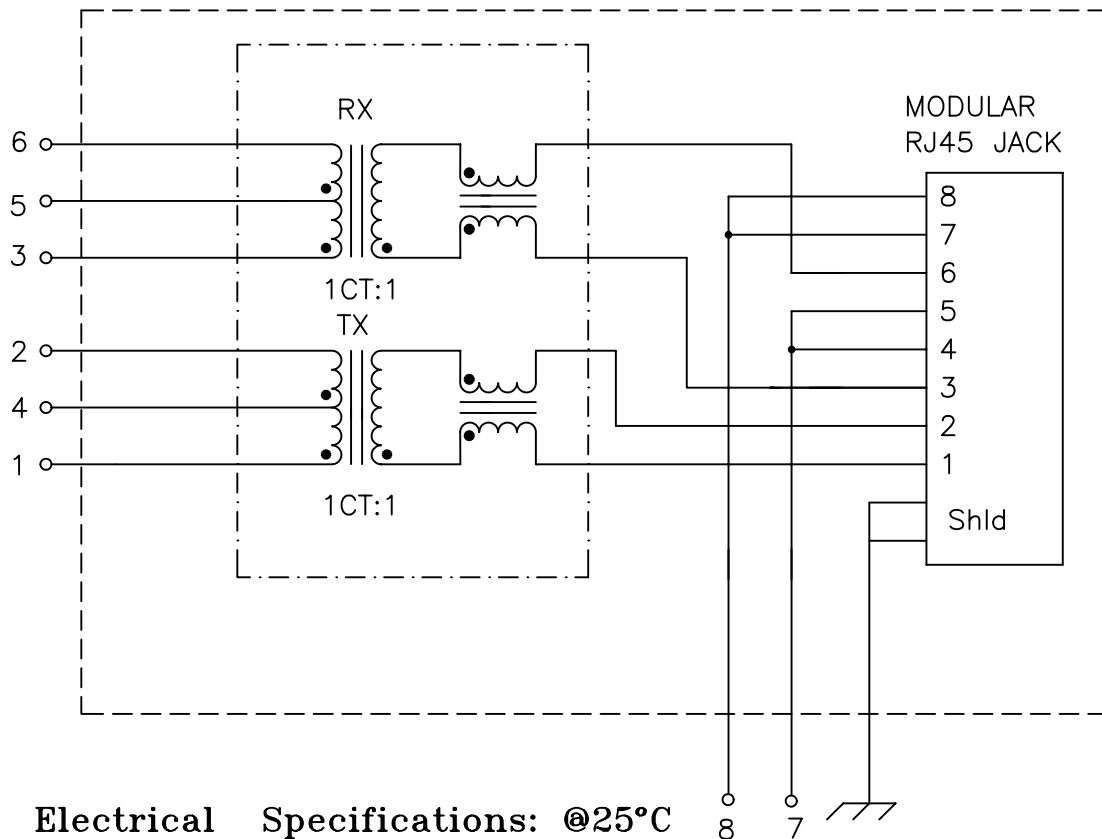


Schematic:



Electrical Specifications: @25°C

UTP Impedance: 100 OHMS

Turns Ratio: TX : 1CT:1 (±2%) RX : 1CT:1 (±2%)

Isolation Voltage: 1500 VAC (Input to Output)

UTP Side OCL: 350uH Minimum @100KHz, 100mV 8mADC

Insertion Loss (0.1MHz-100MHz): -1.0dB Maximum

Return Loss: 1MHz-30MHz 40MHz 50MHz 60MHz-80MHz
 -18dB Min -16dB Min -14dB Min -12dB Min

CMRR: 30MHz 60MHz 100MHz
 -35dB Min -30dB Min -25dB Min

Crosstalk: 30MHz 60MHz 100MHz
 -50dB Min -40dB Min -35dB Min

Notes:

1. Solderability: Leads shall meet MIL-STD-202, Method 208D for solderability.
2. Flammability: UL94V-0
3. ASTM oxygen index: > 28%
4. Insulation System: Class F 155°C. UL file E151556
5. Operating Temperature Range: All listed parameters are to be within tolerance from -40°C to +85°C
6. Storage Temperature Range: -55°C to +125°C
7. Aqueous wash compatible
8. SMD Lead Coplanarity: ±0.004"(0.102mm)
9. Moisture Sensitivity: Level 3
10. Electrical and mechanical specifications 100% tested
11. RoHS Compliant Component

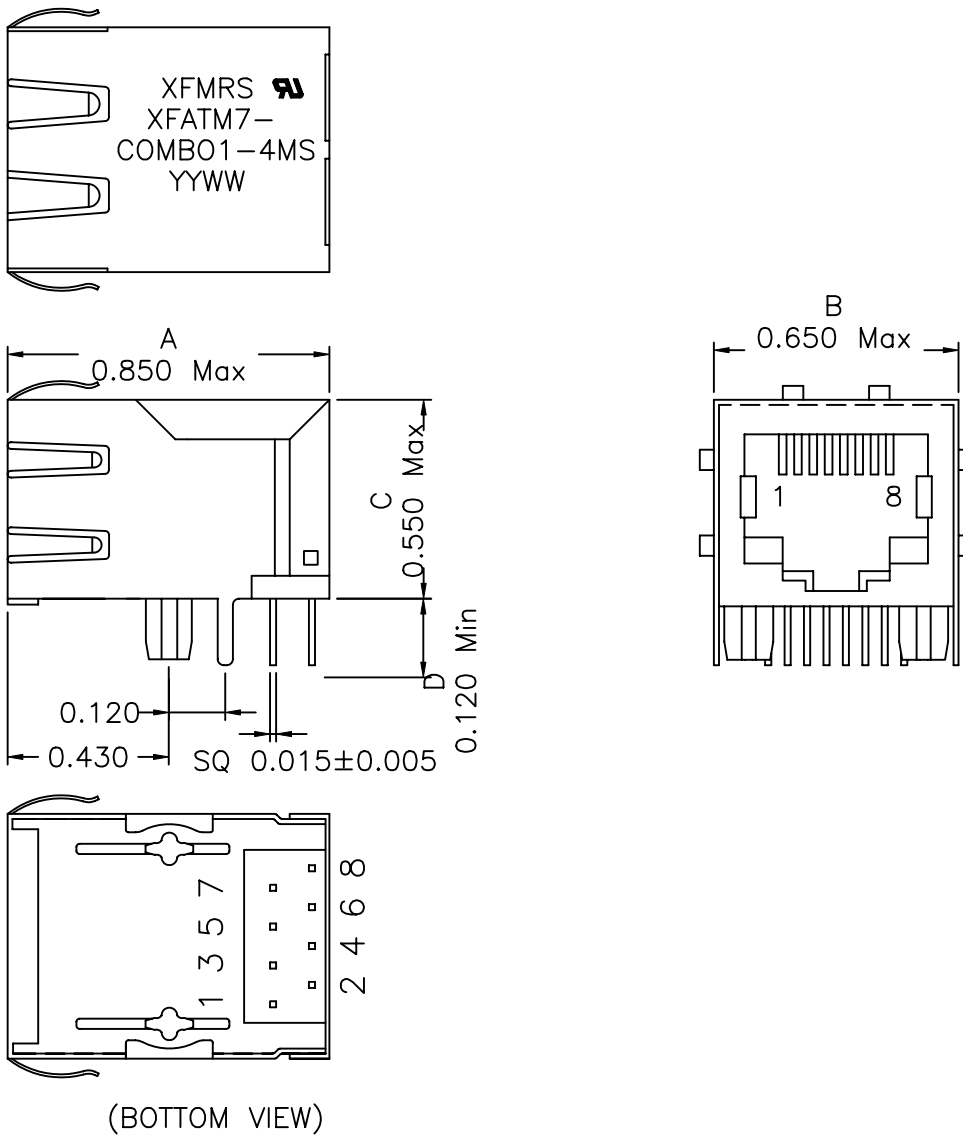
DOC. REV: A/4

XFMRs Inc. www.XFMRS.com		Title: SINGLE PORT COMBO	
UNLESS OTHERWISE SPECIFIED		P/N: XFATM7-COMBO1-4MS	REV. A
TOLERANCES: .xxx ±0.010		DWN. 廖玉坤	Feb-03-05
Dimensions in Inch		CHK. 李清儿	Feb-03-05
SHEET 1 OF 2		APP. MS	Feb-03-05

PROPRIETARY:

Document is the property of XFMRs Group & is not allowed to be duplicated without authorization.

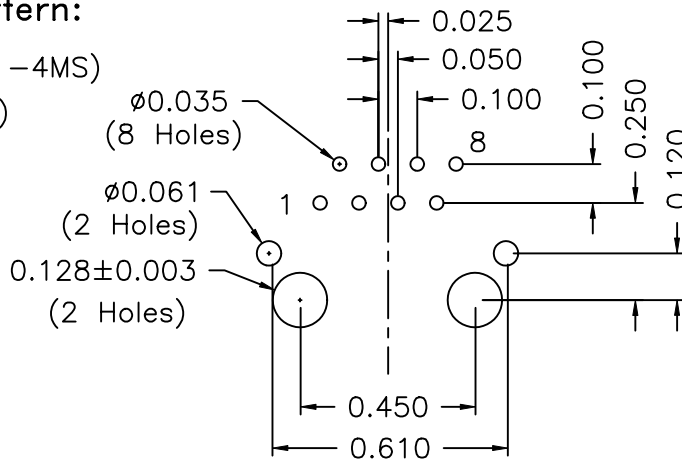
Mechanical Dimensions:



(BOTTOM VIEW)

Mounting Pattern:

(FOR COMBO1-4MS)
(COMP SIDE)



DOC REV: A/4

XFMRS Inc. www.XFMRS.com	Title: Mechanical Dimensions For COMBO1-4MS Series		
	UNLESS OTHERWISE SPECIFIED TOLERANCES: .xxx ±0.010 Dimensions in Inch	P/N: XFATM7-COMBO1-4MS	REV. A
SHEET 2 OF 2	DWN.	Juan Mao	Feb-03-05
	CHK.	YK Liao	Feb-03-05
	APP.	MS	Feb-03-05

PROPRIETARY:
 Document is the property of XFMRS Group & is not allowed to be duplicated without authorization.