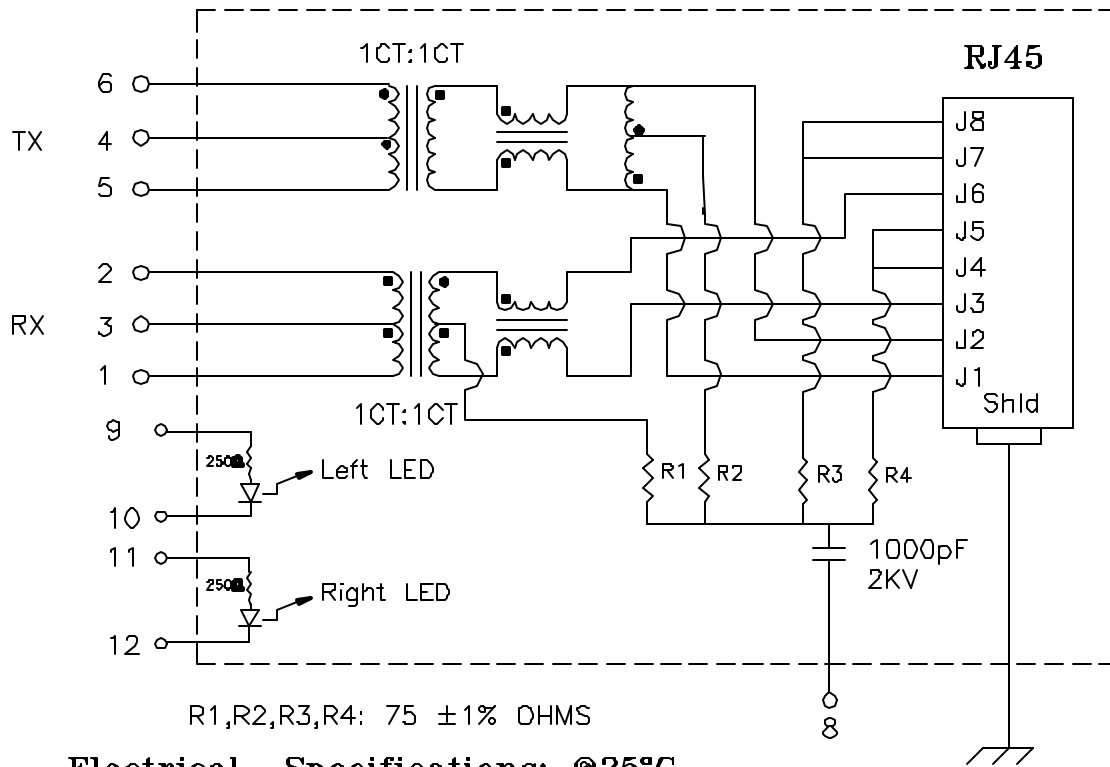


Schematic:



Electrical Specifications: @25°C

Isolation Voltage: 1500 Vac
 Isolation Voltage: 500 Vac (1+2+3-4+5+6)
 UTP SIDE OCL: 350uH Min @100KHz 100mV 8mADC
 Rise Time (10-90%) 2.5ns Typical

1.0 dB Max @0.300MHz - 1.0MHz
 0.3 dB Max @1.0MHz - 15.0MHz
 0.85 dB Max @15.0MHz - 60.0MHz
 1.1 dB Max @60.0MHz - 80.0MHz
 1.1 dB Max @80.0MHz - 100.0MHz

43.0 dB MIN @0.300MHz - 1.0MHz
 43.0 dB Min @1.0MHz - 15.0MHz
 43.0 dB Min @15.0MHz - 60.0MHz
 38.0 dB Min @60.0MHz - 80.0MHz
 38.0 dB Min @80.0MHz - 100.0MHz

Return Loss:
 18.0 dB Min @0.300MHz - 1.0MHz
 18.0 dB Min @1.0MHz - 15.0MHz
 18.0 dB TYP @15.0MHz - 60.0MHz
 15.0 dB TYP @60.0MHz - 80.0MHz
 12.0 dB TYP @80.0MHz - 100.0MHz

CMRR:
 TX 46.0 RX 35.0 dB Min @0.300MHz - 1.0MHz
 TX 46.0 RX 35.0 dB Min @1.0MHz - 15.0MHz
 TX 46.0 RX 35.0 dB Min @15.0MHz - 60.0MHz
 TX 42.0 RX 33.0 dB Min @60.0MHz - 80.0MHz
 TX 42.0 RX 33.0 dB Min @80.0MHz - 100.0MHz

Complete the Combo P/N as follows:

Replace 'x' & 'u' in the part number with one of the LED color letters:

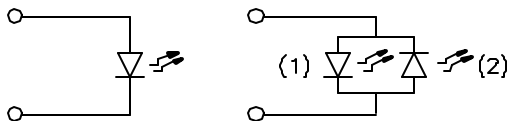
Y=Yellow
 G=Green
 A=Amber
 R=Red

'x' = Left LED Color
 'u' = Right LED Color

C=Green(1)/Amber(2) Bicolor
 D=Amber(1)/Green(2) Bicolor
 M=Green(1)/Yellow(2) Bicolor
 N=Yellow(1)/Green(2) Bicolor
 P=Red(1)/Green(2) Bicolor
 Q=Green(1)/Red(2) Bicolor

Single Color LED:

Bi-Color LED:



DOC. REV: A/7

Notes.

- Solderability: Leads shall meet MIL-STD-202, Method 208D for solderability.
- Flammability: UL94V-0
- ASTM oxygen index: > 28%
- Insulation System: Class F 155°C UL file E151556
- Operating Temperature Range: All listed parameters are to be within tolerance from -40°C to +85°C
- Storage Temperature Range: -55°C to +125°C
- Aqueous wash compatible

XFMRs Inc.

Title:

SINGLE PORT COMBO

UNLESS OTHERWISE SPECIFIED

P/N: XFATM2ZC-CLxu1-4MS

REV. A

TOLERANCES:

DWN.

Juan Mao

Jan-14-04

.xxx ±0.010

Dimensions in Inch

CHK.

YK Liao

Jan-14-04

SHEET 1 OF 2

APP.

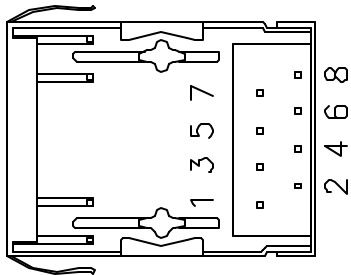
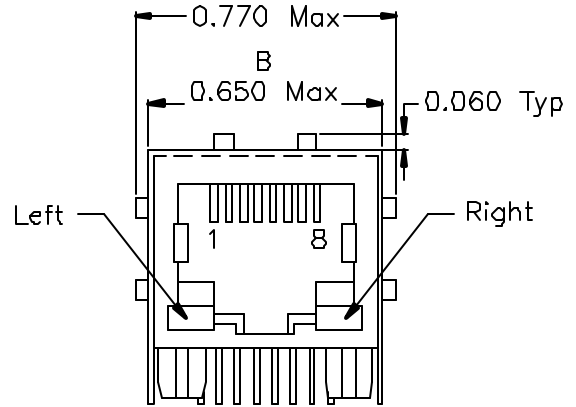
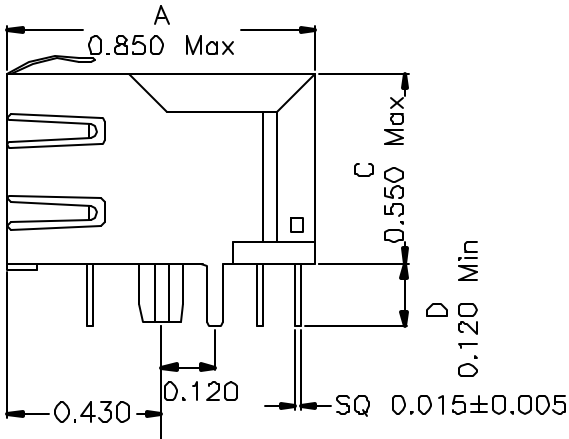
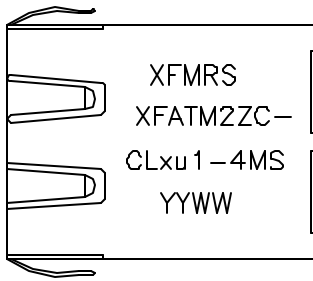
MS

Jan-14-04

PROPRIETARY:

Document is the property of XFMRs Group & is not allowed to be duplicated without authorization

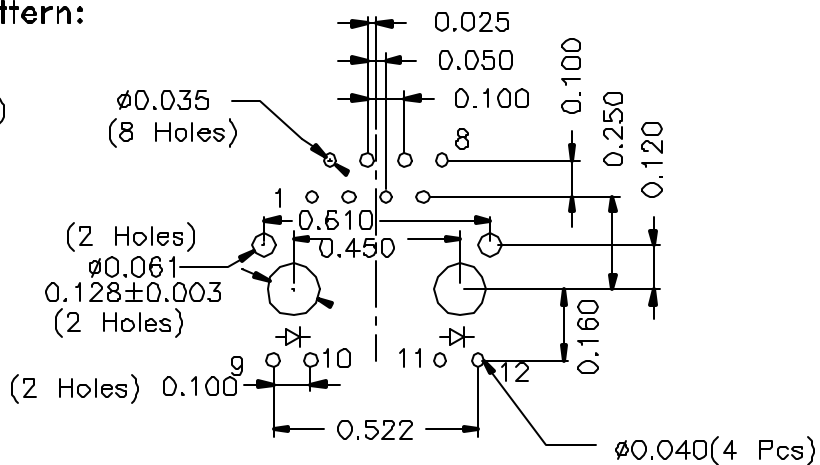
Mechanical Dimensions:



(BOTTOM VIEW)

Mounting Pattern:

(COMP SIDE)



DOC. REV: A/7

PROPRIETARY:

Document is the property of XFMRS Group & is not allowed to be duplicated without authorization.

XFMRS Inc.		Title: Mechanical Dimensions For CLxu1-4MS Series	
UNLESS OTHERWISE SPECIFIED	P/N: XFATM2ZC-CLxu1-4MS	REV A	
TOLERANCES:	DWN.	Juan Mao	Jan-14-04
.xxx ±0.010	CHK.	YK Liao	Jan-14-04
Dimensions in Inch	APP.	MS	Jan-14-04
SHEET 2 OF 2			