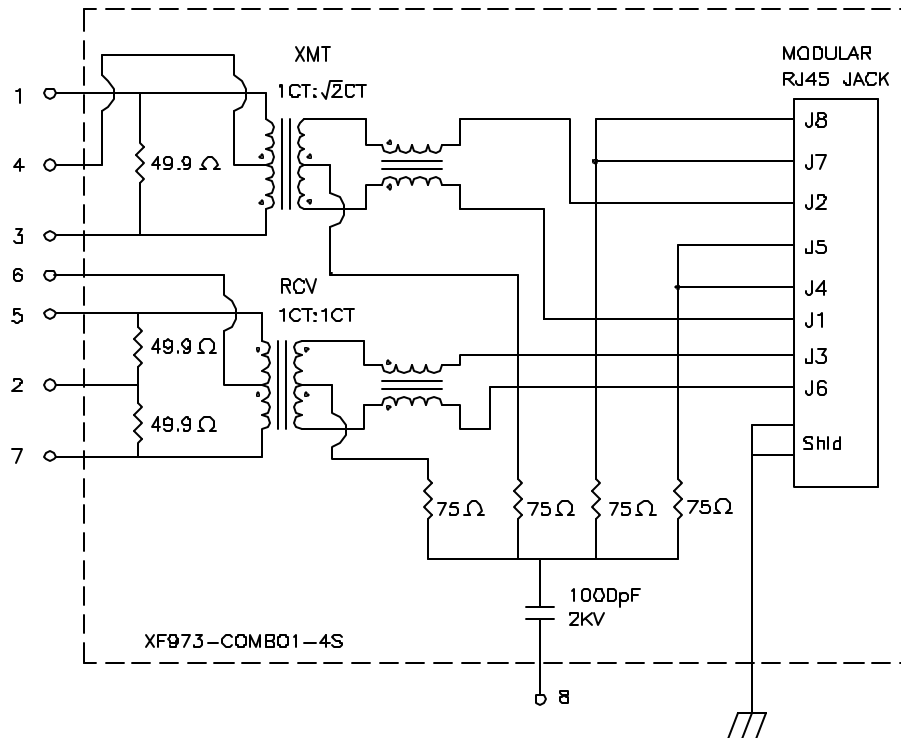


## Schematic:



## Electrical Specifications: @25°C

ISOLATION: 1500 Vrms (Input to Output)

ISOLATION: 500 Vrms (P1+4+3 - P5+6+2+7)

TURN RATIO: 1CT:1CT±5% (RCV)

TURN RATIO: 1CT:√2CT±5% (XMT)

CABLE SIDE OCL: 350uH Minimum @100KHz 100mV 8mADC

Cw/w: 27pF Typical @100KHz 100mV

RX RETURN LOSS: @30MHz -20dB Typ

@80MHz -15dB Typ

### Notes:

1. Solderability: Leads shall meet MIL-STD-202C, Method 208H for solderability.
2. Flammability: UL94V-0
3. ASTM oxygen index: > 28%
4. Insulation System: Class F 155°C. UL file E151556
5. Operating Temperature Range: All listed parameters are to be within tolerance from -40°C to +85°C
6. Storage Temperature Range: -55°C to +125°C
7. Aqueous wash compatible
8. Electrical and mechanical specifications 100% tested
9. RoHS Compliant Component

DOC REV: A/9

**XFMRs Inc.**  
www.XFMRs.com

Title: **SINGLE PORT COMBO**

UNLESS OTHERWISE SPECIFIED  
TOLERANCES:

P/N: XF973-COMBO1-4S

REV. A

.xxx ±0.010  
Dimensions in Inch

DWN.

罗振江

Apr-24-07

CHK.

廖玉坤

Apr-24-07

SHEET 1 OF 2

APP.

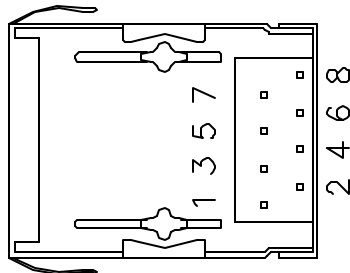
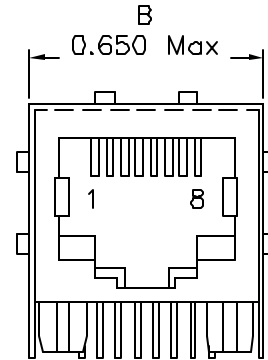
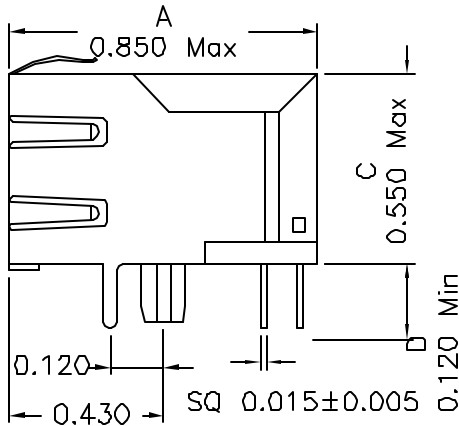
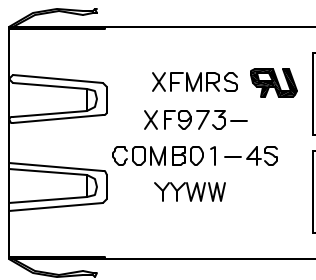
MS

Apr-24-07

**PROPRIETARY**

Document is the property of XFMRs Group & is not allowed to be duplicated without authorization.

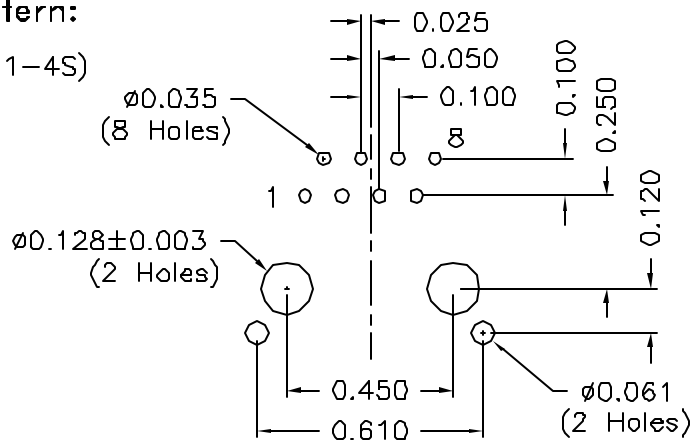
### Mechanical Dimensions:



(BOTTOM VIEW)

### Mounting Pattern:

(FOR COMBO1-4S)  
(COMP SIDE)



DOC REV: A/9

**PROPRIETARY**

Document is the property of XFMRS Group & is not allowed to be duplicated without authorization.

<b>XFMRS Inc.</b> <a href="http://www.XFMRS.com">www.XFMRS.com</a>		Title: Mechanical Dimensions For COMBO1-4S Series	
UNLESS OTHERWISE SPECIFIED TOLERANCES: .xxx ±0.010 Dimensions in Inch		P/N: XF973-COMBO1-4S	REV. A
DWN.	罗振江	CHK.	廖玉坤
APP.	MS		
SHEET 2 OF 2		Apr-24-07	Apr-24-07