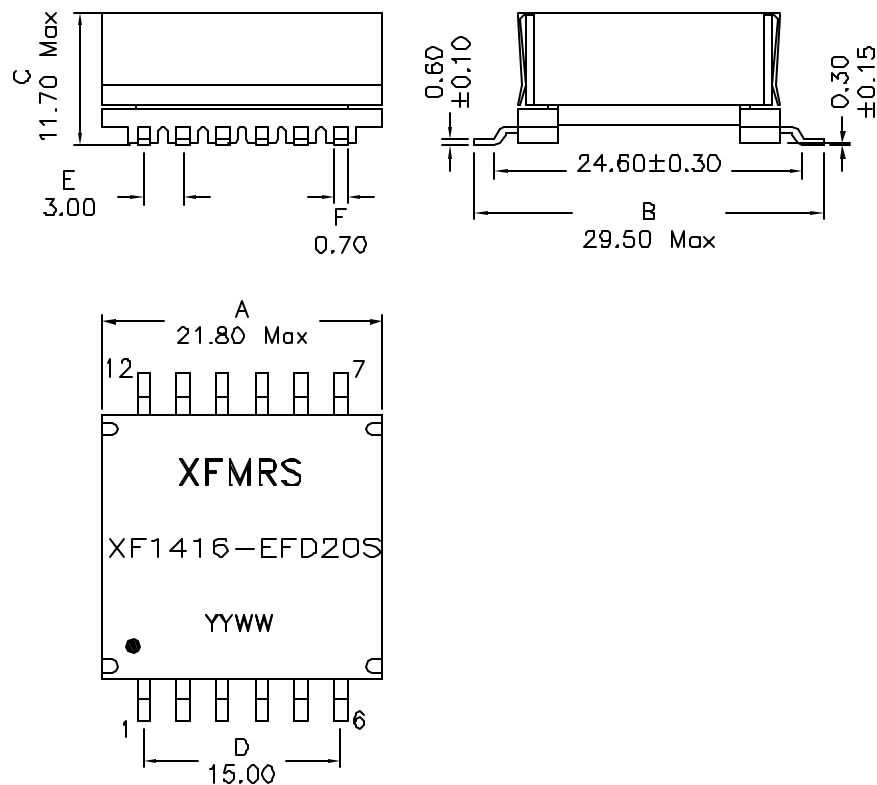
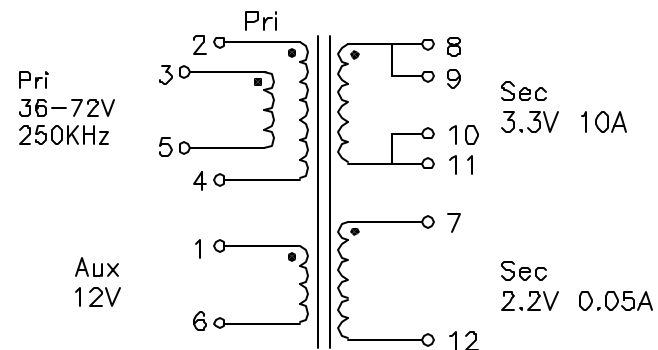


## 1. Mechanical Dimensions:



## 2. Schematic:



## 3. Electrical Specifications: @25°C

OCL: Pins 2,3-4,5 141uH Min @250KHz, 0.7V  
 LL: Pins 2,3-4,5 1uH Max @250KHz, 0.7V, Short Secs  
 DCR: Pins 2,3-4,5 0.031 Ohms Max  
 Pins 1-6 0.923 Ohms Max  
 Pins 8,9-10,11 0.0055 Ohms Max  
 Pins 7-12 0.112 Ohms Max  
 Turns Ratio: Pins (2,3-4,5):(8,9-10,11):(7-12):(1-6)=  
 13.0:3.00:2.00:8.00  
 Isolation Voltage: 1500Vrms, Pri&Aux to Sec

### Notes:

- Solderability: Leads shall meet MIL-STD-202G, Method 208H for solderability.
- Flammability: UL94V-0
- ASTM oxygen index > 28%
- Insulation System: Class F 155°C. UL file E151556
- Operating Temperature Range: All listed parameters are to be within tolerance from -40°C to +85°C
- Storage Temperature Range: -55°C to +125°C
- Aqueous wash compatible
- SMD Lead Coplanarity: ±0.004" (0.102mm)
- Electrical and mechanical specifications 100% tested
- RoHS Compliant Component

DOC. REV A/1

**PROPRIETARY**

Document is the property of XFMRS Group & is not allowed to be duplicated without authorization.

XFMRS Inc www.XFMRS.com	Title: 33W Forward Transformer		
	UNLESS OTHERWISE SPECIFIED TOLERANCES: .xx ±0.25		P/N: XF1416-EFD20S
Dimensions in MM	DWN.	Juan Mao	REV. A May-17-07
SHEET 1 OF 1	CHK.	YK Liao	May-17-07
	APP.	BW	May-17-07