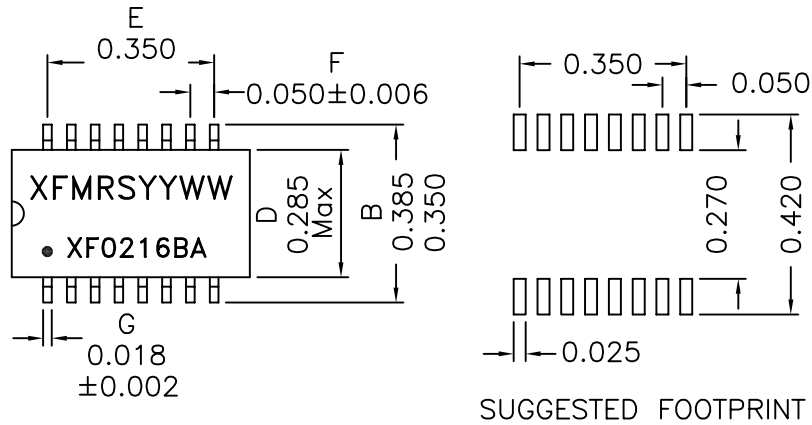
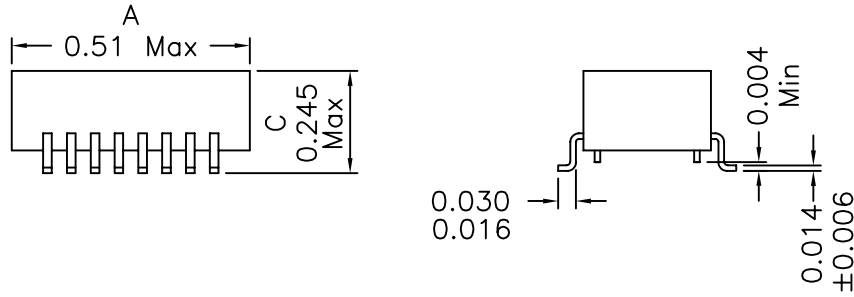


### 1. Dimensions:

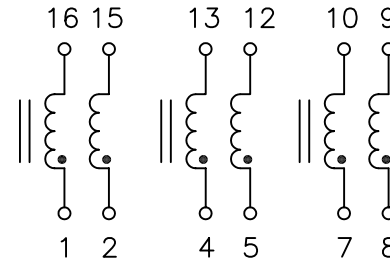


**Notes:**

1. Solderability: Leads shall meet MIL-STD-202G, Method 208H for solderability.
2. Flammability: UL94V-0
3. ASTM oxygen index: > 28%
4. Insulation System: Class F 155°C. UL file E151556
5. Operating Temperature Range: All listed parameters are to be within tolerance from -40°C to +85°C
6. Storage Temperature Range: -55°C to +125°C
7. Aqueous wash compatible
8. SMD Lead Coplanarity: ±0.004"(0.102mm)
9. Electrical and mechanical specifications 100% tested
10. RoHS Compliant Component

Doc Rev.: A/3

### 2. Schematic:



### 3. Electrical Specifications: @25°C

- Isolation Voltage: 500 Vrms
- Turns Ratio: 1:1
- OCL: 21uH Min @100KHz 50mV
- Cw/w: 25pF Max. @100KHz 50mV
- Leakage Inductance: 0.25uH Max. @100KHz 50mV
- DC Resistance: 0.350 Ohms Max. each wdg
- Common Mode Attenuation:
  - 6dB Typ @100KHz
  - 19dB Typ @1MHz
  - 28dB Typ @10MHz
  - 34dB Typ @30MHz
  - 35dB Typ @50MHz
  - 36dB Typ @100MHz
  - 34dB Typ @300MHz
  - 29dB Typ @500MHz
  - 1dB Typ @1GHz

<b>XFMRs Inc</b> www.XFMRs.com		Title: COMMON MODE CHOKE	
UNLESS OTHERWISE SPECIFIED		P/N: XF0216BA	REV. A
TOLERANCES: .xxx ±0.010		DWN. 廖玉坤	Oct-15-09
Dimensions in Inch		CHK. 李清儿	Oct-15-09
SCALE 2.5:1 SHT 1 OF 1		APP. BW	Oct-15-09