

RoHS Compliant Product

Description

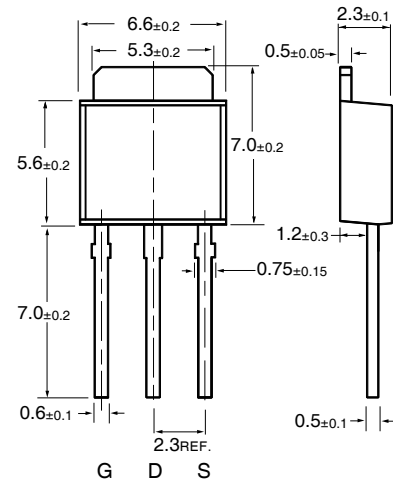
The SID3310 provide the designer with the best combination of fast switching, ruggedized device design, low on-resistance and cost-effectiveness.

The TO-251 is universally preferred for all commercial-industrial surface mount applications and suited for low voltage applications such as DC/DC converters.

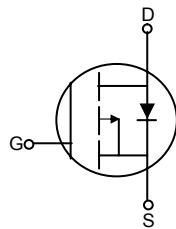
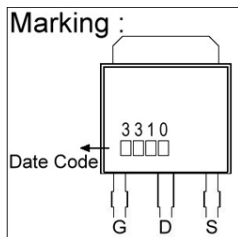
Features

- * 2.5V Gate Drive Capability
- * Simple Drive Requirement

TO-251



Dimensions in millimeters



Absolute Maximum Ratings

Parameter	Symbol	Ratings	Unit
Drain-Source Voltage	V_{DS}	-20	V
Gate-Source Voltage	V_{GS}	± 12	V
Continuous Drain Current, $V_{GS}@10V$	$I_D@T_C=25^\circ C$	-10	A
Continuous Drain Current, $V_{GS}@10V$	$I_D@T_C=100^\circ C$	-6.2	A
Pulsed Drain Current ¹	I_{DM}	-24	A
Total Power Dissipation	$P_D@T_C=25^\circ C$	25	W
Linear Derating Factor		0.01	W/ $^\circ C$
Operating Junction and Storage Temperature Range	T_J, T_{stg}	-55~+150	$^\circ C$

Thermal Data

Parameter	Symbol	Ratings	Unit
Thermal Resistance Junction-case	R_{thj-c}	5.0	$^\circ C/W$
Thermal Resistance Junction-ambient	R_{thj-a}	110	$^\circ C/W$

Electrical Characteristics(T_j=25°C Unless otherwise specified)

Parameter	Symbol	Min.	Typ.	Max.	Unit	Test Condition
Drain-Source Breakdown Voltage	BV _{DSS}	-20	-	-	V	V _{GS} =0V, I _D =-250uA
Breakdown Voltage Temp. Coefficient	ΔBV _{DSS} /ΔT _j	-	-0.1	-	V/°C	Reference to 25°C, I _D =-1mA
Gate Threshold Voltage	V _{GS(th)}	-0.5	-	-	V	V _{DS} =V _{GS} , I _D =-250uA
Gate-Source Leakage Current	I _{GSS}	-	-	±100	nA	V _{GS} =±12V
Drain-Source Leakage Current (T _j =25°C)	I _{DSS}	-	-	-1	uA	V _{DS} =-20V, V _{GS} =0
Drain-Source Leakage Current(T _j =150°C)		-	-	-25	uA	V _{DS} =-16V, V _{GS} =0
Static Drain-Source On-Resistance	R _{DS(ON)}	-	-	150	mΩ	V _{GS} =-4.5V, I _D =-2.8A
		-	-	250		V _{GS} =-2.5V, I _D =-2A
Total Gate Charge ²	Q _g	-	6	-	nC	I _D =-2.8A V _{DS} =-6V V _{GS} =-5V
Gate-Source Charge	Q _{gs}	-	1.5	-		
Gate-Drain ("Miller") Charge	Q _{gd}	-	0.6	-		
Turn-on Delay Time ²	T _{d(ON)}	-	2.5	-	nS	V _{DD} =-6V I _D =-1A V _{GS} =-5V R _G =6Ω R _D =6Ω
Rise Time	T _r	-	60	-		
Turn-off Delay Time	T _{d(off)}	-	70	-		
Fall Time	T _f	-	60	-		
Input Capacitance	C _{iss}	-	300	-	pF	V _{GS} =0V V _{DS} =-6V f=1.0MHz
Output Capacitance	C _{oss}	-	180	-		
Reverse Transfer Capacitance	C _{rss}	-	60	-		
Forward Transconductance	G _{fs}	-	4.4	-	S	V _{DS} =-5V, I _D =-2.8A

Source-Drain Diode

Parameter	Symbol	Min.	Typ.	Max.	Unit	Test Condition
Forward On Voltage ²	V _{SD}	-	-	-1.2	V	I _S =-10A, V _{GS} =0V, T _j =25°C
Continuous Source Current (Body Diode)	I _S	-	-	-10	A	V _D =V _G =0V, V _S =-1.2
Pulsed Source Current (Body Diode) ¹	I _{SM}	-	-	-24	A	

Notes: 1.Pulse width limited by Max. junction temperature.

2.Pulse width ≤300us, dutycycle ≤2%.

Characteristics Curve

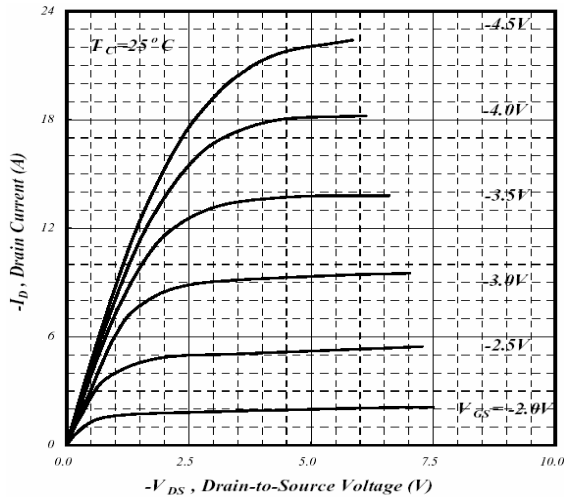


Fig 1. Typical Output Characteristics

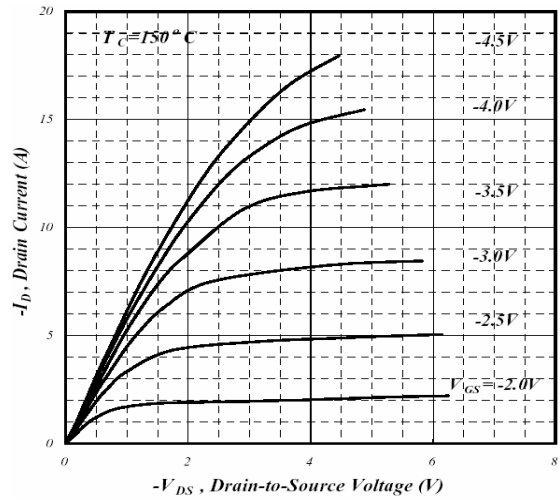


Fig 2. Typical Output Characteristics

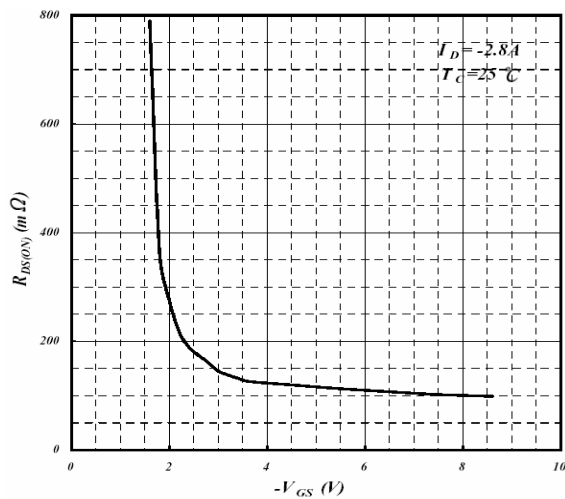


Fig 3. On-Resistance v.s. Gate Voltage

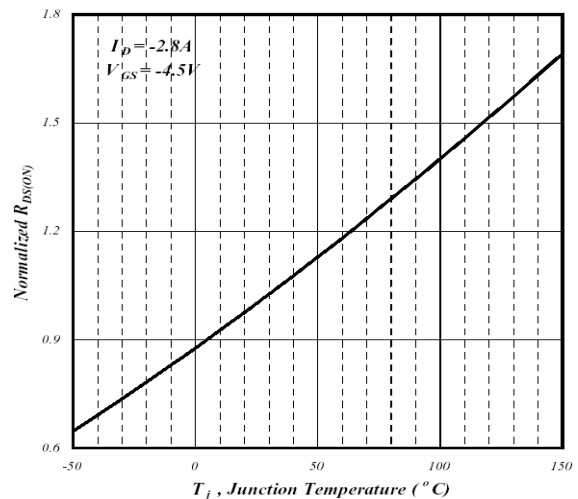


Fig 4. Normalized On-Resistance v.s. Junction Temperature

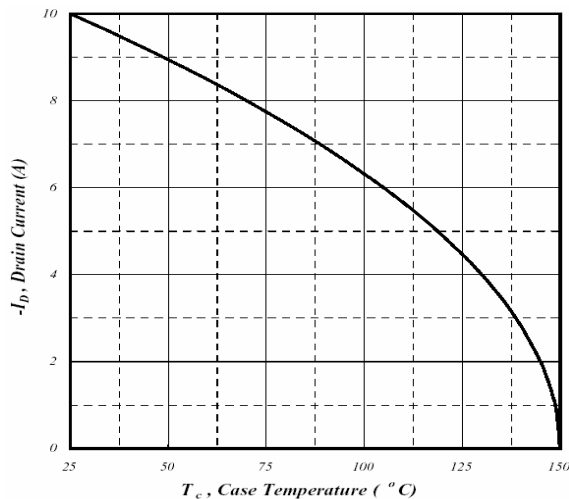


Fig 5. Maximum Drain Current v.s. Case Temperature

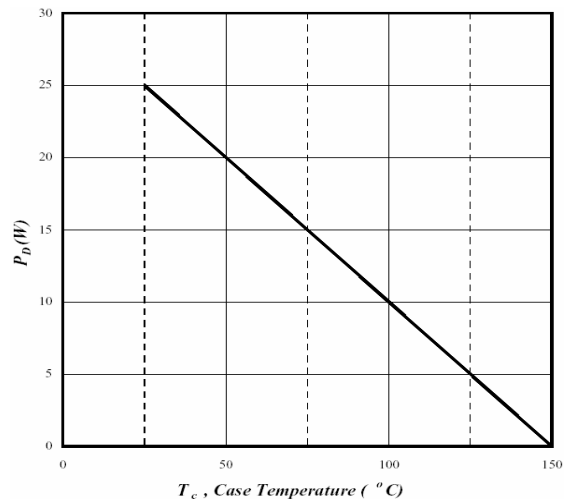


Fig 6. Type Power Dissipation

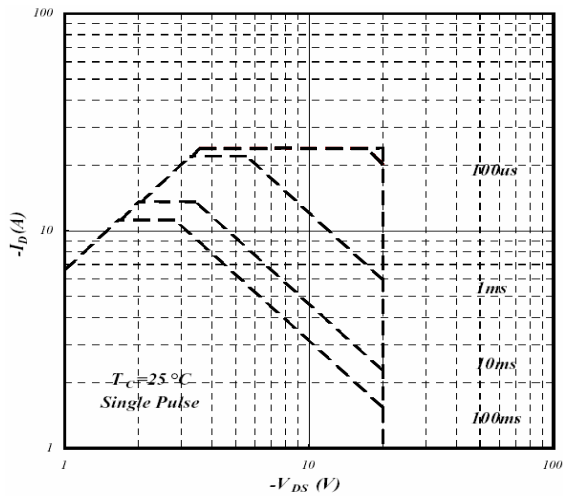


Fig 7. Maximum Safe Operating Area

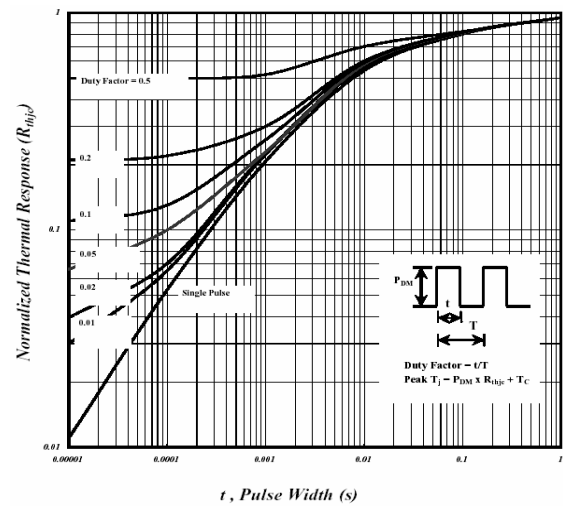


Fig 8. Effective Transient Thermal Impedance

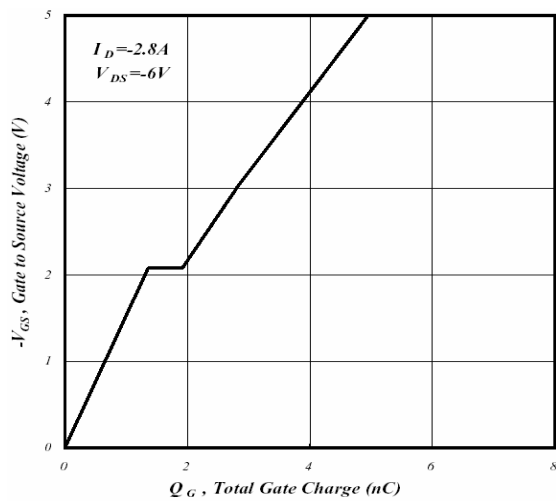


Fig 9. Gate Charge Characteristics

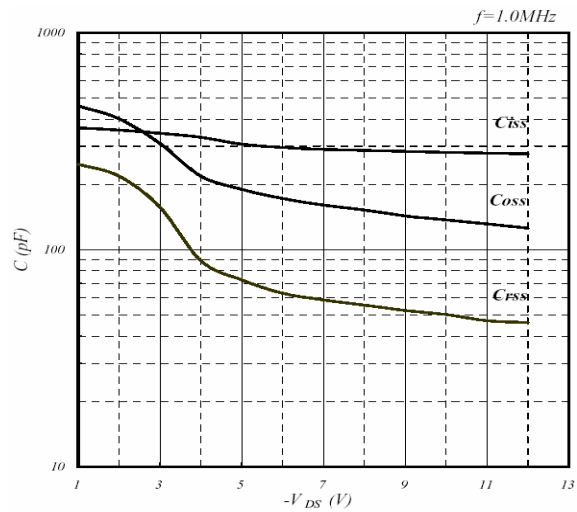


Fig 10. Typical Capacitance Characteristics

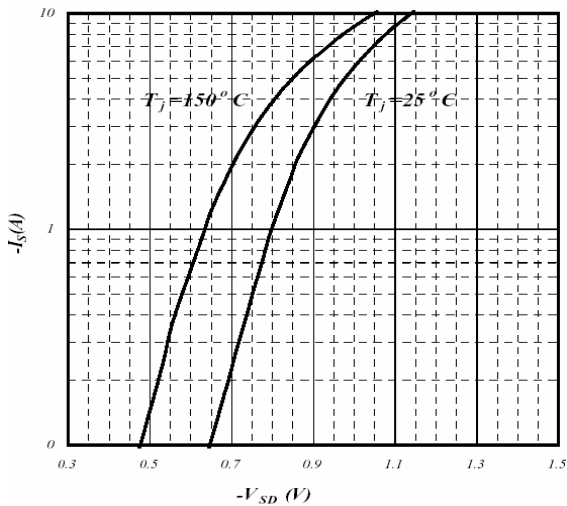


Fig 11. Forward Characteristics of Reverse Diode

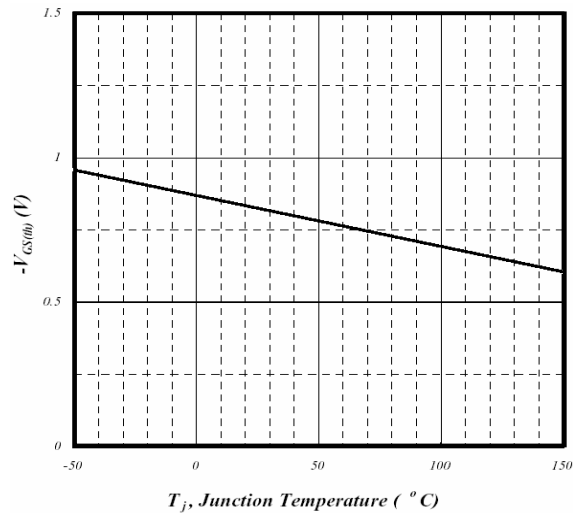


Fig 12. Gate Threshold Voltage v.s. Junction Temperature

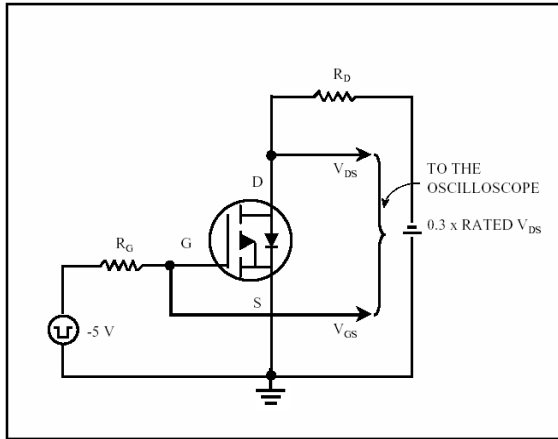


Fig 13. Switching Time Circuit

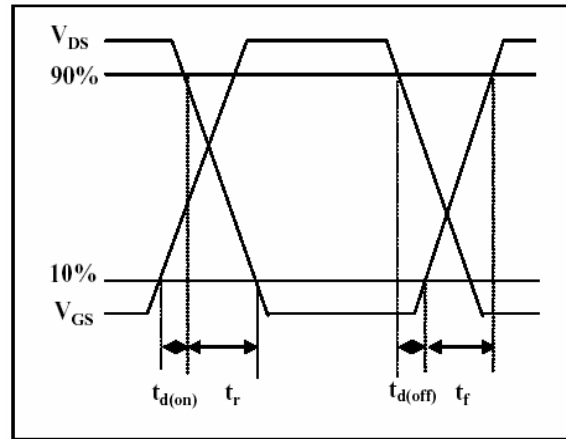


Fig 14. Switching Time Waveform

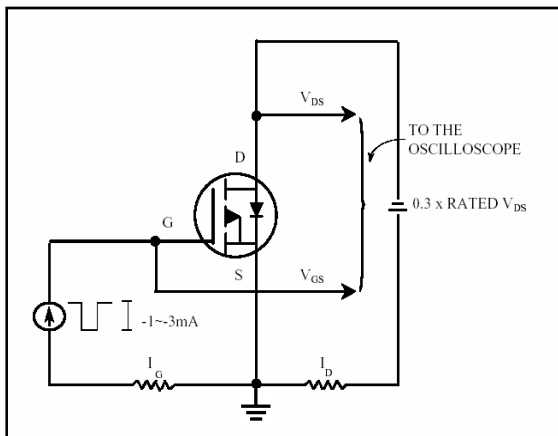


Fig 15. Gate Charge Circuit

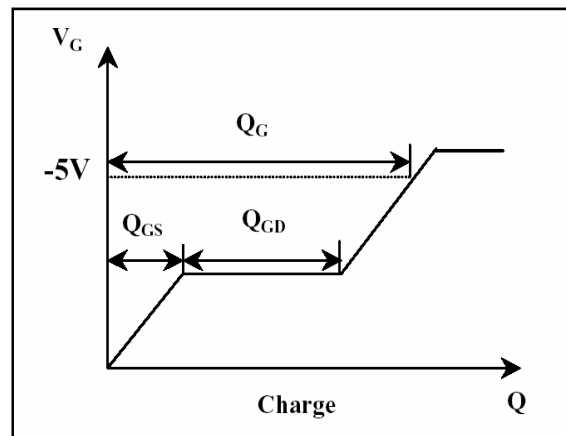


Fig 16. Gate Charge Waveform