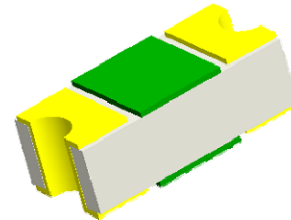


Features

- ESD protection for high speed data lines to
IEC61000-4-2 ESD contact discharge typical 8KV, max 15KV
IEC61000-4-2 ESD air discharge typical 15KV, max 25KV
- Multilayer structure
- Surface mount
- Extremely low capacitance
- Very low leakage current
- Fast response time
- Bi-directional ESD protection
- Lead free solder termination
- The best ESD protection for high frequency, low voltage applications



Application

- High Definition Multi-Media Interface (HDMI)
- Digital Visual Interface (DVI)
- Display Port Interface
- Unified Display Interface (UDI)
- MDDI Ports
- Gigabit Ethernet
- USB2.0 and IEEE1394 interface

Caution: This component is designed for signal line protection only, not intended to be used under bias, not for application with a power line.

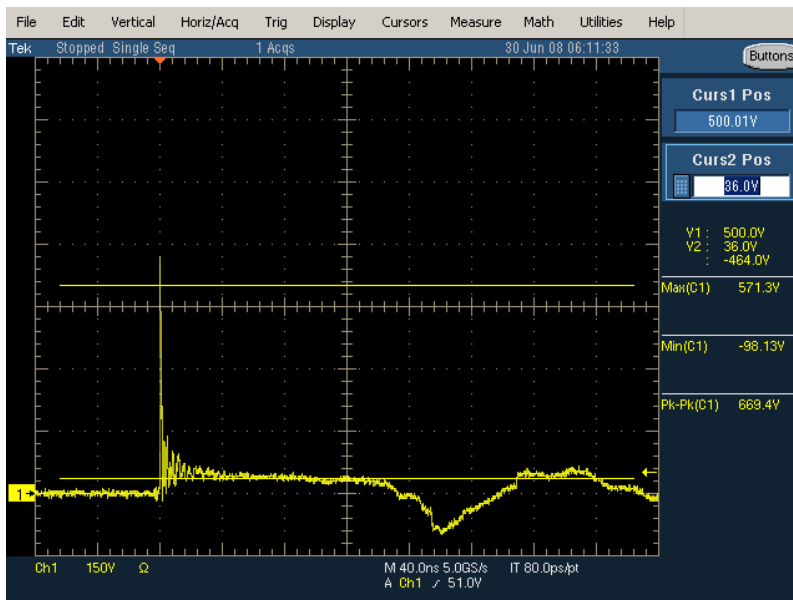
Electrical Characteristics

Electrical Characteristics						
Parameter	Symbol	Conditions	Min	Typ	Max	Units
Continuous operating voltage	V_{DC}	---	---	---	24	V
Trigger voltage	V_T	IEC61000-4-2 8KV contact discharge	---	500	---	V
Clamping voltage	V_C	IEC61000-4-2 8KV contact discharge	---	36	---	V
Leakage current	I_L	24V V_{DC}	---	0.20	10	nA
Capacitance	C_P	$V_R = 0V, f = 1MHz$	---	0.15	0.3	pF
Operating Temperature	---	---	-40	---	90	°C
Storage Temperature	---	---	-55	---	150	°C
ESD pulse withstand	Pulses	IEC61000-4-2 8KV contact discharge	2000	---	---	---

Notes:

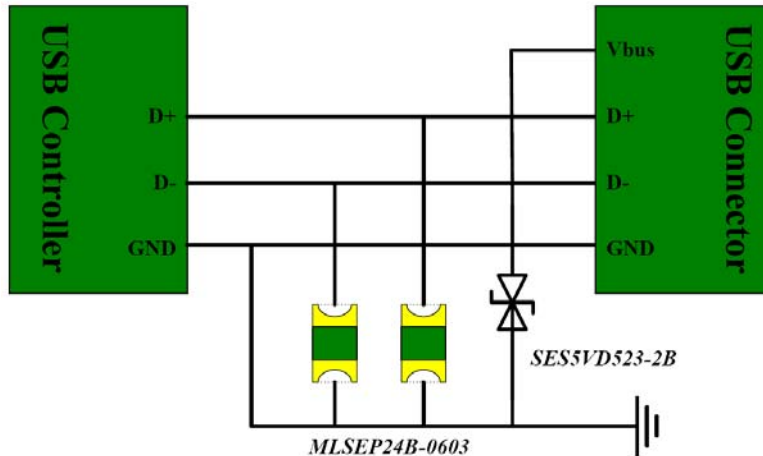
1, Trigger and clamping voltage measure per IEC 61000-4-2, 8KV direct discharge method

Typical PESD clamping for +8KV pulse per IEC61000-4-2



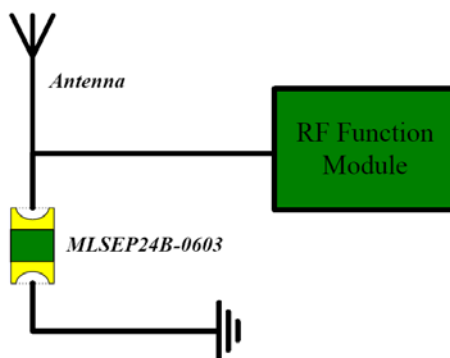
Design Recommendations for USB2.0

For USB2.0 port

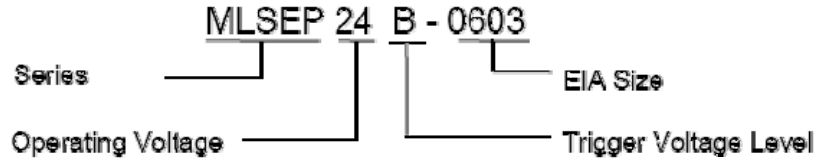


Design Recommendations for Antenna

For antenna line



Part Numbering



Environmental Specifications

Operation temperature: -40~90°C

Moisture Resistance, Steady state: MIL-STD-833, Method 1004.7, 85% RH, 85°C, 1000hrs

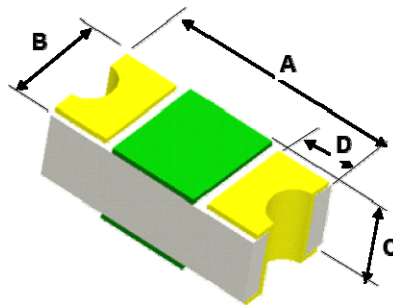
Thermal Shock: MIL-STD-202, Method 107G, -55°C to 150°C, 30 min cycle, 10 cycles.

Vibration: MIL-STD-202F, Method 201A, (10 to 55 to 10HZ, 1 min. cycle, 2hrs each in X-Y-Z)

Chemical Resistance: ASTM D-543, 4hrs @40°C, 3 solutions (H₂O, detergent solution, deluxer)

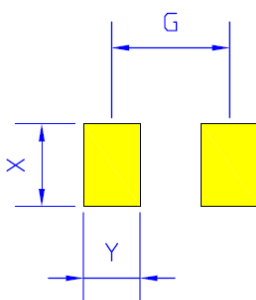
Solder leach resistance and terminal adhesion: Per EIA-576 test

Product Dimensions (mm)



Length A		Width B		Height C		Terminal width D		Unit
Min	Max	Min	Max	Min	Max	Min	Max	
1.50	1.70	0.70	0.90	0.33	0.43	0.40	0.50	mm

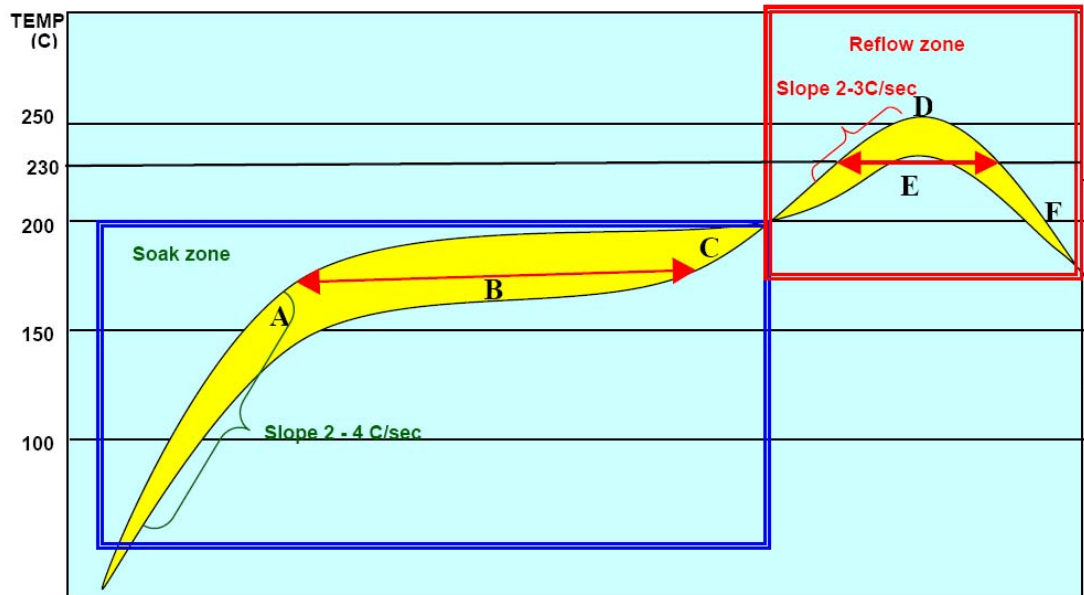
Recommended PAD Layout



X		Y		G		Unit
Min	Max	Min	Max	Min	Max	
0.90	1.00	0.60	0.70	1.30	1.40	mm

Solder Reflow Recommendation

PESD Solder Profile



Item	Process	Description	Reach Temp.	Time or Rate
A	Soak Start	From ambient to soak temperature and soak start	150°C - 180°C	2°C - 4°C / sec
B	Soak time	Soak time	---	60s - 120s
C	Soak end	Soak end	180°C - 200°C	---
D	Peak Temp.	From soak temperature to Peak temperature	260°C	2°C - 3°C / sec
E	Time above	Main heating time	230°C - 260°C	40s - 60s
F	Cooling	From main heating temperature to 100°C	100°C	Max. 4°C / sec

Notes:

1* Peak temperature can be high to 260°C, and the recommendation time is as below

- at 230°C 40s ~ 60s
- at 240°C 30s ~ 40s
- at 260°C 5s ~ 10s

2* Recommended reflow methods: IR, Vapor phase oven, hot air oven, wave solder.

3* Devices can be cleaned using standard industry methods and solvents.

4* Component can withstand 270°C 10 sec.

5* If reflow temperatures exceed the recommended profile, devices may not meet the performance requirements.

Package Information

Tape & Reel: 5000pcs per reel.