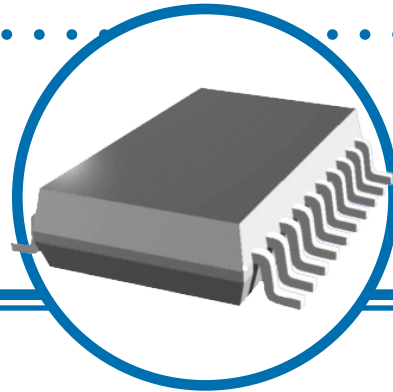


# 17 Channel ESD Protection Network

## QDN002 Series

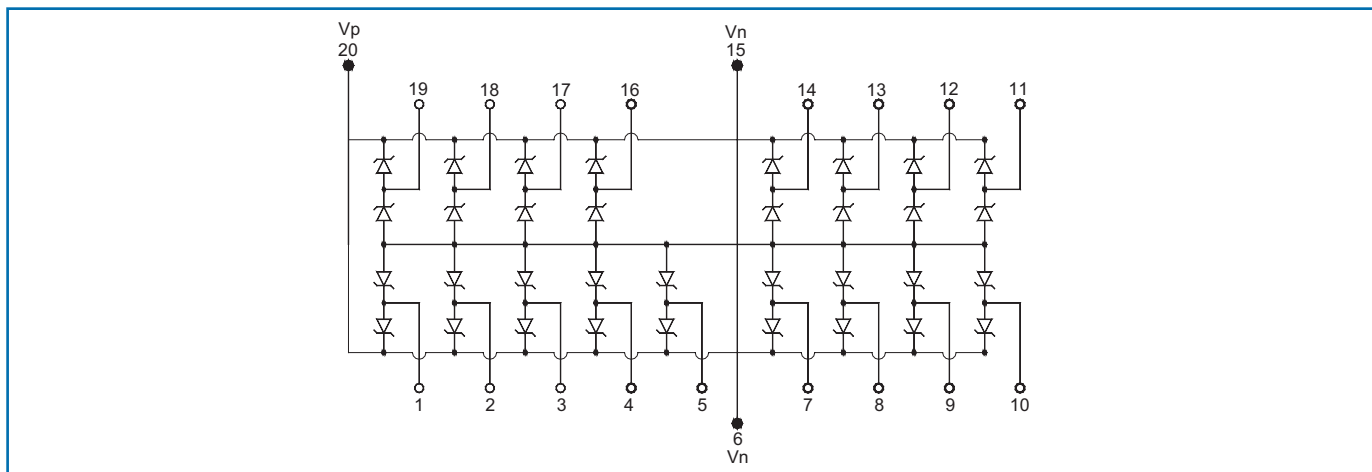
- RoHS compliant and Sn/Pb terminations available
- Reduces overshoot and undershoot for all data line types
- 15KV HBM ESD protection, 8KV ESD contact discharge protection
- Effective termination for both controlled/uncontrolled line terminations
- 34 Schottky diodes integrated in a QSOP package for fast turn-on/reverse recovery characteristics



## Electrical Data

Parameter	Min Value	Max Value
Operating Voltage (Vp - Vn)	-0.3V	12.0V
Diode Forward Voltage	0.65V	1.0V
Channel Input Voltage	Vn -0.5	Vp +0.5
Diode Forward DC Current	N/A	20mA
Supply Current (Vp - Vn) = 12.0V, T = 25°C	N/A	10µA
Channel Input Capacitance (@1MHz) (5.5pF typical)	N/A	12pF
<b>ESD Protection</b>		
MIL-STD-883 Method 3015	±15KV	N/A
Contact Discharge	±8KV	N/A
Channel Leakage Current (T = 25°C) (±0.1µA typical)	N/A	1µA
Package Power Rating	N/A	1.0W
Operating Temperature Range	-20°C	+85°C
Storage Temperature Range	-65°C	+150°C

## Schematic Data

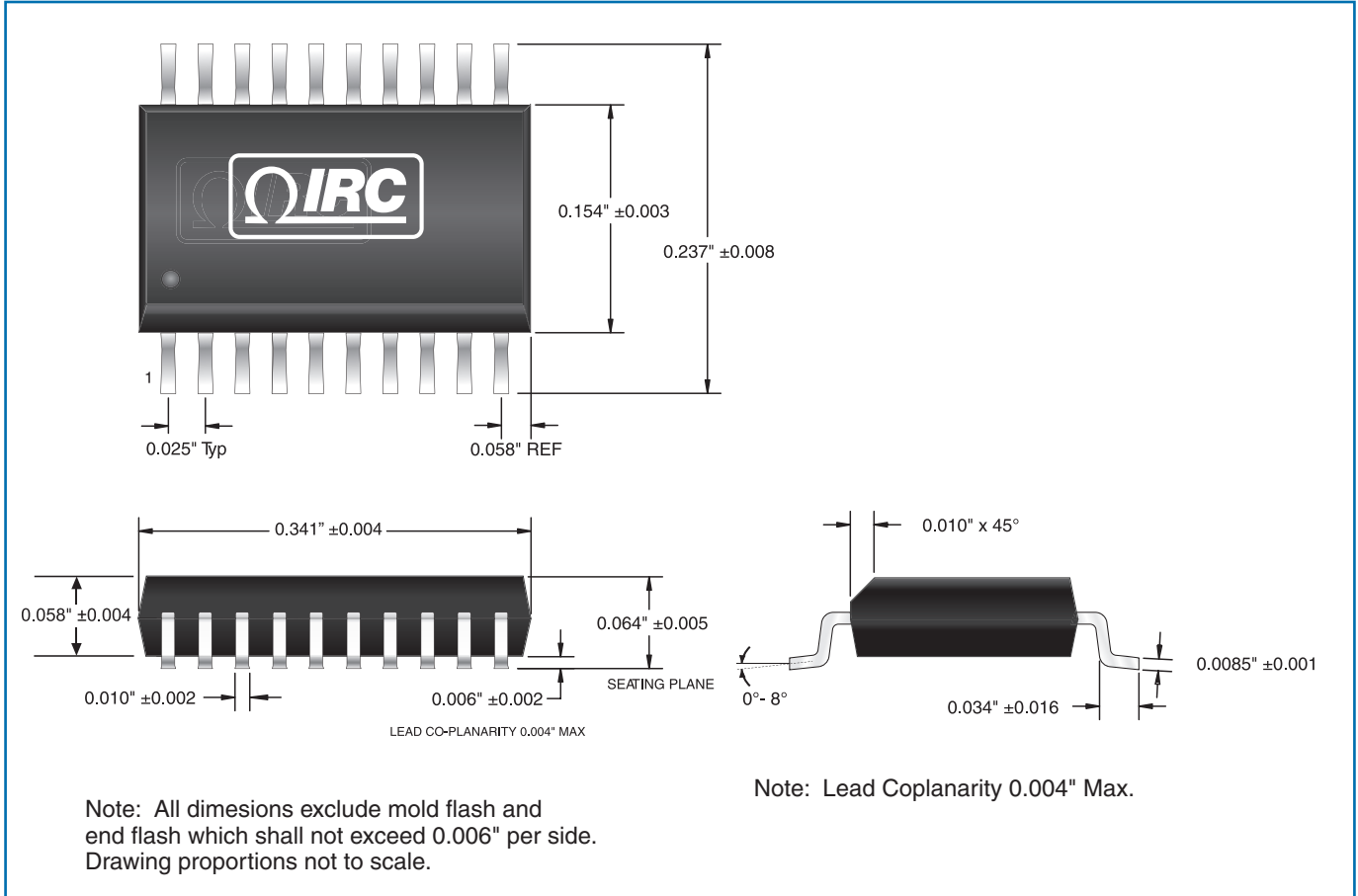


### General Note

IRC reserves the right to make changes in product specification without notice or liability. All information is subject to IRC's own data and is considered accurate at time of going to print.

# 17 Channel ESD Protection Network

## Physical Data



## Ordering Data

Prefix ..... **DNR** - **QDN002LF**

**Model** .....  
 QDN002LF = 20-pin, high speed, 17-line termination network with 100% matte tin, Pb-free terminations  
 QDN002 = 20-pin, high speed, 17-line termination network with Sn/Pb terminations

**Packaging**  
 Specify tubes or tape & reel.

For additional information or to discuss your specific requirements, please contact our Applications Team using the contact details below.