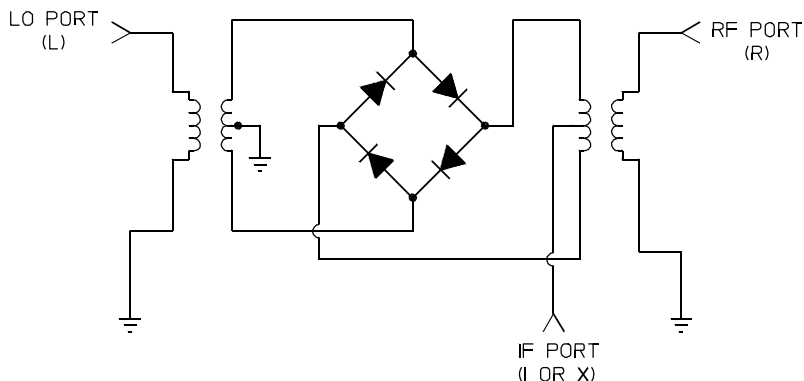


# DMF-4A Series

# DOUBLE BALANCED MIXERS

500 kHz to 2 GHz / +10 to +17 dBm LO / H-Pol Hermetic Flatpack

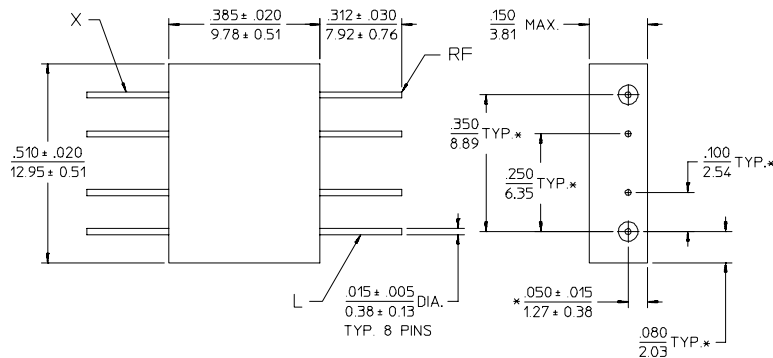


## PRINCIPAL SPECIFICATIONS

Model Number	RF/LO Frequency, MHz	IF Frequency, MHz	Operating Range, MHz	Conversion Loss, dB,		Port Isolation, Min.			Polarity Sense
				Max.	Typ.	L-R dB	L-X dB	R-X dB	
DMF-4A-250	0.5 - 500	DC - 500	0.5 - 1	8.0	7.0	40	30	23	Pos.
			1 - 300	7.0	6.0	40	30	23	
			300 - 500	8.0	7.0	35	20	20	
DMF-4A-500	10 - 1000	DC - 1000	10 - 50	7.5	6.5	35	30	25	Pos.
			50 - 500	7.5	6.5	30	25	20	
			500 - 1000	8.5	7.5	25	15	15	
DMF-4A-700	10 - 1500	DC - 1000	10 - 600	8.0	7.0	30	20	15	Neg.
			600-1000	8.0	7.0	20	12	15	
			1000 - 1500	9.5	8.5	20	12	8	
DMF-4A-1700	500 - 2000	DC - 1000	500 - 2000	8.0	6.0	25	20	15	Neg.

All specifications are as measured in a 50Ω system, at nominal LO power, in a down converter application.

## A-Size Flatpack Outline



- NOTES:
1. Tolerance on 3 place decimals  $\pm 0.10(.25)$  except as noted.
  2. Dimensions in inches over millimeters.
  3. Dimensions marked with \* apply only at body.
  4. All unmarked pins are case ground.

## GENERAL SPECIFICATIONS

LO Drive:	+13 dBm nom.
Impedance:	50 Ω nom.
Noise Figure:	Within $\pm 1$ dB of Conversion Loss
Maximum Input Power:	300 mW @ 25°C (derate linearly to 0 mW @ 125°C)
1 dB Comp. Point:	+8 dBm input, typ.
Input Intercept Point:	+19 dBm, typ.
DC Offset Voltage:	5 mV typ.
Weight:	0.1 oz (2.8 g)
Operating Temperature:	-55° to +85°C

## General Notes:

The DMF-4A series of Double Balanced Mixers covers the frequency range of 0.5 to 2000 MHz using four high-barrier diodes configured for general purpose as well as high performance applications.

29Apr96