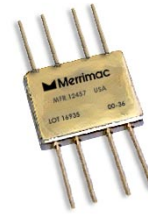




DMF-2A-250 SQ DOUBLE BALANCED MIXER

REV: 001,02/20/01

- SPACE QUALIFIED
- WIDEBAND
- HI-REL FLATPACK



TECHNICAL DESCRIPTION / APPLICATION

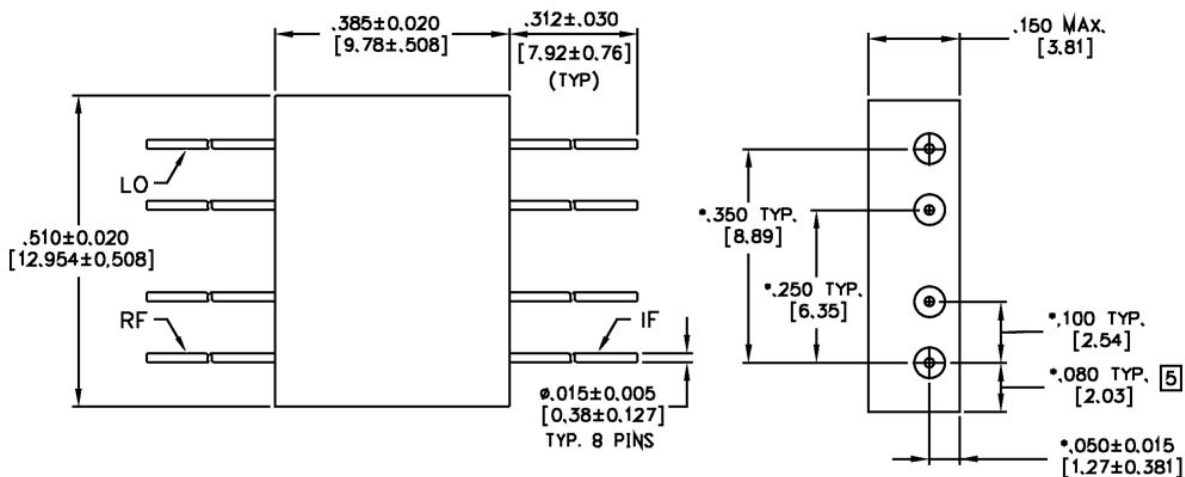
SERIES 05

The DMF-2A-250 SQ is a broadband, high reliability mixer utilizing a 4 diode ring configuration. This has been designed, manufactured and qualified per Merrimac document CENG-0001, "Standard Design Requirements for Space Qualified Devices".

GENERAL SPECIFICATIONS

MODEL NUMBER	LO/RF BANDWIDTH		IF BANDWIDTH			ISOLATION dB MIN.			CONVERSION LOSS		LO POWER LEVEL dBm
	MHz		MHz			L-R	L-X	R-X	TYP.	MAX.	
DMF-2A-250 SQ	0.5 - 500		DC - 500			35	25	20	7 dB	8 dB	+7
RF POWER LEVEL		INPUT INTERCEPT		IMPEDANCE			WEIGHT		OPERATING TEMPERATURE		
dBm MAX		dBm MIN.		NOM.			MAX.				
0		+10		50 OHM			3g		-55° TO + 85° C		

PACKAGE OUTLINE



NOTES:

1. TOLERANCE ON 3 PLACE DECIMALS $\pm .010$ [.25mm] EXCEPT AS NOTED.
2. MAX. IS LARGEST DIMENSION ALLOWED.
3. DIMENSIONS = INCHES [mm]
4. METRIC EQUIVALENTS ARE TO THE NEAREST .01mm.
5. ALL LEADS TO BE WITHIN $\pm .010$ [.25mm] OF EACH OTHER AT THIS DIMENSION.
6. DIMENSIONS MARKED WITH * APPLY ONLY AT BODY
7. ALL UNMARKED PINS ARE CASE GROUND.