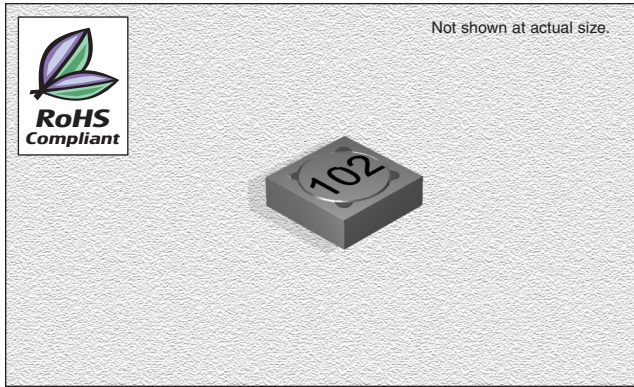


# CTSD14F Series

From 0.58  $\mu\text{H}$  to 1000  $\mu\text{H}$

## SPECIFICATIONS

Parts are available in  $\pm 20\%$  tolerance only.  
\*Current for approximate 20% roll off at 20°C.



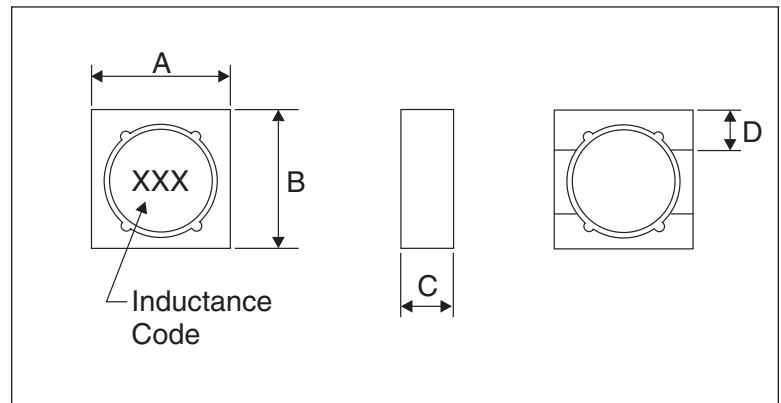
Part Number	Inductance ( $\mu\text{H} \pm 20\%$ )	L Test Freq. (kHz)	DCR Typ. ( $\Omega$ )	Isat* (A)
CTSD14F-R58M	0.58	100	0.0275	4.84
CTSD14F-R87M	0.87	100	0.0304	3.96
CTSD14F-1R2M	1.20	100	0.0430	3.35
CTSD14F-1R5M	1.50	100	0.0488	2.91
CTSD14F-2R0M	2.00	100	0.0556	2.56
CTSD14F-2R5M	2.50	100	0.0744	2.29
CTSD14F-3R2M	3.20	100	0.0829	2.08
CTSD14F-4R5M	4.50	100	0.1169	1.74
CTSD14F-6R9M	6.90	100	0.1704	1.41
CTSD14F-8R8M	8.80	100	0.2391	1.25
CTSD14F-100M	10.0	100	0.2573	1.18
CTSD14F-150M	15.0	100	0.3261	.969
CTSD14F-220M	22.0	100	0.4816	.793
CTSD14F-330M	33.0	100	0.7315	.651
CTSD14F-470M	47.0	100	1.1319	.538
CTSD14F-680M	68.0	100	1.3875	.449
CTSD14F-820M	82.0	100	1.8750	.407
CTSD14F-101M	100	100	2.100	.373
CTSD14F-151M	150	100	3.150	.301
CTSD14F-221M	220	100	4.713	.249
CTSD14F-331M	330	100	7.400	.203
CTSD14F-471M	470	100	10.425	.171
CTSD14F-681M	680	100	12.875	.142
CTSD14F-821M	820	100	17.375	.129
CTSD14F-102M	1000	100	19.750	.117

## CHARACTERISTICS

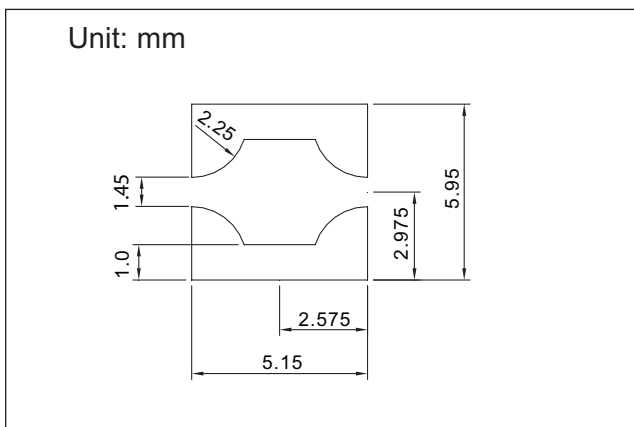
- Description:** SMD (shielded) power inductor
- Applications:** Digital cameras, CD players, cellular phones, PDAs, PCMCIA cards, GPS systems, etc.
- Operating Temperature:**  $-40^{\circ}\text{C}$  to  $+85^{\circ}\text{C}$
- Storage Temperature:**  $-40^{\circ}\text{C}$  to  $+125^{\circ}\text{C}$
- Inductance Tolerance:**  $\pm 20\%$
- Testing:** Tested on a HP4285A at 100 KHz
- Packaging:** Tape & Reel
- Marking:** Parts are marked with inductance code
- Miscellaneous:** RoHS Compliant.
- Additional Information:** Additional electrical & physical information available upon request
- Samples available.** See website for ordering information.

## PHYSICAL DIMENSIONS

Size	A Max.	B Max.	C Max.	D Typ.
mm	5.2	5.2	1.45	1.5
inches	0.205	0.205	0.057	0.059



## PAD LAYOUT



08.14.07